

Spring Cable Reels

Stock&Go



CONDUCTIX
wampfler

Ⓞ DELACHAUX GROUP



DS 508

You make the first move

Stock&Go

- fine graded cable reel sizes
- manifold applications for indoor and outdoor use
- cable installed and connected – sense of unwinding left
- lead time within one week

– these are the Conductix-Wampfler spring cable reels *Stock&Go*.

Use of *Conductix-Wampfler* cable RXP-8 – best choice for high mechanical stress in reeling applications because of lay out and quality!

Spring cable reels *Stock&Go* are suitable for:

- machine and plant construction
- port applications
- steel factory plants
- theater and stage applications
- waste water treatment plants
- ...



Stock&Go:
fast, safe, straight forward!



Spring cable reels *Stock&Go*
on a rail mounted mobile crane



Spring cable reel *Stock&Go*
on a spreader



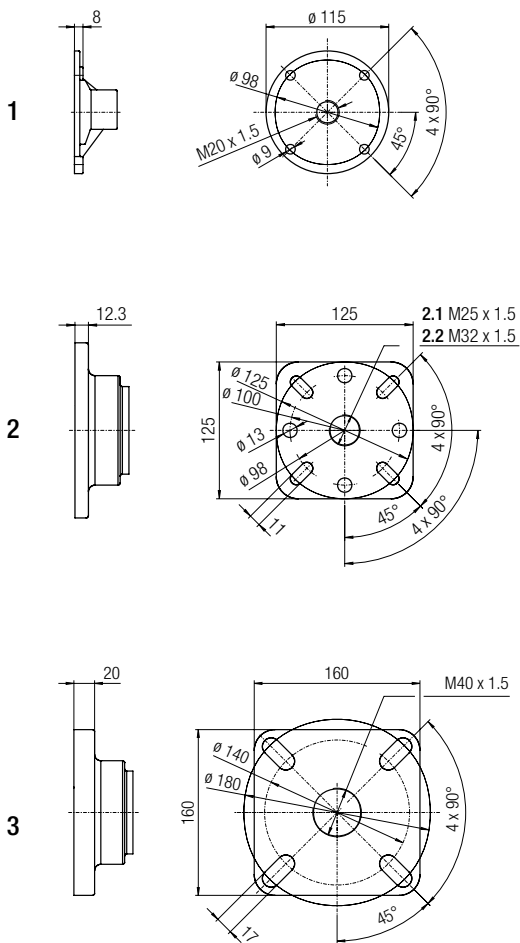
Stock&Go:
one product line -
hundreds of applications



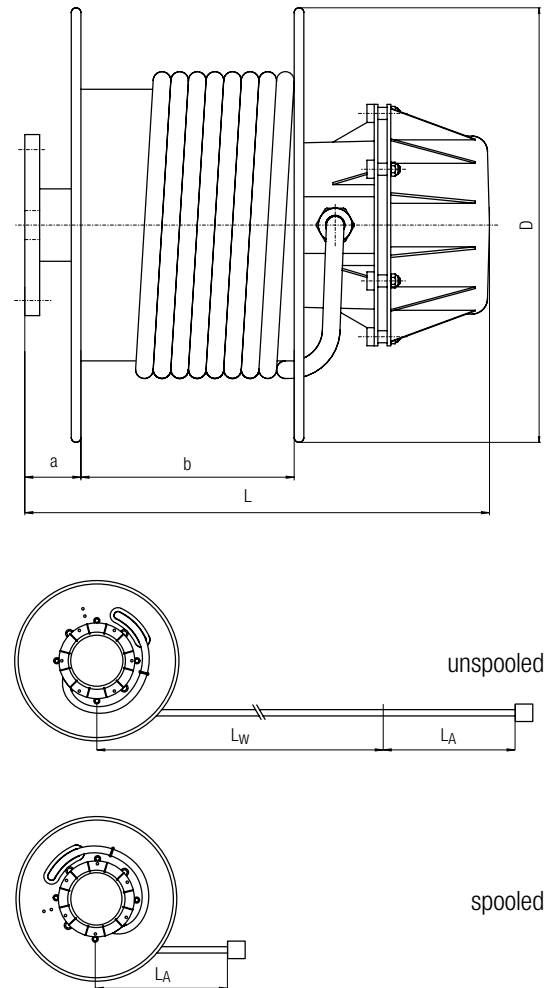
Dimensions & Accessories



Flange Type



Geometry



Accessories

Designation	Lay out	Order -	Description	
Cable mesh grip		A	1036969	The ideal tension relief for cable at the feeding point – safe and simple in handling. The flexible wire netting is guiding the appearing forces on a long part of the outer jacket. Therefore a punctual clamping can be avoided.
		B	1036970	
Roller guide			1018356	The optimal solution for a well defined guidance of the cable. For example the lay down of the cable in a chamfer.

Spring Cable Reel *Stock&Go* *All around sophisticated*

Maximum safety
because of patented
spring cassettes



Optimal corrosion protection even in aggressive atmosphere – side shields made of galvanized steel, drum body powder coated

Undisturbed operation at high durability because of high-grade double sided ball bearings

For high duty cycle,
– springs made of high quality spring steel

Change of sense of rotation
– **simple and safe**, the springs are safely integrated in cassettes

Minimum cable reel dimensions due to application of the optimal cable with lowest outer diameter

Assured operation with standardised slip ring body in rigid plastic housing (up to 47 A at 100% duty cycle and 1000 V)

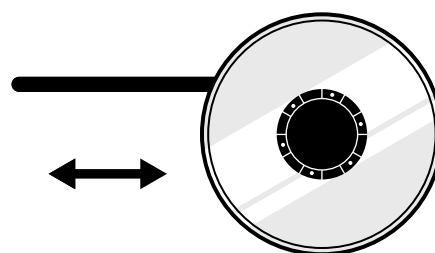


Cable for highest mechanical stress
Conductix-Wampfler cable RXP-8
especially developed for reeling applications, high maximum admissible tensile load, abrasion-resistant, halogen free



Reliable Standard!
High durability due to low abrasion on the brushes and high abrasion-resistant rings

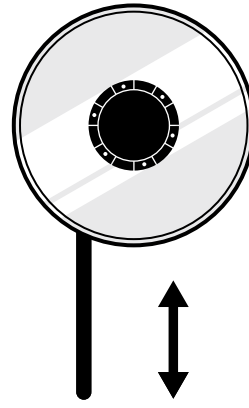
Horizontal Application



Cable cores x [mm ²]	Winding I. L _w [m]	Inact. installation length [m]	Order-Number	D [mm]	L [mm]	b [mm]	a [mm]	Flange type	U _{max} [V]	I _{max} ⁽¹⁾ [A]	Mesh grip	
4 × 2.5	8	1.5	SGR01	280	295	95	48	1	415	25	A	
	18		SGR02									
	28		SGR11	430	406	200	46	2.1				
	37		SGR30					2.2				
	47		SGR50					550				441
7 × 1.5	8	1.5	SGR03	280	405	95	48	1	415	16	A	
	18		SGR12	430	466	200	46	2.1				
	28		SGR14					2.2				
	37		SGR31	460	486	220						
	47		SGR51	550	501	235						
7 × 2.5	8	1.5	SGR04	280	405	95	48	1	415	25	A	
	18		SGR15	430	466	200	46	2.1				
	28		SGR17					2.2				
	37		SGR33	460	486	220						
	47		SGR52	550	501	235						
12 × 1.5	8	1.5	SGR70	385	466	160	46	2.1	415	16	B	
	18		SGR18	430	506	200						
	28		SGR19					2.2				
	37		SGR35	460	526	220						
	47		SGR62	550	541	235						
12 × 2.5	8	1.5	SGR71	385	466	160	46	2.1	415	25	B	
	18		SGR20	430	506	200						
	28		SGR37					2.2				
	37		SGR54	550	541	235						
	47		SGR55									
18 × 1.5	8	1.5	SGR72	385	556	160	46	2.1	415	16	B	
	18		SGR21	430	596	200						
	28		SGR22					2.2				
	37		SGR39	460	616	220						
	47		SGR56	550	631	235						
18 × 2.5	8	1.5	SGR73	385	556	160	46	2.1	415	25	B	
	18		SGR23	430	596	200						
	28		SGR40					2.2				
	37		SGR57	550	631	235						
	47		SGR58									
4 × 4	8	1.5	SGR05	280	405	95	48	1	1000	30	A	
	18		SGR24	430	506	200	46	2.1				
	28		SGR26					2.2				
	37		SGR42	460	526	220						
	47		SGR59	550	541	235						
4 × 6	8	1.5	SGR74	385	466	160	46	2.1	1000	47	A	
	18		SGR27	430	506	200						
	28		SGR28					2.2				
	37		SGR44	460	526	220						
	47		SGR61	550	541	235						

Cable type: Conductix-Wampfler cable RXP-8

⁽¹⁾ max. amperage at complete unspooled cable and 3 loaded conductors. All other loads need to be verified according to the applicable national and international standards



Vertical Application

Cable cores x [mm ²]	Winding l. L _w [m]	Inact. installation length [m]	Order-Number	D [mm]	L [mm]	b [mm]	a [mm]	Flange type	U _{max} [V]	I _{max} ¹ [A]	Mesh grip
4 × 2.5	8	1.5	SGR01	280	295	95	48	1	415	25	A
	17	2.5	SGR02					2.1			
	23	1.5	SGR10	430	406	200	46	2.1			
	28		SGR11								
7 × 1.5	8	1.5	SGR03	280	405	95	48	1	415	16	A
	18		SGR12	430	466	200	46	2.1			
	23		SGR13								
	28		SGR14								
7 × 2.5	8	1.5	SGR04	280	405	95	48	1	415	25	A
	18		SGR15	430	466	200	46	2.1			
	21		SGR16								
	27		SGR32								
12 × 1.5	8	1.5	SGR70	385	466	160	46	2.1	415	16	B
	18		SGR18	430	506	200					
	23		SGR34	460	526	220		2.2			
	26		SGR53	550	541	235					
12 × 2.5	8	1.5	SGR71	385	466	160	46	2.1	415	25	B
	17		SGR36	460	526	220		2.2			
	22		SGR80	550	541	235					
	27		SGR90	650	667	252					
18 × 1.5	8	1.5	SGR72	385	556	160	46	2.1	415	16	B
	17		SGR38	460	616	220		2.2			
	22		SGR81	550	631	235					
	27		SGR91	650	667	252					
18 × 2.5	8	1.5	SGR73	385	556	160	46	2.1	415	25	B
	18		SGR82	550	631	235		2.2			
	22		SGR83								
	27		SGR92								
4 × 4	8	1.5	SGR05	280	405	95	48	1	1000	30	A
	18		SGR24	430	506	200	46	2.1			
	23		SGR25								
	28		SGR41								
4 × 6	8	1.5	SGR74	385	466	160	46	2.1	1000	47	A
	18		SGR27	430	506	200					
	22		SGR43	460	526	220		2.2			
	25		SGR60	550	541	235					

¹ with freely suspending connecting cable as well as auxiliary weights, the winding length is possibly reduced

www.conductix.com

Conductix-Wampfler

Rheinstrasse 27+33
79576 Weil am Rhein
Germany

Hotline

Phone +49 (0) 7621 662-222

Phone +49 (0) 7621 662-0

Fax +49 (0) 7621 662-144

info.de@conductix.com

www.conductix.com

