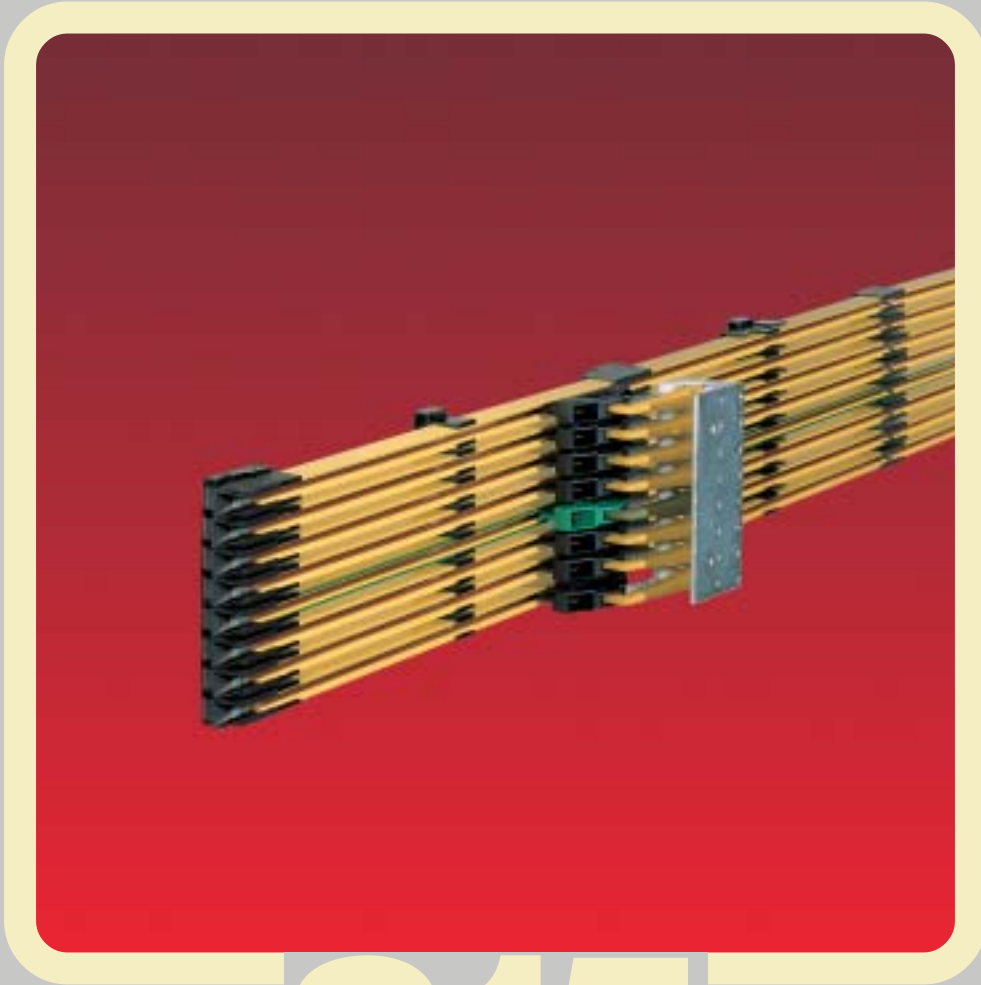


# Energy Supply Systems

SINGLE POLE INSULATED CONDUCTOR RAIL



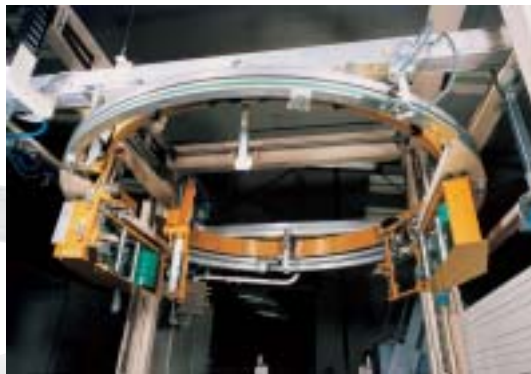
# 815

100 amps

**wampfler**  
solutions for a moving world



*Conductor rail system in a high bay storage*



*Slip ring with conductor rail system in a stretch-foil packing machine*



*Electric overhead monorail with conductor rail - trolley on the way to the high bay storage*

# Table of contents

## Basic information

Description .....	
Technical data .....	

## Conductor rails and accessories

Conductor rails .....	
Rail connectors .....	
Anchor cap .....	
Power feeds .....	
Hanger clamps .....	
End caps for transfer points / End caps .....	
Air gap separating points .....	
End cap sets - complete .....	
Expansion joints .....	

## Current collectors and accessories

Current collectors .....	
Support plates for current collectors .....	
Connection cables .....	
Collector shoe control units .....	
Spare parts .....	
Accessories .....	

## Others

Tools .....	
Curves .....	
System arrangement .....	
Questionnaire .....	
System review .....	
Programme overview .....	
General hints .....	

# Description

## Wampfler "single pole insulated conductor rail" programme 815

The Wampfler insulated conductor rail programme 815 is protected against direct contact and used for indoor installations in overhead mono rails and slip rings. With the rail spacing of 12 mm or 14 mm it is possible to install 12 poles max. on overhead mono rail size 180 and 16 poles max. on size 240. Simple and quick installation was a main design principle.

- 100 Amps
- protected against direct contact
- little space consumption

- installation vertical and horizontal
- simple and quick installation

### CONDUCTOR RAILS

The conductor rails are available in copper (max. nominal current 100 Amps) and steel (max. nominal current 32 Amps) and have a plastic cover insulation. The standard lengths are 4000 and 6000 mm; intermediate lengths are available. The earth conductor insulation cover is marked with a green stripe on both sides over the total length.

### CURVES

Horizontal and vertical curves can be bent in the factory or on site.

### SUPPORT

The conductor rail sections are fitted into the hanger clamps which are constructed as a sliding support. The support spacing is max. 500 mm for straight installations and 400 mm for curved systems.

Depending on the type of plastic hanger clamps they can be screwed or clipped to special runway profiles.

An adaption to specific customer profiles is easy to manufacture.

### RAIL CONNECTION

The single rail sections are connected by a plug-in or a screw connection. Access to the connectors is easy from the front-side of the conductor rail. Every rail joint is protected against contact by an insulation cover.

### POWER FEED

The power feed is made by a power feed connector or a power feed end cap. The power feed connector can be installed instead of the rail connector at any point of the conductor rail system. The connection is made by crimp terminals with a cross section of 1,5 up to 10 mm<sup>2</sup>. Furthermore it is possible to feed in at the end cap for transfer points or separating points. The connection is made by crimp terminals with a cross section of 1,5 up to 6 mm<sup>2</sup>. The crimp terminals are include in the delivery.

### END CAPS / END CAPS FOR TRANSFER POINTS

Long end caps for transfer points are used at switches to enable an easy and smooth traversing. These end caps accommodate a lateral misalignment of  $\pm 3$  mm in all directions.

### END CAPS FOR SEPARATING POINTS and EXPANSION JOINTS

Short end caps can be used to produce air gap separating points or expansion joints. The expansion joints can accommodate an expansion of 8 - 40 mm during temperature change.

### CURRENT COLLECTORS

The compact current collector unit is made of a few parts. Separate fully insulated collector arms are able to move in all directions. Current collectors are easily exchangeable due to the snap-in technique. The earth collector is marked green and is mounted in a leading or lagging position. The collector shoes can be checked without demounting and can easily be replaced. The current collectors can accommodate lateral and vertical misalignments of  $\pm 10$  mm. They transmit a continuous current of max. 50 Amps. Single-head or double-head current collectors mounted on one collector arm are available. 6-, 8- and 10-pole type current collector units are in production. Please contact us for other number of poles.

The collector shoes are made from copper graphite or for long duration applications they are made from pure graphite.

### COLLECTOR SHOE CONTROL UNIT

The wearing of the collector shoes will be checked every time the current collectors passes the unit.

### INSTALLATION

For detailed informationen please refer our installation instruction (MV0815-0001E).

### PROTECTION AGAINST DIRECT CONTACT

See hint on page 3!

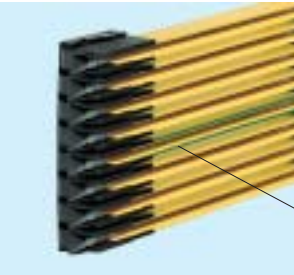
### Remark:

Should the rail connector, power feed, air gap separating point or expansion joint not rest on the track section, hanger clamps are to be positioned on both sides at max. spacing of 200 mm.



# Technical data

## Wampfler "single pole insulated conductor rail" programme 815

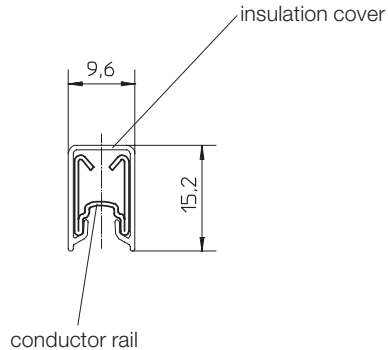
<b>Conductor rail</b>	<b>Copper</b>														
<b>Type</b>	<b>081516</b>														
<b>Nominal current</b> at 100% duty cycle and 35°C	<b>[A]</b>	100													
<b>Cross section of conductor</b>	<b>[mm<sup>2</sup>]</b>	25													
<b>Resistance</b> at 35°C	<b>[Ω/m]</b>	0.000745													
<b>Impedance</b> at 12 mm rail spacing	<b>[Ω/m]</b>	0.000747													
<b>Impedance</b> at 14 mm rail spacing	<b>[Ω/m]</b>	0.000748													
<b>Nominal voltage</b>	<b>[V]</b>	500													
<b>Support spacing max.</b>	<b>[mm]</b>	500 in straight applications; 400/250 in horizontal/vertical curves													
<b>Rail length</b>	<b>[mm]</b>	Standard 4000 and 6000; intermediate lengths are available													
<b>External dimensions</b>	<b>[mm]</b>	9.6 x 15.2													
															
		PE (green stripe)													
<b>Ambient temperature max.</b>		55°C													
<b>Ambient temperature min.</b>		-30°C													
<b>Protection against direct contact</b>		to VDE 0470 part 1 / EN 60 529 / IEC 529 and DIN 57 100 part 410 5.2.1 / 5.3 / VDE 0100 part 410 and DIN / VDE 0100 Teil 726 4 and EN 60 204 part 1													
<b>Protection type</b>		IP 23													
<b>Dielectric strength</b>		to VDE 0303 part 21 / IEC 243	22.4 kV/mm												
<b>Surface resistance</b>		to DIN IEC 112 VDE 0303 T1	600 < CTI												
<b>Combustibility of insulation cover</b>		to UL 94	V - 0												
<b>Air and surface creepage</b>		depending on degree of pollution; surface creepage distance 30 mm to DIN VDE 0110 part 1 + 2													
<b>Chemical resistance of the profile at an ambient temperature of +45°C</b>		<table border="0"> <tr> <td>Benzine</td> <td>resistant</td> <td>Sodium hydroxide 25%</td> <td>resistant</td> </tr> <tr> <td>Mineral oil</td> <td>resistant</td> <td>Hydrochlorid acid</td> <td>resistant</td> </tr> <tr> <td>Grease</td> <td>resistant</td> <td>Sulphuric acid up to 50%</td> <td>resistant</td> </tr> </table>		Benzine	resistant	Sodium hydroxide 25%	resistant	Mineral oil	resistant	Hydrochlorid acid	resistant	Grease	resistant	Sulphuric acid up to 50%	resistant
Benzine	resistant	Sodium hydroxide 25%	resistant												
Mineral oil	resistant	Hydrochlorid acid	resistant												
Grease	resistant	Sulphuric acid up to 50%	resistant												
		The materials of the conductor rail systems are weather resistant and have got a high resistance against certain chemicals. For special applications please contact us. Please be careful with solvents and contact sprays.													

Note: Additional informations on request.

# Conductor rails, Rail connectors

## Insulated conductor rails

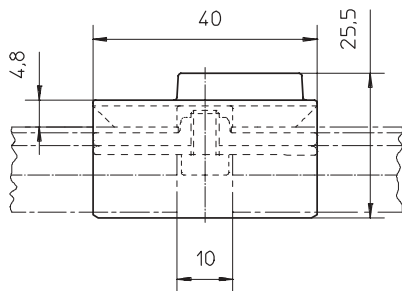
### 081516-...



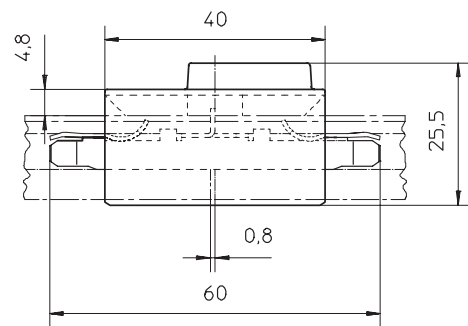
Type	Material	Order-Number		Length [m]	Weight [kg]
		Phase (PH)	Earth (PE)		
Conductor rail 100 Amps	Rail: Copper Insulation: PVC	081516-4x11	081516-4x12	4	1.092
Conductor rail 100 Amps	Rail: Copper Insulation: PVC	081516-6x11	081516-6x12	6	1.638

## Rail connectors

### 081521



### 081526-...



#### Rail connector 081526-...:

- to be used in straight applications only.
- if a connection with a plug-in connector is opened, the connector has to be replaced by a new one!

Type	Order-Number	Weight [kg]
Rail connector	Screw type	0.016
	Plug-in type	0.010

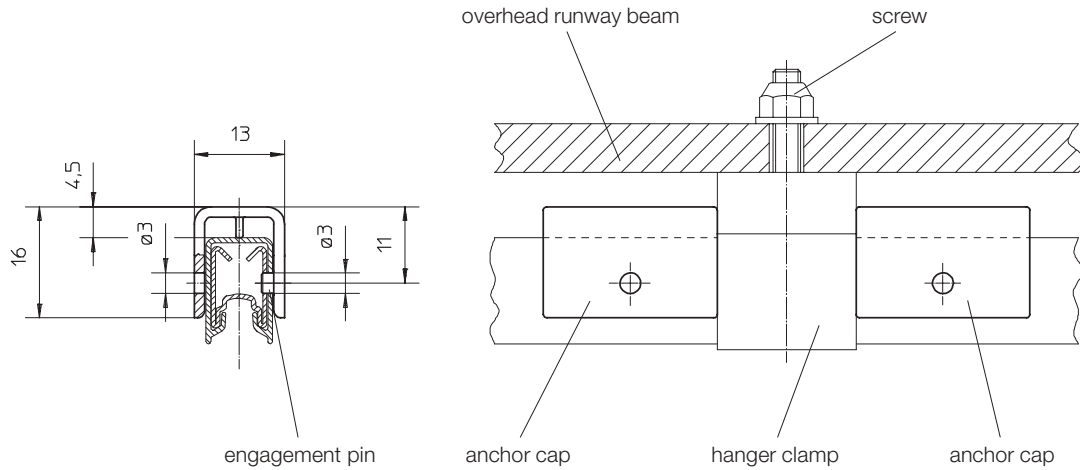
Please note also the mounting instruction MV0815-0001E!

# Anchor cap, Power feeds

## Anchor cap

081531

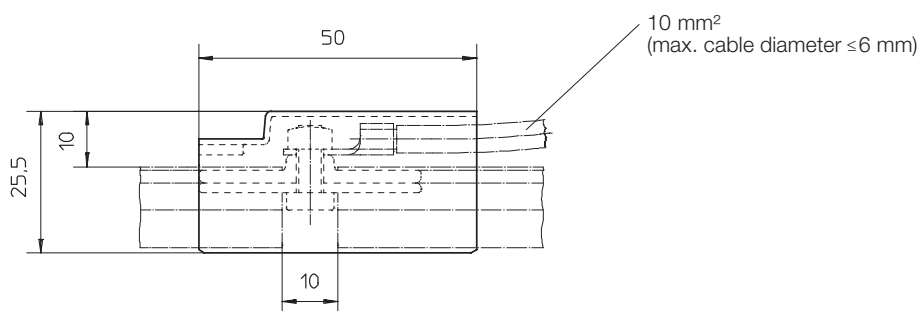
The anchor caps are mounted on both sides of a hanger clamp.  
The hanger clamp must be bolted to the overhead runway beam!



Type	Order-Number	Weight [kg]
Anchor cap	081531	0.002

## Power feeds

081551-...



Type	Order-Number	Cross section [mm²]	Weight [kg]
Power feed	081551-1	1.5 - 2.5	0.016
	081551-2	4 - 6	0.016
	081551-3	5 - 10	0.016

# Hanger clamps

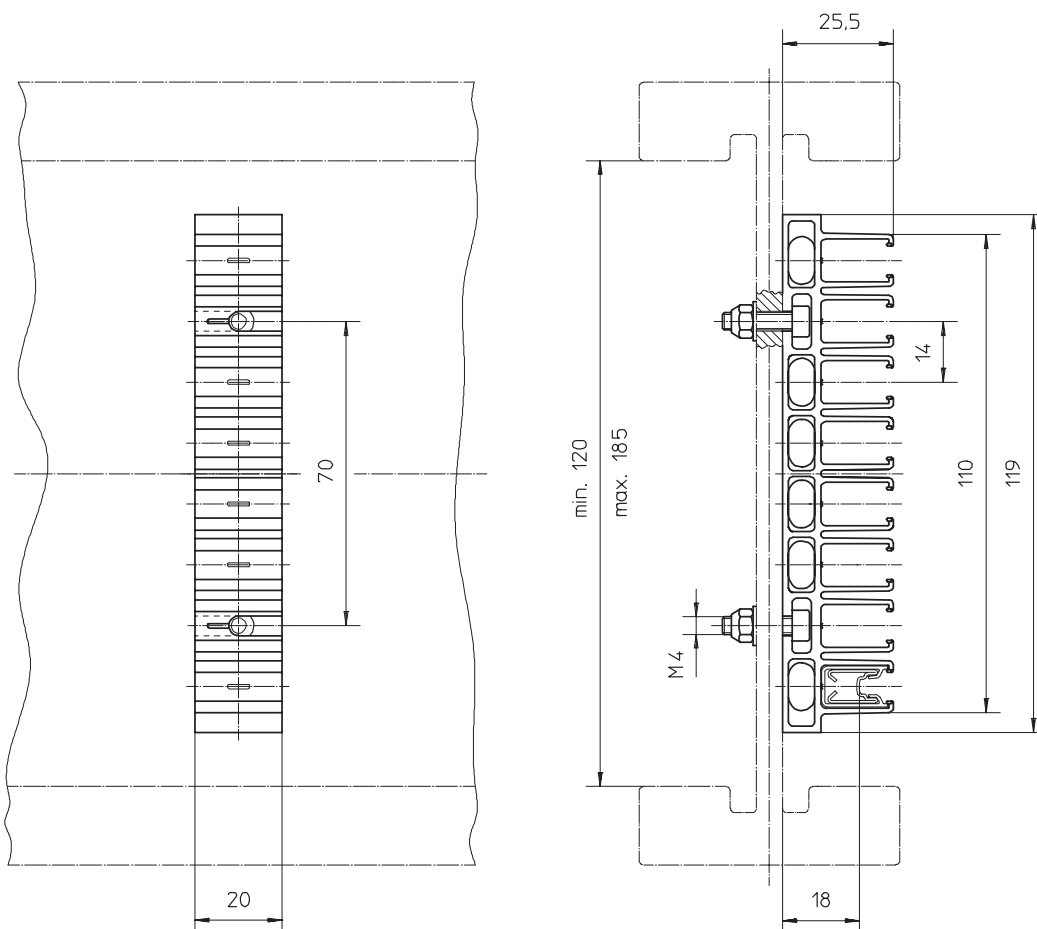
## Standard application screw type

Support spacing max.	for straight installations	for horizontal curves	for vertical curves
[mm]	500	400	250

Each following drawing shows a standard application.  
 Special hanger clamps designed for easy fixing onto mono rail profiles on request.  
 Please ask for a list of available special hanger clamps.

081543-... / 08-S280-...

14 mm rail spacing



Shown is a 8-pole hanger clamp.

Type	Order-Number	Poles	Weight [kg]
Hanger clamp	08-S280-0198	4	0.009
	08-S280-0229	5	0.011
	08-S280-0305	6	0.013
	081543-08x14	8	0.025

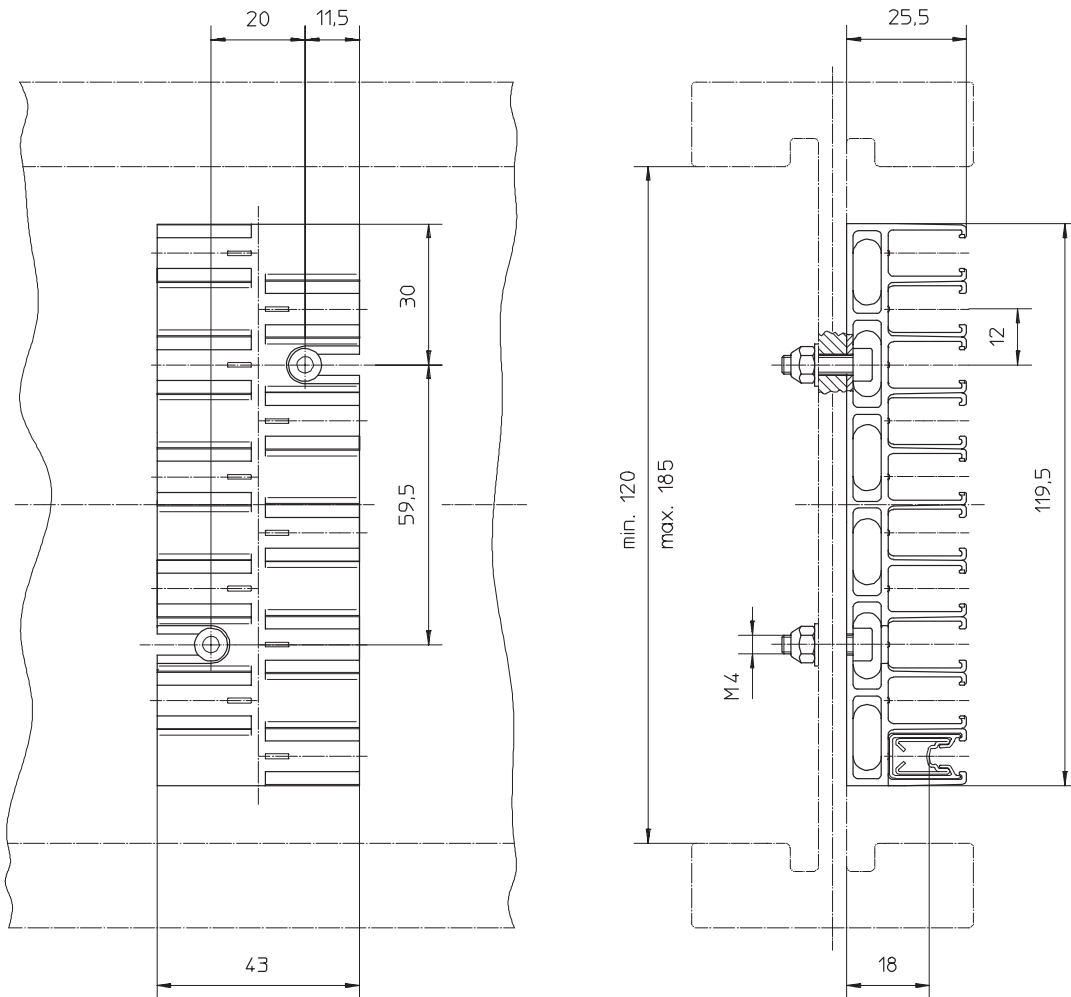


# Hanger clamps

Standard application screw type

081543-...

12 mm rail spacing



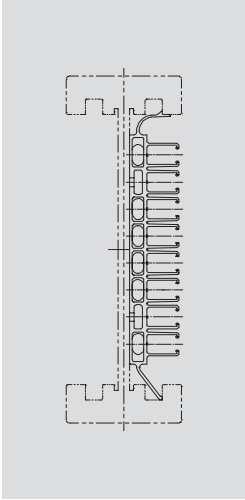
Shown is a 10-pole hanger clamp.

Type	Order-Number	Poles	Weight [kg]
Hanger clamp	081543-10x12	10	0.036

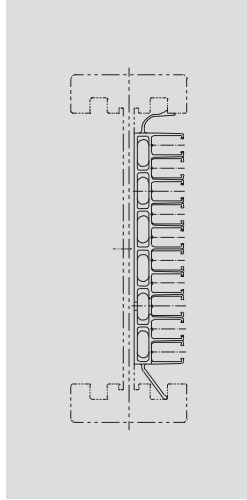
See following a list of press-in hanger clamps (for overhead runway beams).

# Hanger clamps

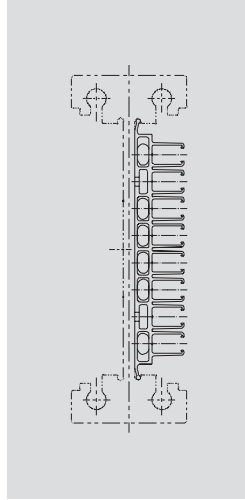
## Application examples



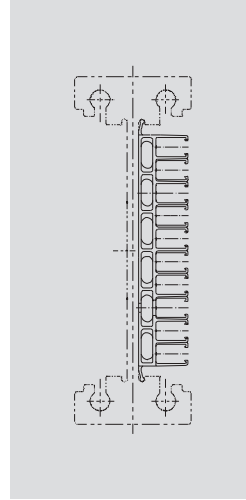
8-poles



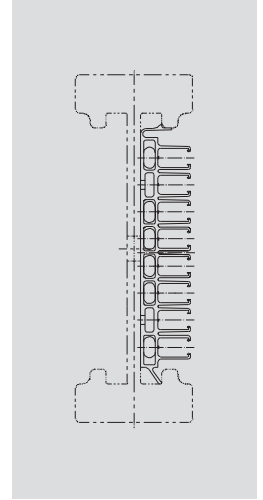
10-poles



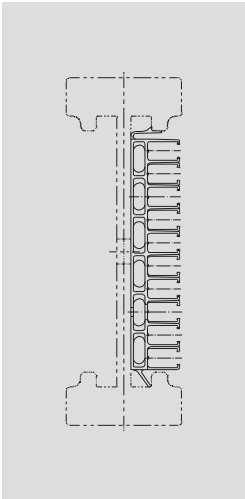
8-poles



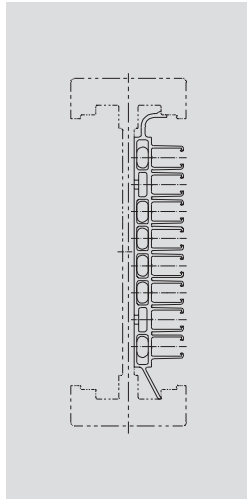
10-poles



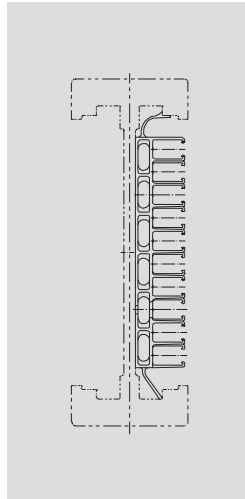
8-poles



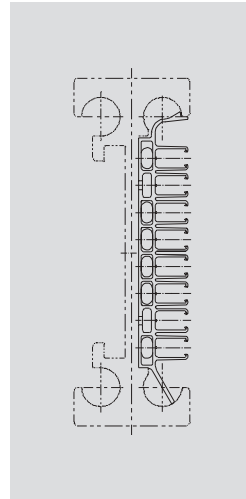
10-poles



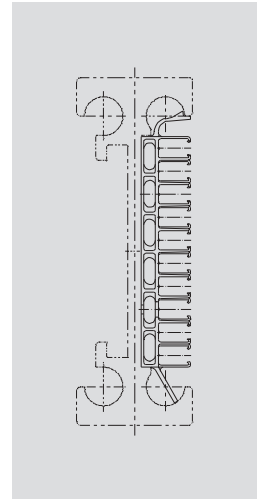
8-poles



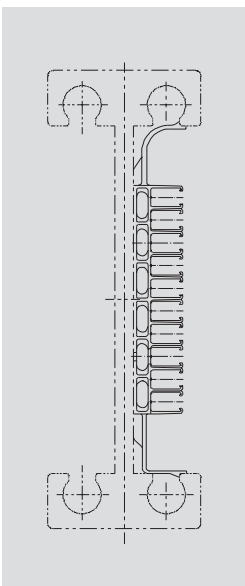
10-poles



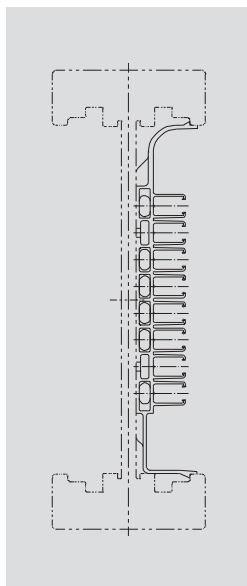
8-poles



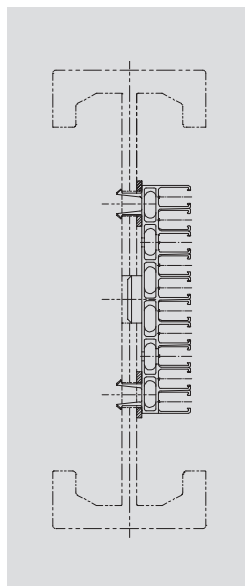
10-poles



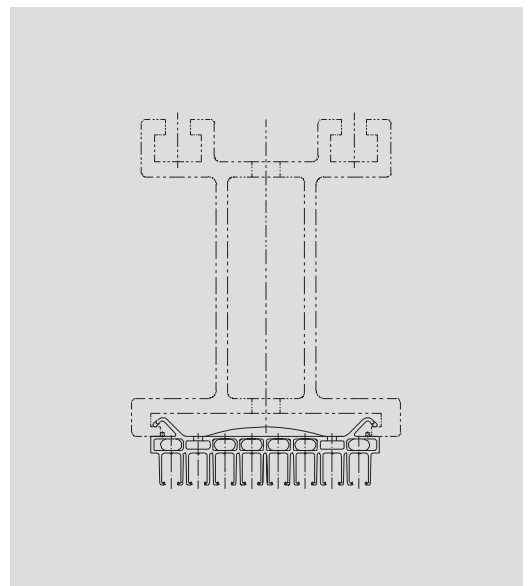
10-poles



8-poles



10-poles

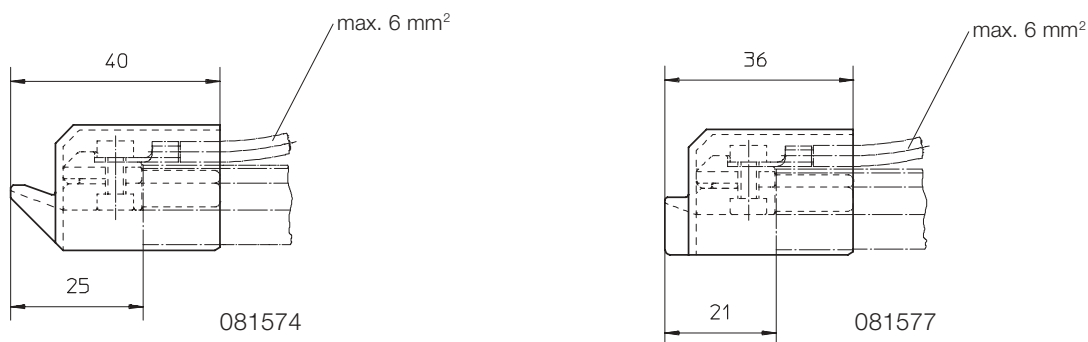


8-poles

# End caps for transfer points/End caps, Air gap separating points

## End caps for transfer points/End caps "long" and "short"

### 081574 / 081577



- they are also used as an **end cap**
- max. misalignment of horizontal and vertical deflections:  $\pm 3$  mm

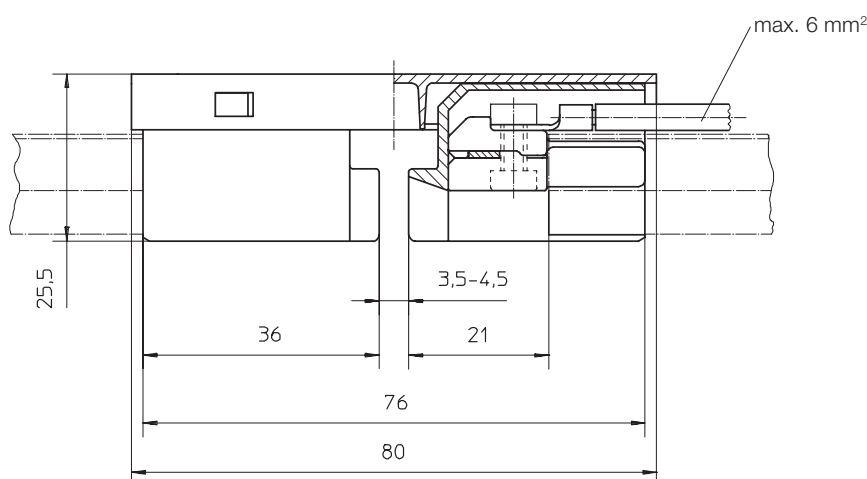
- they are used for air gap separating points

Typ	Order-Number	Cross section [mm <sup>2</sup> ]	Weight [kg]
End caps for transfer points/end caps "long" for 12 mm rail spacing	081574-01x12x0	without power feed	0.016
	081574-01x12x2	1.5 - 2.5	0.018
	081574-01x12x6	4 - 6	0.018
End caps for transfer points/end caps "long" for 14 mm rail spacing	081574-01x14x0	without power feed	0.016
	081574-01x14x2	1.5 - 2.5	0.018
	081574-01x14x6	4 - 6	0.018
End caps for transfer points "short" for 12 mm and 14 mm rail spacing	081577-01x12x0	without power feed	0.016
	081577-01x12x2	1.5 - 2.5	0.018
	081577-01x12x6	4 - 6	0.018

## Air gap separating points

### 081594-...

without expansion

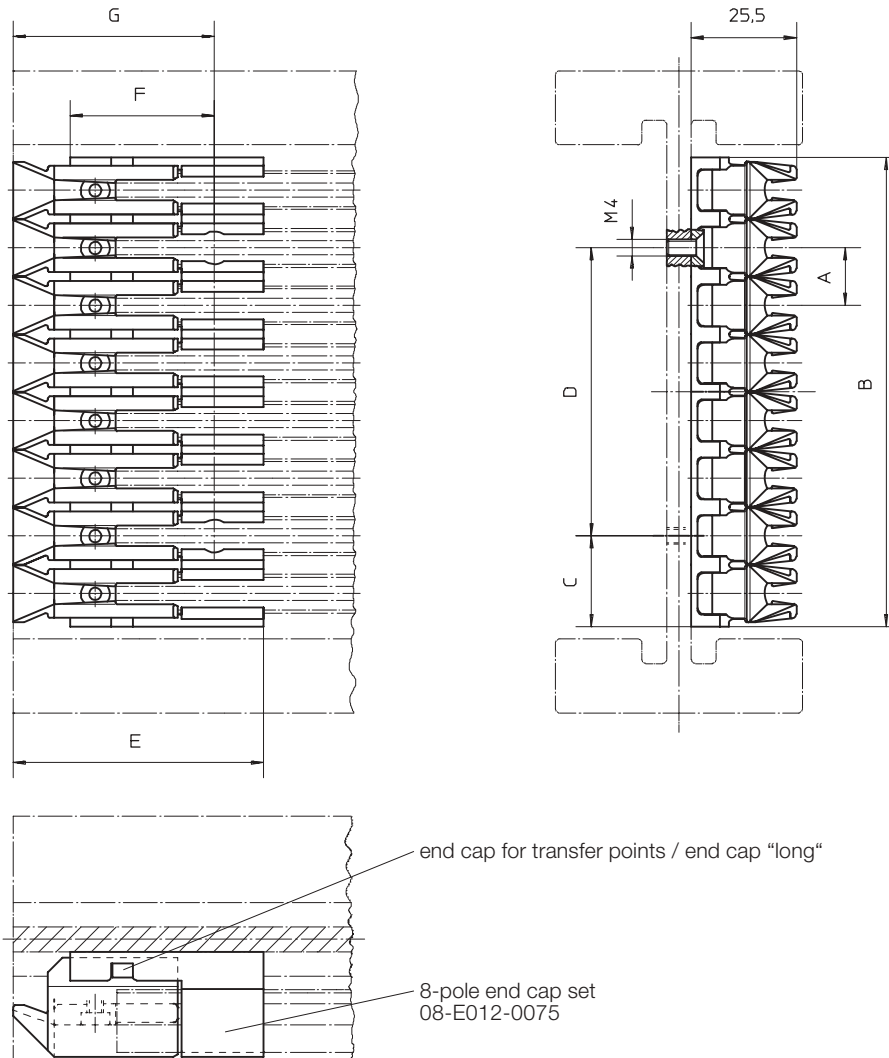


Type	Order-Number	Cross section [mm <sup>2</sup> ]	Weight [kg]	
Air gap separating point	without power feed	081594-1	-	0.035
	with power feed	081594-2	1.5 - 2.5	0.041
		081594-3	4 - 6	0.041

# End cap sets - complete

for transfers (switches, lifters, etc.) / 6- and 8-poles / with and without power feed

081571-...



Shown is the 8-pole "end cap set - complete" without power feed.

8-pole "end cap set - complete" = end cap set + 8 pc. end caps for transfer points / end cap "long".

This end cap set is screwed onto the overhead runway beam section.

The end caps of the individual conductor rail poles are clipped into it.

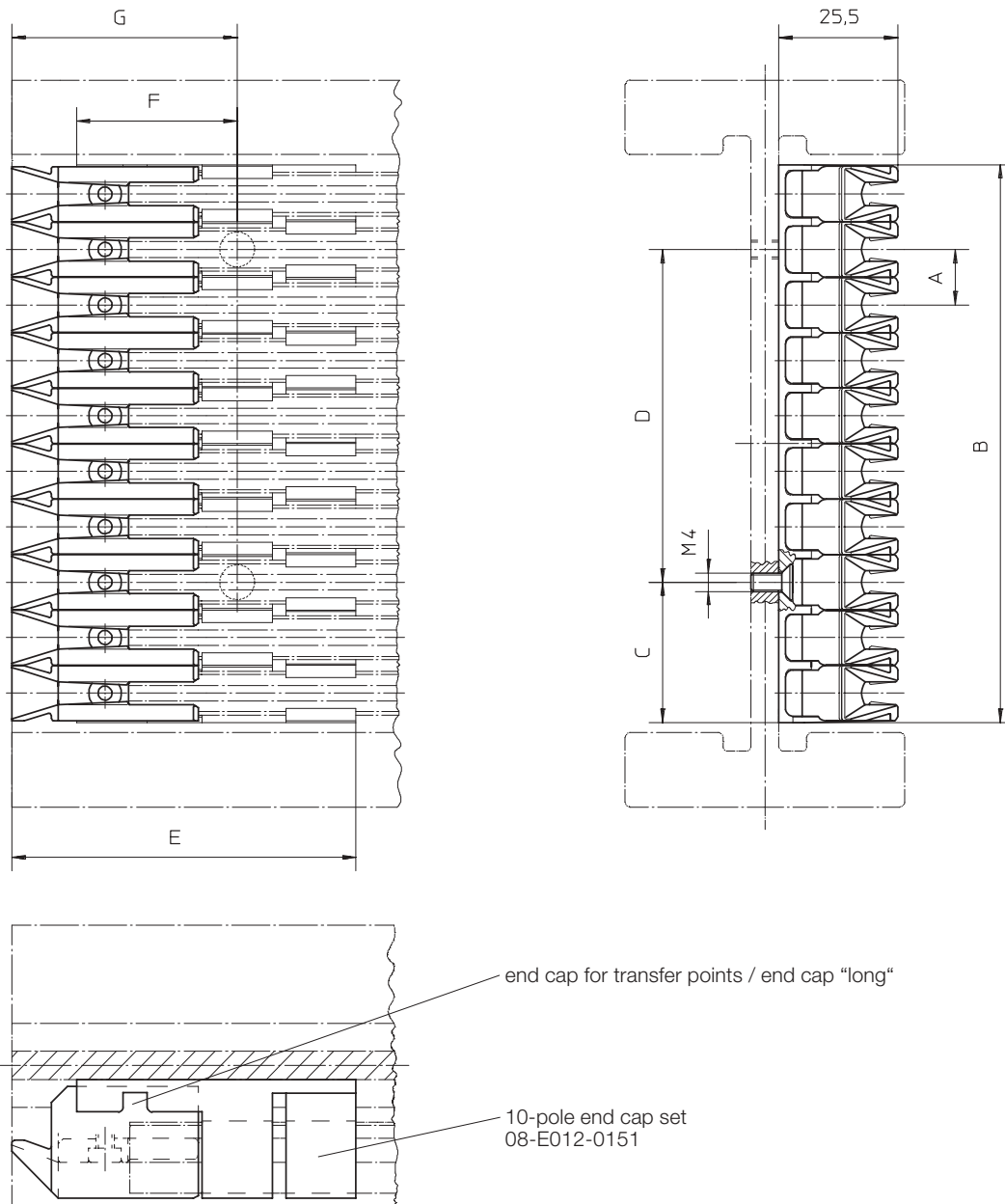
Type	Order-Number	Poles	A [mm]	B [mm]	C [mm]	D [mm]	E [mm]	F [mm]	G [mm]	Weight [kg]	Cross section [mm <sup>2</sup> ]
End cap set - complete 6-pole	081571-06x14x0	6	14	114	22	70	61	35	49	0.140	1) <sup>1)</sup>
	081571-06x14x2									0.142	1.5 - 2.5
	081571-06x14x6									0.145	4 - 6
End cap set - complete 8-pole	081571-08x14x0	8	14	114	22	70	61	35	49	0.172	1) <sup>1)</sup>
	081571-08x14x2									0.182	1.5 - 2.5
	081571-08x14x6									0.185	4 - 6

1) = without power feed

# End cap sets - complete

for transfers (switches, lifters, etc.) / 10-poles / with and without power feed

081571-...



Shown is the 10-pole "end cap set - complete" without power feed.

10-pole "end cap set - complete" = end cap set + 10 pc. end caps for transfer points / end cap "long".

This end cap set is screwed onto the overhead runway beam section.

The end caps of the individual conductor rail poles are clipped into it.

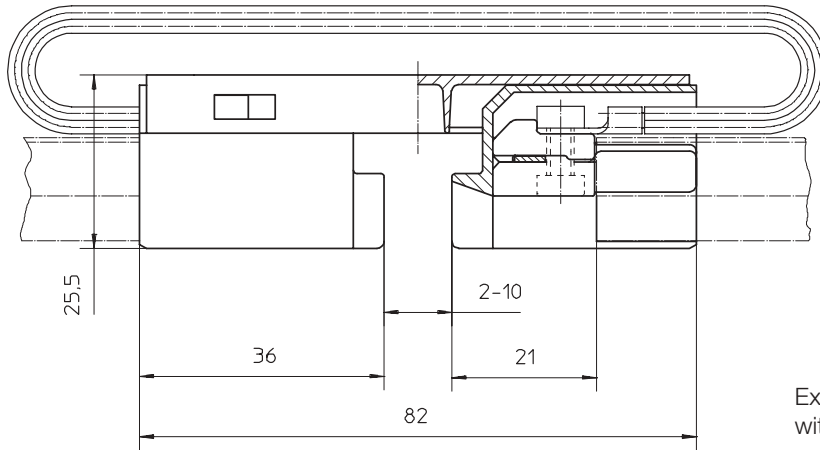
Type	Order-Number	Poles	A [mm]	B [mm]	C [mm]	D [mm]	E [mm]	F [mm]	G [mm]	Weight [kg]	Cross section [mm <sup>2</sup> ]
End cap set - complete 10-pole	081571-10x12x0	10	12	120	30.1	71.4	74	34.5	48.5	0.211	1)
	081571-10x12x2									0.218	1.5 - 2.5
	081571-10x12x6									0.223	4 - 6

1) = without power feed

# Expansion joints

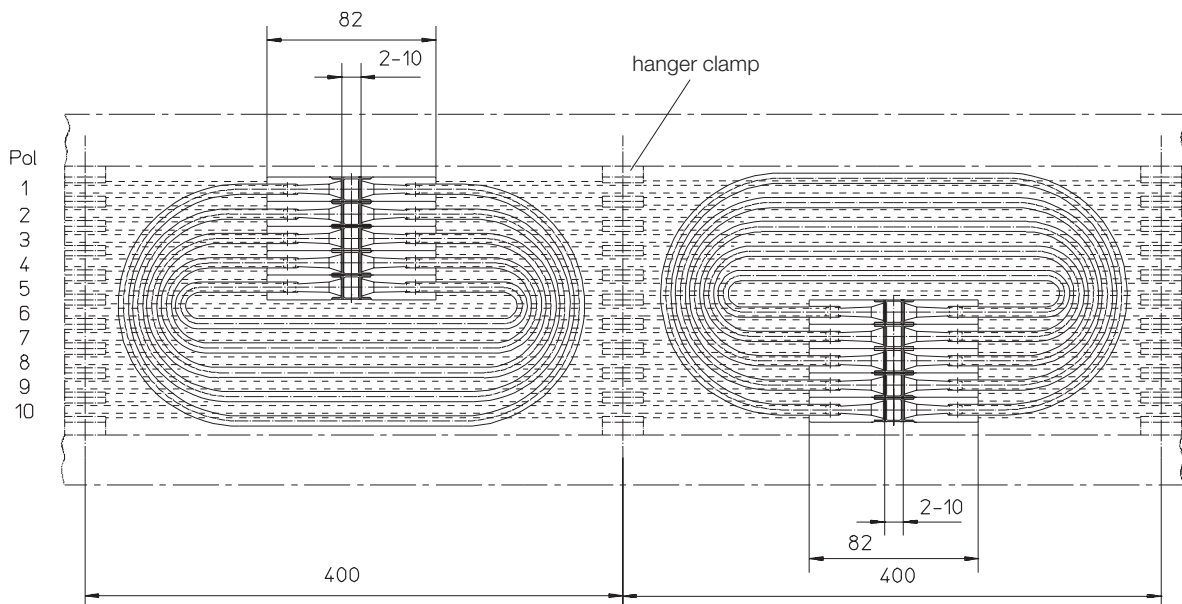
with 8 mm expansion

081561-...



Expansion joints delivered with bridge cables in different lengths.

Type	Order-Number	Expansion range [mm]	Cross section [mm <sup>2</sup> ]	Number of expansion gaps	Weight [kg]
Expansion joint	081561-311	8	6	1	0.050



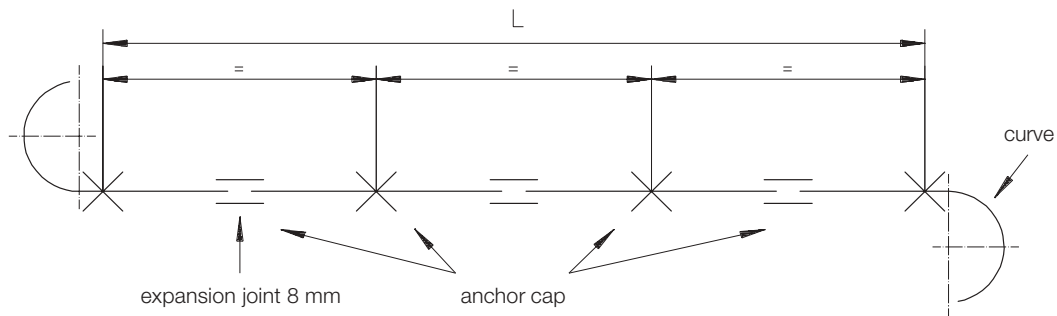
Shown is the 10-poles expansion joint.

Type	Order-Number	Expansion range [mm]	Cross section [mm <sup>2</sup> ]	Poles	Number of expansion gaps
Expansion joint	081561-381	8	6	8	1
	081561-391	8	6	9	1
	081561-301	8	6	10	1

# Expansion joints

with 8 mm expansion / number of expansion joints / air gap adjustment

## Calculation of the number of expansion joints



L = Length* [m]	$\Delta t$ 10	$\Delta t$ 20	$\Delta t$ 30	$\Delta t$ 40	$\Delta t$ 50	$\Delta t$ 60
10	-	-	1	1	2	2
20	-	1	2	2	3	3
30	1	2	2	3	4	4
40	1	2	3	4	5	6
50	2	3	4	5	6	7
60	2	3	4	6	7	8

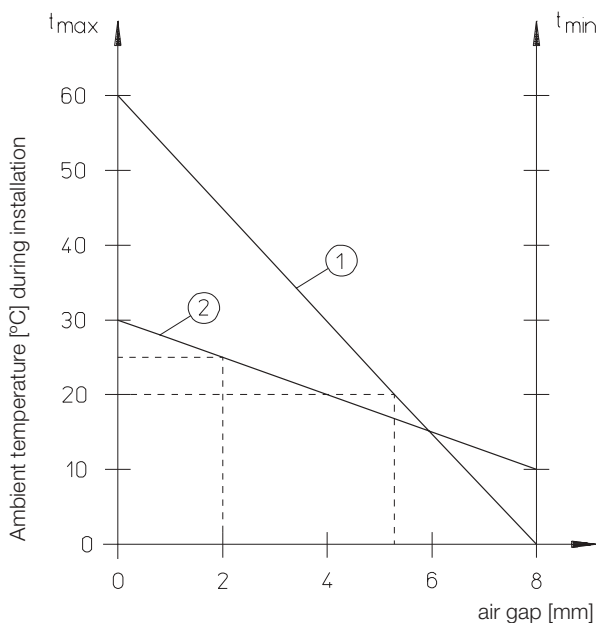
$\Delta t$  in °C

\* = track length between end cap sets, curves (with 90° ... 180° curves and  $R \leq 1000$  mm the curves act as anchor points) or other components of the installation, which act as anchor points.

$$\Delta t = \Delta t_a + \Delta t_{\text{rail}}$$

$\Delta t_a$  = temperature range of the ambient temperature  
 $\Delta t_{\text{rail}}$  = temperature rise of the conductor rail  
 for 40% duty cycle  $\Delta t_{\text{rail}} = 10^\circ\text{C}$   
 for 65% duty cycle  $\Delta t_{\text{rail}} = 20^\circ\text{C}$   
 for 100% duty cycle  $\Delta t_{\text{rail}} = 30^\circ\text{C}$

## Air gap adjustment of the expansion joints



### Instruction:

$t_{\text{min}}$  = lowest temperature that occurs in the respective area of application  
 $t_{\text{max}}$  = highest operational temperature that occurs in the respective area of application

1. Draw a connecting line from  $t_{\text{min}}$  to  $t_{\text{max}}$
2. Mark the ambient temperature during operation horizontally
3. Draw a line from the intersection vertically down and read the air gap to be set

### Examples:

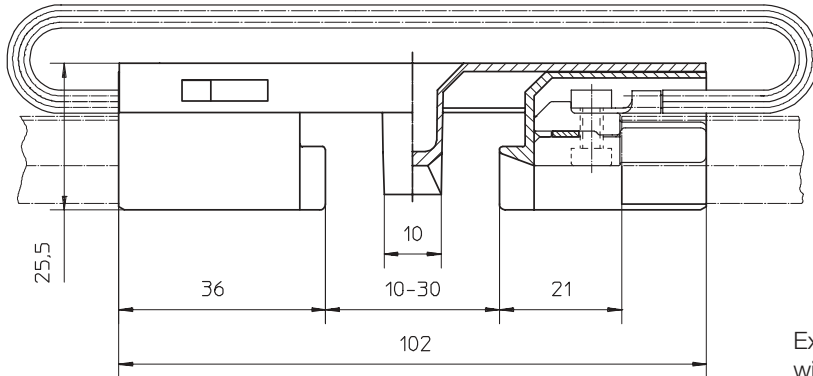
- ① = Temperature range from 0°C to +60°C.  
 Ambient temp. during installation: +20°C  
 Air gap: ca. 5 mm
- ② = Temperature range from +10°C bis +30°C.  
 Ambient temp. during installation: +25°C  
 Air gap: ca. 2 mm

# Expansion joints

with 20 mm or 40 mm expansion

**081562-...**

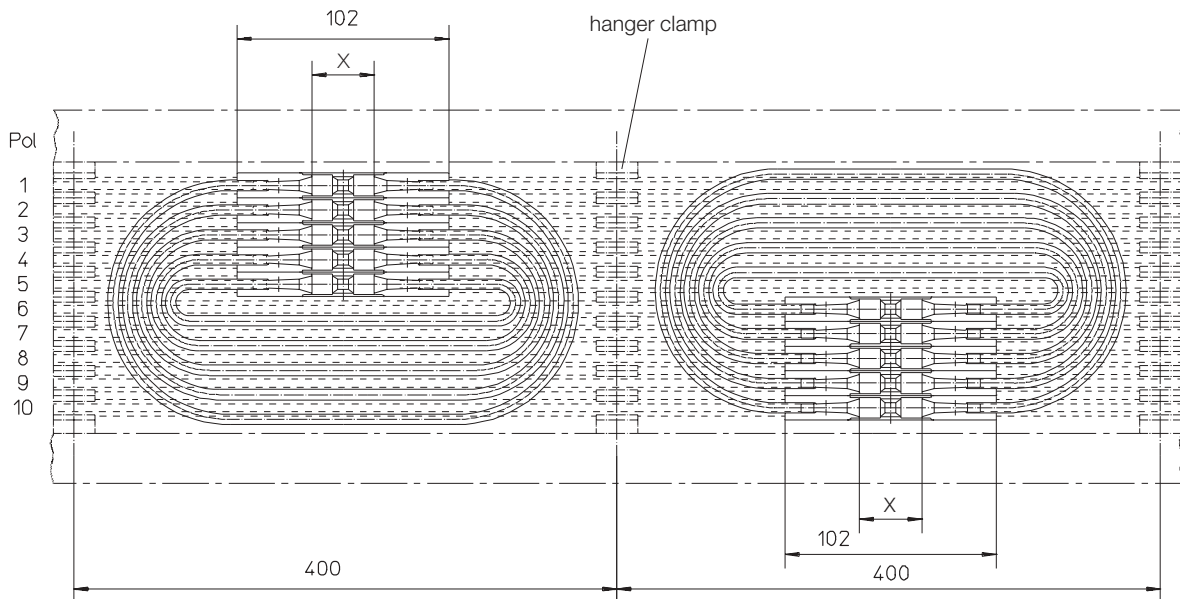
use with double current collector 081508-... / 081509-... only



Expansion joints delivered with bridge cables in different lengths.

Type	Order-Number	Expansion range [mm]	Cross section [mm <sup>2</sup> ]	Number of expansion gaps	Weight [kg]
Expansion joint	081562-311	20	6	1	0.052

The expansion joint with 40 mm expansion range consists of 2 sets of 20 mm expansion joints!



X = 10 - 30 mm

Shown is the 10-poles expansion joint with 20 mm expansion range.

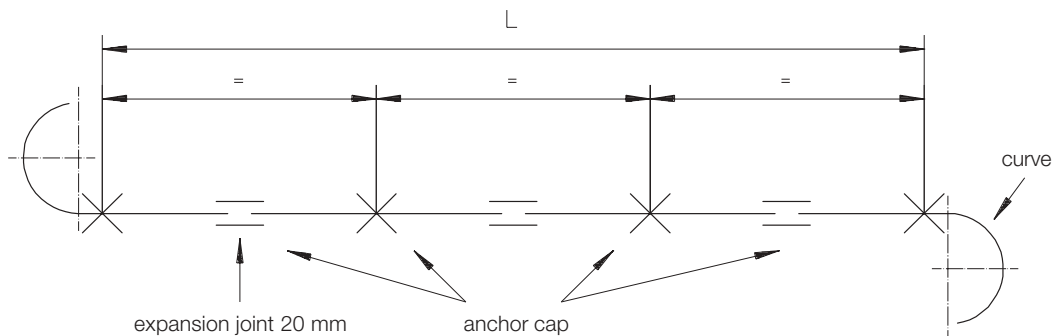
Type	Order-Number	Expansion range [mm]	Cross section [mm <sup>2</sup> ]	Poles	Number of expansion gaps
Expansion joint	081562-361	20	6	6	1
	081562-381	20	6	8	1
	081562-391	20	6	9	1
	081562-301	20	6	10	1
	081562-362	40	6	6	2
	081562-382	40	6	8	2
	081562-392	40	6	9	2
	081562-302	40	6	10	2



# Expansion joints

with 20 mm or 40 mm expansion / number of expansion joints / air gap adjustment

## Calculation of the number of expansion joints



L = Length* [m]	$\Delta t$ 10	$\Delta t$ 20	$\Delta t$ 30	$\Delta t$ 40	$\Delta t$ 50	$\Delta t$ 60
10	-	-	1	1	1	1
20	-	1	1	1	1	1
30	1	1	1	1	2	2
40	1	1	1	2	2	3
50	1	1	2	2	3	3
60	1	1	2	3	3	4

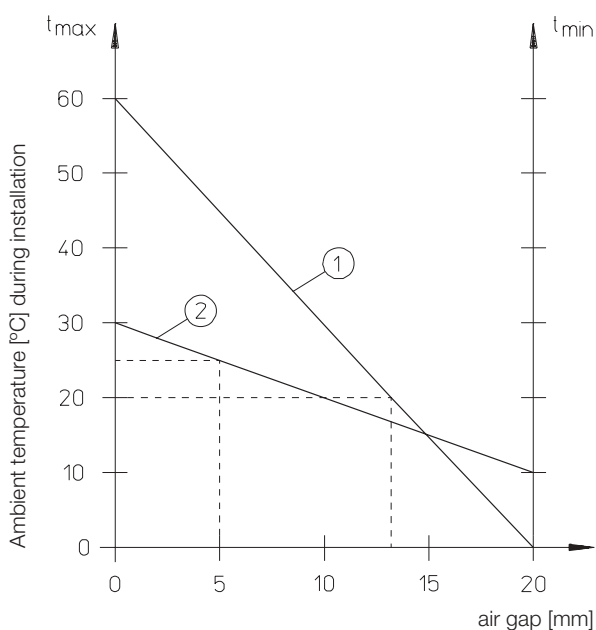
$\Delta t$  in °C

\* = track length between end cap sets, curves (with 90° ... 180° curves and  $R \leq 1000$  mm the curves act as anchor points) or other components of the installation, which act as anchor points.

$$\Delta t = \Delta t_a + \Delta t_{\text{rail}}$$

$\Delta t_a$  = temperature range of the ambient temperature  
 $\Delta t_{\text{rail}}$  = temperature rise of the conductor rail  
 for 40% duty cycle  $\Delta t_{\text{rail}} = 10^\circ\text{C}$   
 for 65% duty cycle  $\Delta t_{\text{rail}} = 20^\circ\text{C}$   
 for 100% duty cycle  $\Delta t_{\text{rail}} = 30^\circ\text{C}$

## Air gap adjustment of the expansion joints



### Instruction:

$t_{\text{min}}$  = lowest temperature that occurs in the respective area of application  
 $t_{\text{max}}$  = highest operational temperature that occurs in the respective area of application

1. Draw a connecting line from  $t_{\text{min}}$  to  $t_{\text{max}}$
2. Mark the ambient temperature during operation horizontally
3. Draw a line from the intersection vertically down and read the air gap to be set

### Examples:

① = Temperature range from 0°C to +60°C.  
 Ambient temp. during installation: + 20°C  
 Air gap: ca. 13 mm

② = Temperature range from +10°C bis +30°C.  
 Ambient temp. during installation: + 25°C  
 Air gap: ca. 5 mm

# Current collectors

## Installation hints

It must be ensured that the current collector central axis is mounted exactly onto the centre axis of the conductor rail and the specified installation distance between the arm and the sliding surface is strictly observed.

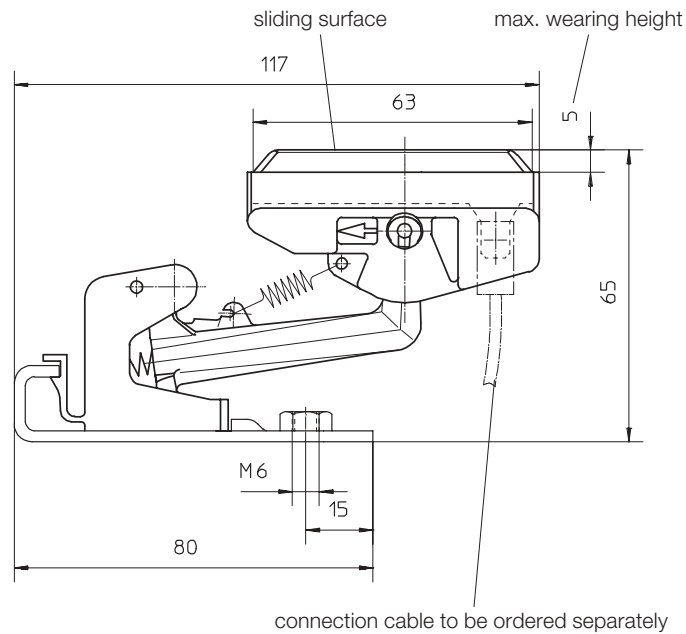
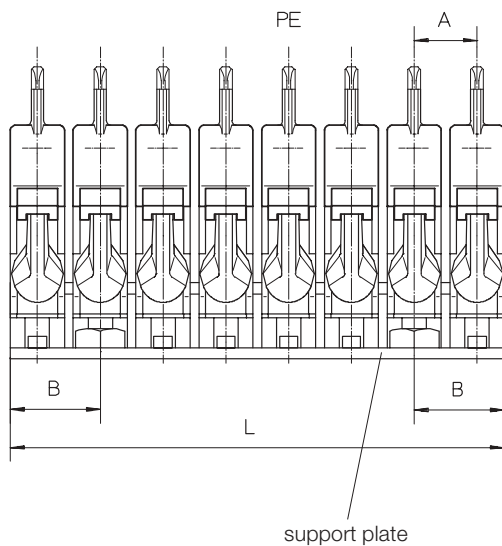
The connection cables must be highly flexible in order to guarantee complete freedom of functioning of the current collectors and they must be secured with a cable binder so that no tensile or torsional forces are transmitted onto the current collector head. The table below indicates the colours of the current collector components for 8 and 10 pole current collectors, phase (PH) as well as protection earth (PE).

Poles	Rail spacing [mm]	Phase (PH)		Earth (PE)	
		Current collector arm	Collector shoe insul.	Current collector arm	Collector shoe insul.
8	14	Yellow	Black	Green	Green
10	12	Yellow	Grey	Green	Turquoise

## Current collector units type 16 Amps with 63 mm shoe length

081506-...

with terminal lug connection



Collector shoe material: **pure graphite**

It must be guaranteed that the connection cables cannot exert any tension, pressure or torsion on the current collectors!

Movement horizontal:  $\pm 10$  mm  
vertical:  $\pm 10$  mm

Visual difference of the current collector parts: see above table!

Contact pressure: 6 N

Type	A [mm]	B [mm]	L [mm]	Amps	Poles	Order-Number	Weight [kg]
Current collector unit with PE	14	6	54	16	4	081506-0443	0.195
	14	6	82	16	6	081506-0643	0.275
	14	20	110	16	8	081506-0843	0.370
	12	25	120	16	10	081506-1023	0.445
Current collector unit without PE	14	6	54	16	4	081506-0441	0.195

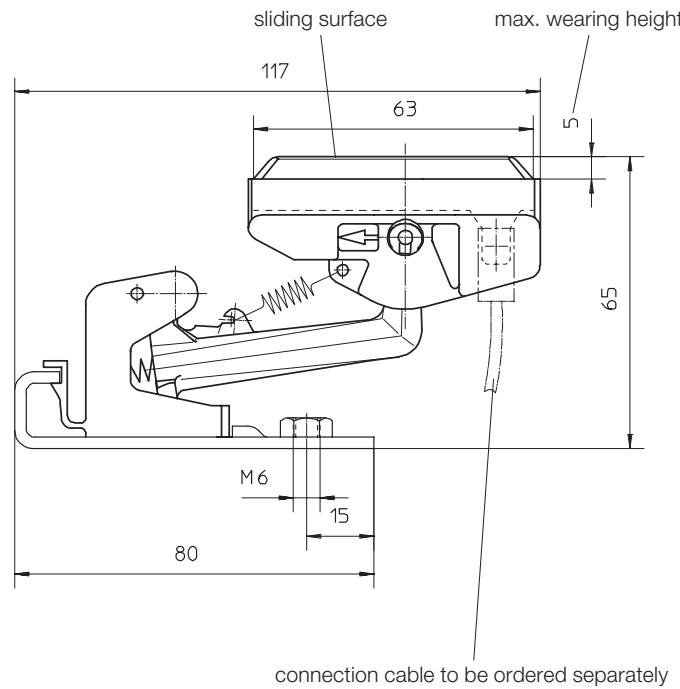
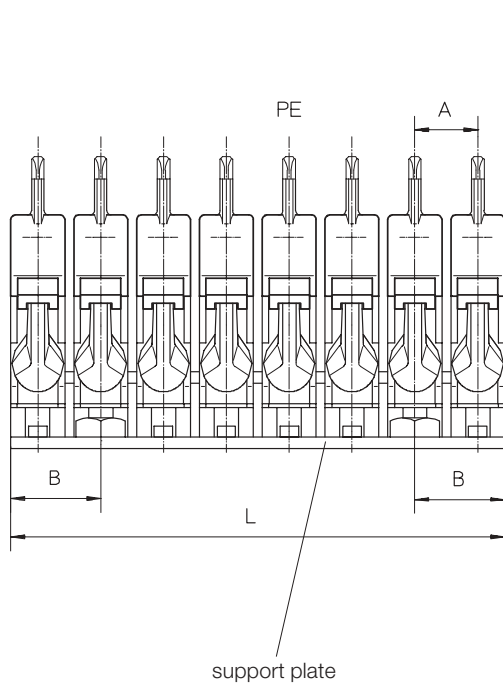
Current collectors (single pole) and support plates: see pages 20 and 21!

# Current collectors

Current collector units type 35 Amps with 63 mm shoe length

081507-...

with terminal lug connection



Collector shoe material: **copper graphite**

It must be guaranteed that the connection cables cannot exert any tension, pressure or torsion on the current collectors!

Movement horizontal:  $\pm 10$  mm  
vertical:  $\pm 10$  mm

Visual difference of the current collector parts: see page 16!

Contact pressure: 6 N

Type	A [mm]	B [mm]	L [mm]	Amps	Poles	Order-Number	Weight [kg]
Current collector unit with PE	14	6	54	35	4	081507-0443	0.220
	14	6	82	35	6	081507-0643	0.310
	14	20	110	35	8	081507-0843	0.420
	12	25	120	35	10	081507-1023	0.505
Current collector unit without PE	14	6	54	35	4	081507-0441	0.220

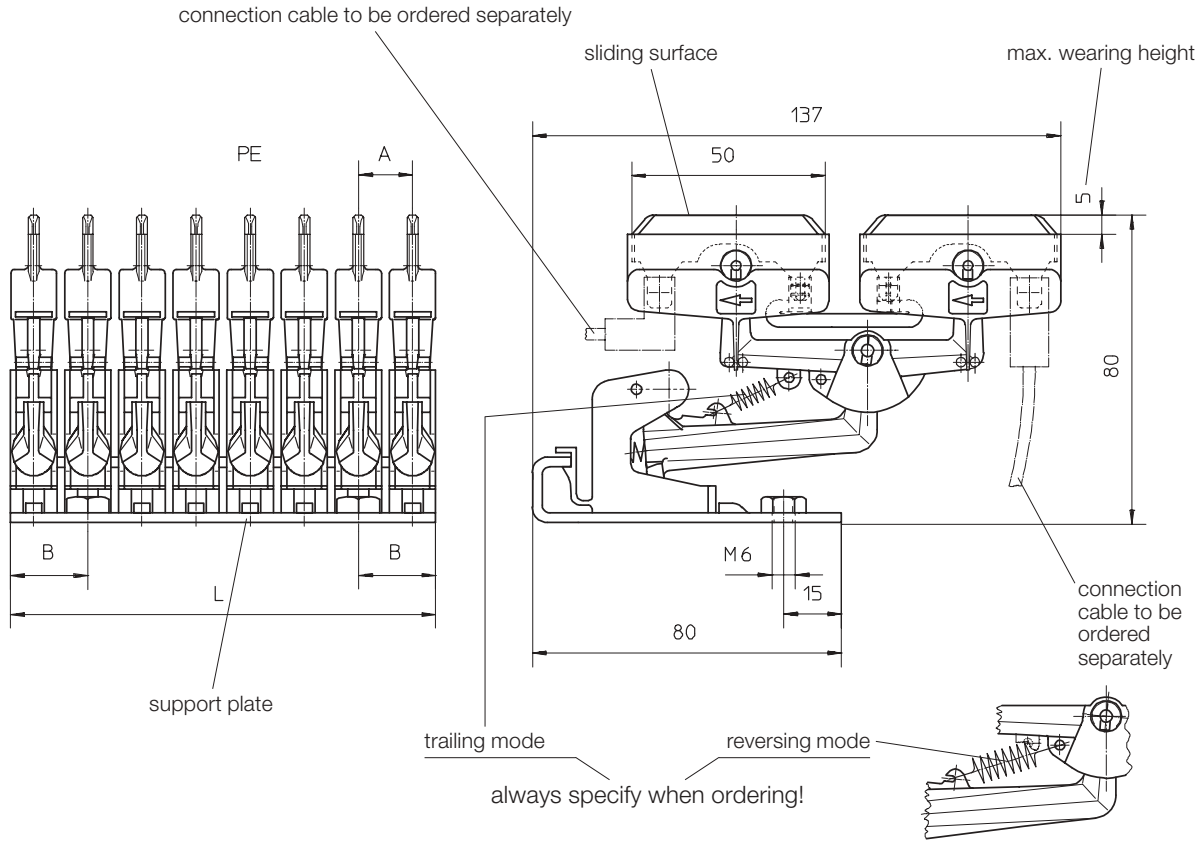
Current collectors (single pole) and support plates: see page 21!

# Current collectors

Double current collector units type 35 Amps with 2 x 50 mm shoe length

081508-...

with 2 terminal lug connections



Collector shoe material: **pure graphite**

It must be guaranteed that the connection cables cannot exert any tension, pressure or torsion on the current collectors!

Movement horizontal:  $\pm 10$  mm  
vertical:  $\pm 10$  mm

Visual difference of the current collector parts: see page 16!

Contact pressure: 6 N

Type	A [mm]	B [mm]	L [mm]	Amps	Poles	Order-Number		Weight [kg]
						Trailing-Mode	Reversing-Mode	
Double current collector unit with PE	14	6	82	35	6	081508-0643	081508-06435	0.380
	14	20	110	35	8	081508-0843	081508-08435	0.510
	12	25	120	35	10	081508-1023	081508-10235	0.580
Double current collector unit without PE	14	20	110	35	8	081508-0841	081508-08415	0.510

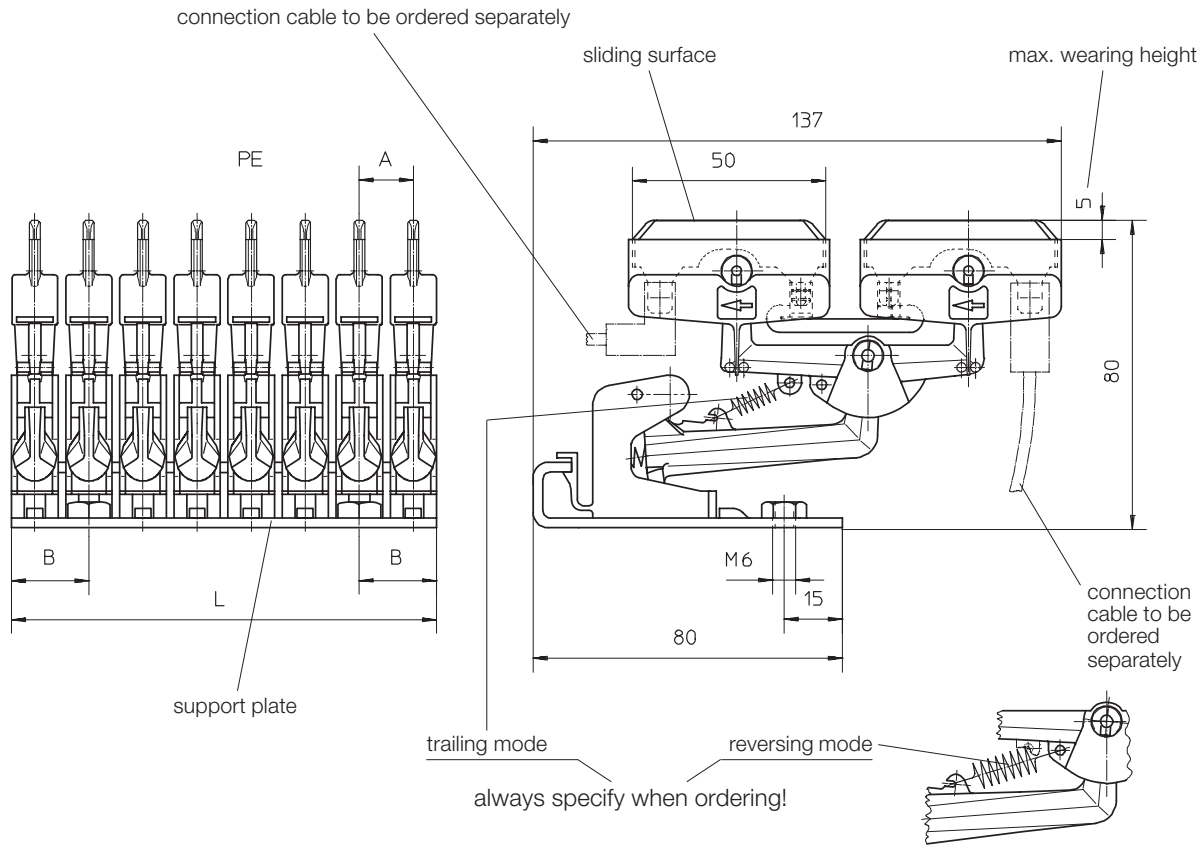
Current collectors (single pole) and support plates: see pages 20 and 21!

# Current collectors

Double current collector units type 50 Amps with 2 x 50 mm shoe length

081509-...

with 2 terminal lug connections



Collector shoe material: **copper graphite**

It must be guaranteed that the connection cables cannot exert any tension, pressure or torsion on the current collectors!

Movement horizontal:  $\pm 10$  mm  
vertical:  $\pm 10$  mm

Visual difference of the current collector parts: see page 16!

Contact pressure: 6 N

Type	A [mm]	B [mm]	L [mm]	Amps	Poles	Order-Number		Weight [kg]
						Trailing-Mode	Reversing-Mode	
Double current collector unit with PE	14	6	82	50	6	081509-0643	081509-06435	0.430
	14	20	110	50	8	081509-0843	081509-08435	0.575
	12	25	120	50	10	081509-1023	081509-10235	0.700
Double current collector unit without PE	14	20	110	50	8	081509-0841	081509-08415	0.575
	12	25	120	50	10	-	081509-10215	0.700

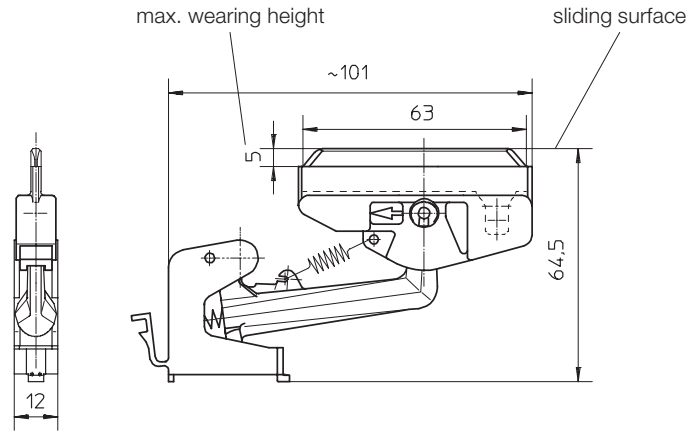
Current collectors (single pole) and support plates: see page 21!

# Current collectors

Current collectors type 16 Amps with 63 mm shoe length

081506-...

single pole; with terminal lug connection



Collector shoe material: **pure graphite**

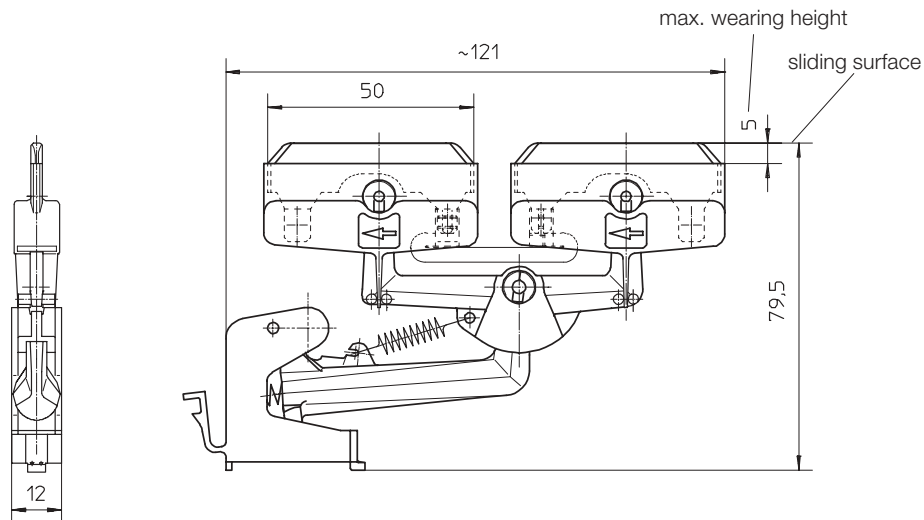
Type	Order-Number	for rail spacing [mm]	Weight [kg]
Current collector	16 A, PH	081506-0121	0.026
	16 A, PE	081506-0122	0.026
	16 A, PH	081506-0141	0.026
	16 A, PE	081506-0142	0.026

Visual difference of the current collector parts: see page 16!

Double current collectors type 35 Amps with 2 x 50 mm shoe length

081508-...

single pole; with 2 terminal lug connections



Collector shoe material: **pure graphite**

shown is "reversing mode"

Type	Order-Number		for rail spacing [mm]	Weight [kg]	
	Trailing-Mode	Reversing-Mode			
Double current collector	35 A, PH	081508-0121	081508-01215	12	0.042
	35 A, PE	081508-0122	081508-01225	12	0.042
	35 A, PH	081508-0141	081508-01415	14	0.042
	35 A, PE	081508-0142	081508-01425	14	0.042

Visual difference of the current collector parts: see page 16!

# Current collectors and accessories

## Current collectors type 35 Amps with 63 mm shoe length

**081507-...**

single pole; with terminal lug connection

Collector shoe material: **copper graphite**

sketch see 081506-... (page 20)

Type	Order-Number	for rail spacing [mm]	Weight [kg]	
Current collector	35 A, PH	081507-0121	12	0.032
	35 A, PE	081507-0122	12	0.032
	35 A, PH	081507-0141	14	0.032
	35 A, PE	081507-0142	14	0.032

Visual difference of the current collector parts: see page 16.

## Double current collectors type 50 Amps with 2 x 50 mm shoe length

**081509-...**

single pole; with 2 terminal lug connections

Collector shoe material: **copper graphite**

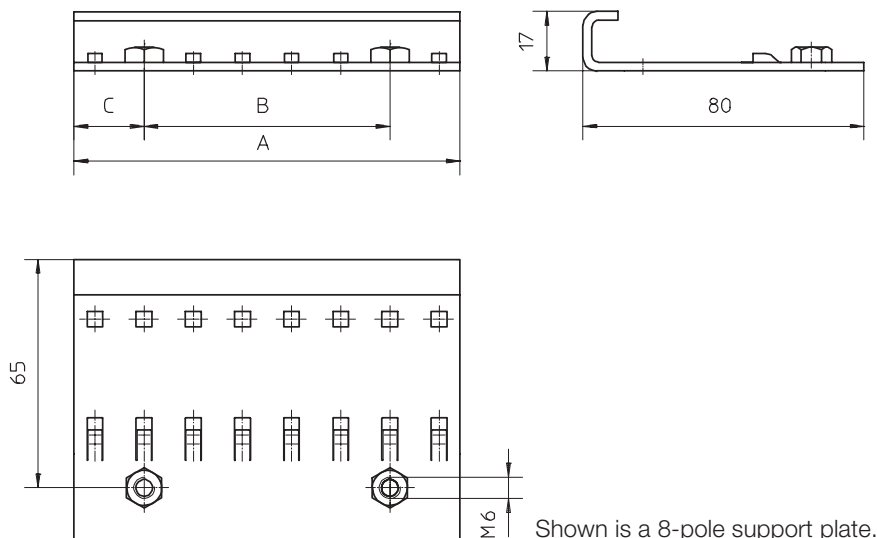
sketch see 081508-... (page 20)

Type	Order-Number	Order-Number		for rail spacing [mm]	Weight [kg]
		Trailing-Mode	Reversing-Mode		
Double current collector	50 A, PH	081509-0121	081509-01215	12	0.050
	50 A, PE	081509-0122	081509-01225	12	0.050
	50 A, PH	081509-0141	081509-01415	14	0.050
	50 A, PE	081509-0142	081509-01425	14	0.050

Visual difference of the current collector parts: see page 16.

## Support plates for current collectors

**08-S138-...**



Type	Order-Number	Poles	Rail spacing [mm]	A [mm]	B [mm]	C [mm]	Weight [kg]
Support plate for current collector	08-S138-0056	4	14	54	42	6	0.103
	08-S138-0054	6	14	82	70	6	0.156
	08-S138-0052	8	14	110	70	20	0.208
	08-S138-0053	10	12	120	70	25	0.225

# Connection cables

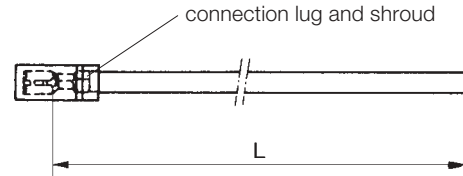
Completely with connection lug and shroud

Cables to DIN VDE 0298 part 4; Connector to DIN 46 257 part 3.

## 081109-...

The connection cables are highly flexible and for the phase conductor **double** / for the earth conductor **single** insulated. To be ordered in the required length and size.

Connection cables: Phase = black  
Earth = yellow/green



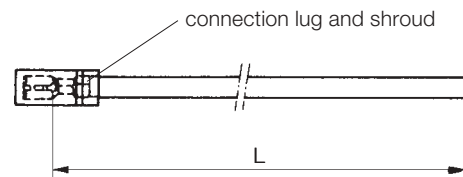
Cross section [mm <sup>2</sup> ]	Order-Number		Length [m]	Cable diameter [mm]	Amps	Weight [kg/m]
	Phase (PH)	Earth (PE)				
1.5	081109-0.5x1.5x21	081109-0.5x1.5x42	0.5	4 / 3	25	0.023
1.5	081109-1 x1.5x21	081109-1 x1.5x42	1	4 / 3	25	0.023
2.5	081109-0.5x2.5x21	081109-0.5x2.5x42	0.5	5 / 3.5	34	0.037
2.5	081109-1 x2.5x21	081109-1 x2.5x42	1	5 / 3.5	34	0.037
4	081109-1 x4 x21	081109-1 x4 x42	1	6	34	0.059

Other length and size on request

## 081109-...

The connection cables are highly flexible and **single** insulated. To be ordered in the required length and size.

Connection cables: Phase = black  
Earth = yellow/green



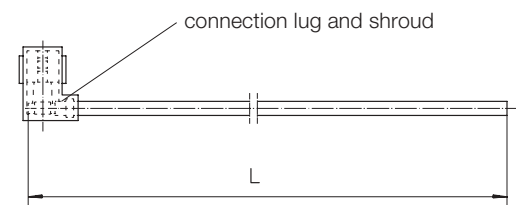
Cross section [mm <sup>2</sup> ]	Order-Number		Length [m]	Cable diameter [mm]	Amps	Weight [kg/m]
	Phase (PH)	Earth (PE)				
1.5	081109-0.5x1.5x41	081109-0.5x1.5x42	0.5	3	25	0.016
1.5	081109-1 x1.5x41	081109-1 x1.5x42	1	3	25	0.016
2.5	081109-0.5x2.5x41	081109-0.5x2.5x42	0.5	3.5	34	0.034
2.5	081109-1 x2.5x41	081109-1 x2.5x42	1	3.5	34	0.034

Other length and size on request

## 081509-...

The connection cables are highly flexible and **single** insulated. To be ordered in the required length and size.

Connection cables: Phase = black  
Earth = yellow/green



Cross section [mm <sup>2</sup> ]	Order-Number		Length [m]	Cable diameter [mm]	Amps	Weight [kg/m]
	Phase (PH)	Earth (PE)				
1.5	081509-0.5x1.5x41	081509-0.5x1.5x42	0.5	3	25	0.016
1.5	081509-1 x1.5x41	081509-1 x1.5x42	1	3	25	0.016
2.5	081509-0.5x2.5x41	081509-0.5x2.5x42	0.5	3.5	34	0.034
2.5	081509-1 x2.5x41	081509-1 x2.5x42	1	3.5	34	0.034

Other length and size on request



# Collector shoe control units

Up to 10-poles

## 08-P102-...

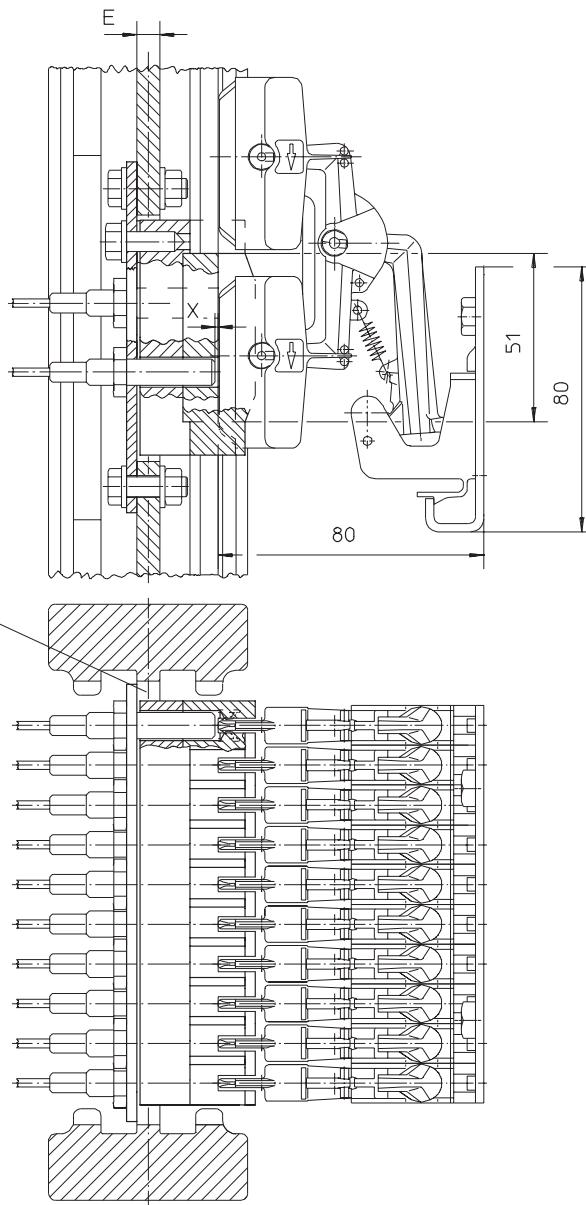
The collector shoe control unit is installed in the overhead monorail to ensure that worn collector shoes and missing current collectors are automatically detected by an electrical signal.

Testing is performed using a contactless circuit with a plastic-sheathed solenoid switch mounted in a plastic housing. During operation each shoe passed triggers a pulse. When the wear limit is reached, the operating distance to the initiator is too large and pulses can no longer be emitted.

The unit is supplied completely assembled and is considered for use in straight track sections.

Order number code: 0 8 0 5 5 1 - 1 0 x 0 8 x 1 2

Poles	_____	Rail spacing	_____
		(2 = 12 mm; 4 = 14 mm)	
Runway beam-width "E"	_____	Collector shoe material	_____
		(1 = pure graphite; 3 = copper graphite)	



Details on cut-outs and holes in runway beam profile please take from MV0815-0001E.

x = 1.0 mm for copper graphite;  
0.5 mm for pure graphite;  
is adjusted in the factory.

Use for double current collectors only!

# Spare parts

## Collector shoes

The collector shoes are replaced as following:

### a) Single current collector

1. Remove the stabilizing spring (no overstretching!)
2. Disconnect the connection cable
3. Pull the collector head over the lock point
4. Mount the new collector head in reverse order

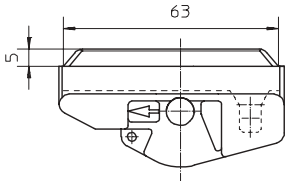
### b) Double Current collector

1. Remove the stabilizing spring (no overstretching!)
2. Disconnect the connection cable
3. Disconnect the pair of collector shoes
4. Mount the new pair of collector shoes in reverse order

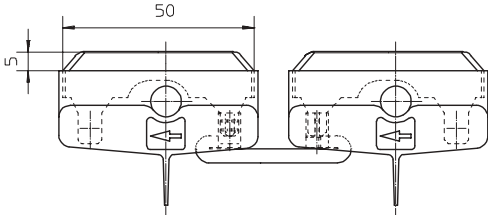
## Collector shoes (pure graphite), 16 Amps and 35 Amps

### 081006-...

- 63 mm shoe length; max. 16 Amps
- Collector shoe material: **pure graphite**



- 2 x 50 mm shoe length; max. 35 Amps
- Collector shoe material: **pure graphite**



Visual difference of the collector shoe insulations: see page 16!

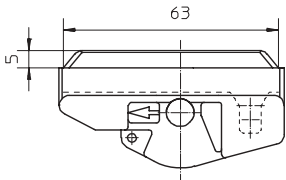
Type			Order-Number	for rail spacing [mm]	Weight [kg]
Collector shoe "long type"	16 A	PH	081006-122	12	0.012
	16 A	PE	081006-222	12	0.012
	16 A	PH	081006-124	14	0.012
	16 A	PE	081006-224	14	0.012

Type			Order-Number	for rail spacing [mm]	Weight [kg]
Pair of collector shoes "short type"	35 A	PH	081006-112	12	0.022
	35 A	PE	081006-212	12	0.022
	35 A	PH	081006-114	14	0.022
	35 A	PE	081006-214	14	0.022

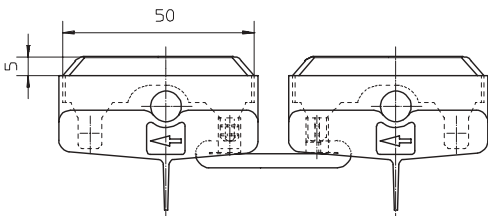
## Collector shoes (copper graphite), 35 Amps and 50 Amps

### 081006-...

- 63 mm shoe length; max. 35 Amps
- Collector shoe material: **copper graphite**



- 2 x 50 mm shoe length; max. 50 Amps
- Collector shoe material: **copper graphite**



Visual difference of the collector shoe insulations: see page 16!

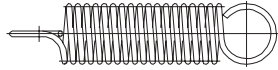
Type			Order-Number	for rail spacing [mm]	Weight [kg]
Collector shoe "long type"	35 A	PH	081006-142	12	0.018
	35 A	PE	081006-242	12	0.018
	35 A	PH	081006-144	14	0.018
	35 A	PE	081006-244	14	0.018

Type			Order-Number	for rail spacing [mm]	Weight [kg]
Pair of collector shoes "short type"	50 A	PH	081006-132	12	0.030
	50 A	PE	081006-232	12	0.030
	50 A	PH	081006-134	14	0.030
	50 A	PE	081006-234	14	0.030

# Spare parts / Accessories

## Stabilizing spring for current collector head

RZ-... / Z-...



Type	for current collector	Carbon length [mm]	Mode	Order-Number
Stabilizing spring	081506-... 081507-...	63	Trailing Reversing	RZ-037I
	081508-... 081509-...	50	Trailing Reversing	Z-066RI Z-073I

## Accessories

### Terminal lug for 1.5 mm<sup>2</sup> to 4 mm<sup>2</sup>

- for collector head connection

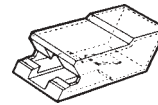
Type	Order-Number
Terminal lug 1.5 ... 2.5 mm <sup>2</sup>	08-160256-2
Terminal lug 2.5 ... 4 mm <sup>2</sup>	45047 123.211



### Insulation shroud for max. ø 6 mm

- for use with terminal lug

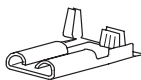
Type	Order-Number
Insulation shroud for max. ø 6 mm	08-925068-0



### Terminal lug for 1 mm<sup>2</sup> to 2.5 mm<sup>2</sup>

- for collector head connection

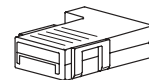
Type	Order-Number
Terminal lug 90° 1 ... 2.5 mm <sup>2</sup>	08-180429-2



### Insulation shroud for max. ø 3.5 mm

- for use with terminal lug

Type	Order-Number
Insulation shroud 90° for max. ø 3.5 mm	08-180984-0



### Crimp terminal for 1.5 mm<sup>2</sup> to 2.5 mm<sup>2</sup>

- for power feed and transfer point end cap

Type	Order-Number
Crimp terminal 1.5 ... 2.5 mm <sup>2</sup>	08-1630/4



### Crimp terminal for 4 mm<sup>2</sup> to 6 mm<sup>2</sup>

- for power feed and transfer point end cap

Type	Order-Number
Crimp terminal 4 ... 6 mm <sup>2</sup>	08-1650/4



# Tools

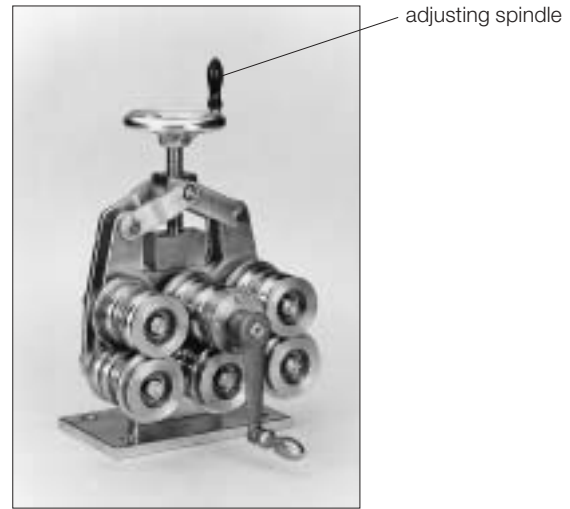
## Bending device

### 081091

The conductor rails can be bent with the insulation cover fitted using the three-roller bending device 081091. Any vertical curve can be produced with a bending radius of 450 mm to  $\infty$  and any horizontal curve of 1200 mm to  $\infty$  on site using the adjusting spindle.

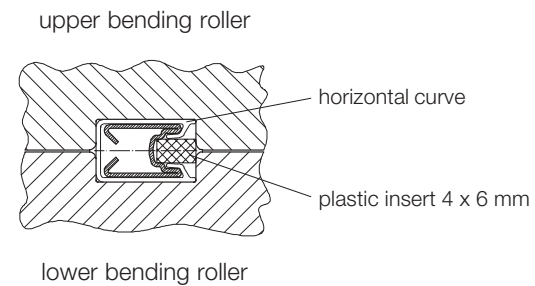
In order to avoid undesirable deformation of the conductor rail, the plastic insert provided must be introduced beforehand into the contact surface slot for producing horizontal curves and removed again after the bending process. It is possible to produce curves with straight sections from one piece without additional connectors.

Electrically operated bending machines are available on request for extensive installation work.



Type	Order-Number	Weight [kg]
Bending device	081091	17.5

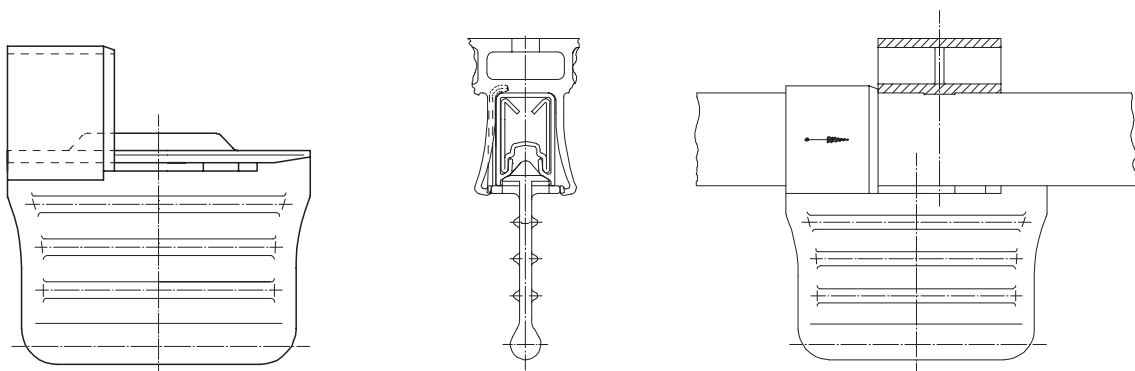
See also MV0815-0001E



## Disassembly tool

### 081092

The disassembly tool is required to dismantle the conductor rails secured in hanger clamps and end cap sets.



Disassembly tool in use

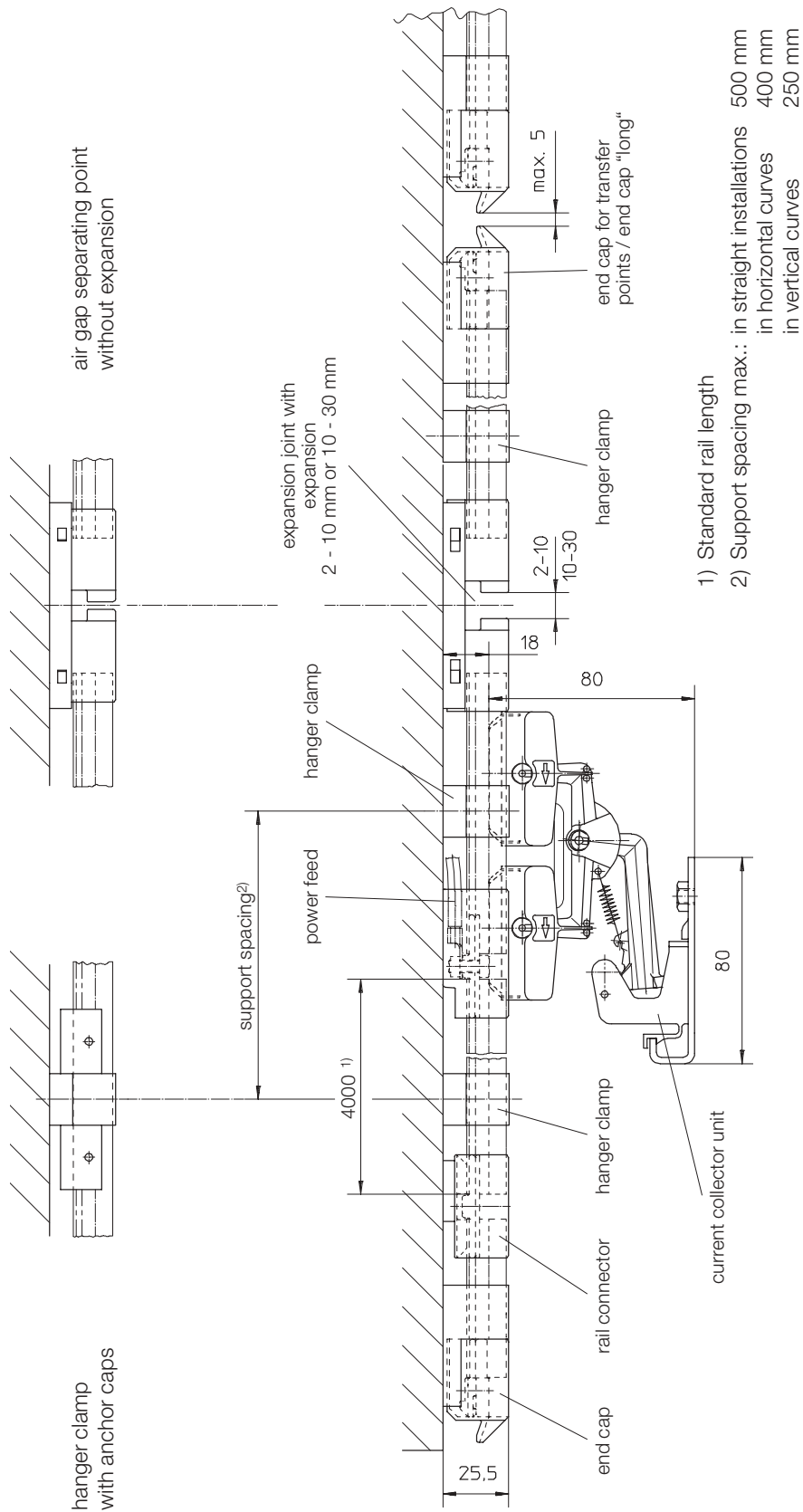
Type	Order-Number	Weight [kg]
Disassembly tool	081092	0.006

See also MV0815-0001E



# System arrangement

Programme 815



Shown is the horizontal arrangement

# Questionnaire

## Insulated conductor rail system

Please complete the questionnaire, so that we will be able to submit a quotation.  
If you have any more questions please contact us.

### Conductor rail system

- **Programme:** (selected)     811     812     813     814  
     815     831     842     824
- **Type of conductor rail:** (nominal current, material, system)  
   \_\_\_\_\_
- **Consumer:** (crane, lifting gear, shifting trolley, etc.)  
   \_\_\_\_\_
- **Length of system:** \_\_\_\_\_ [m]
- **Arrangement/shape:** (enclose sketch if necessary)  
 horizontal     vertical     straight     curve
- **Location of installation:**     Indoor     Outdoor
- **Operating conditions:**  
 humidity     icing     dust     chemical influence  
 others \_\_\_\_\_
- **Ambient temperature:** min. \_\_\_\_\_ [°C]; max. \_\_\_\_\_ [°C]
- **Max. travelling speed:** \_\_\_\_\_ [m/min]

### Electrical data

- **Number of conductor rail poles:** \_\_\_\_\_ Phase conductor  
    \_\_\_\_\_ Neutral conductor  
    \_\_\_\_\_ Control  
    \_\_\_\_\_ Earth  
    \_\_\_\_\_ Data
- **Operating voltage:** \_\_\_\_\_ [V ~/=]
- **Operating frequency:** \_\_\_\_\_ [Hz]
- **Position and number of power feed:** (enclose sketch if necessary)  
   \_\_\_\_\_
- **Position and number for air gaps:** \_\_\_\_\_
- **Length of connection cables of the current collector:** \_\_\_\_\_ [m]
- **Max. permissible voltage drop:** \_\_\_\_\_ [%]    \_\_\_\_\_ [V]

### Others

- **User/final customer:** \_\_\_\_\_

## Power consumption and number of consumers

Motor data	Consumer 1			Consumer 2			Consumer 3		
	Power consumption [kW]	Duty cycle [%]	Current consumption [A]	Power consumption [kW]	Duty cycle [%]	Current consumption [A]	Power consumption [kW]	Duty cycle [%]	Current consumption [A]
Motor 1									
Motor 2									
Motor 3									
Others 1									
Others 2									

## Please send quotation to the following address

Company: \_\_\_\_\_ Customer no.: \_\_\_\_\_  
 Dep./attention: \_\_\_\_\_  
 Address: \_\_\_\_\_  
 \_\_\_\_\_  
 Phone: \_\_\_\_\_ Telefax: \_\_\_\_\_

Wampfler AG • Rheinstrasse 27+33 • D-79576 Weil am Rhein-Maerkt  
 Customer Support: Phone +49 (0) 7621 / 66 22 22 • Fax +49 (0) 7621 6 62-144  
 E-Mail: info@wampfler.com • http://www.wampfler.com

# System review

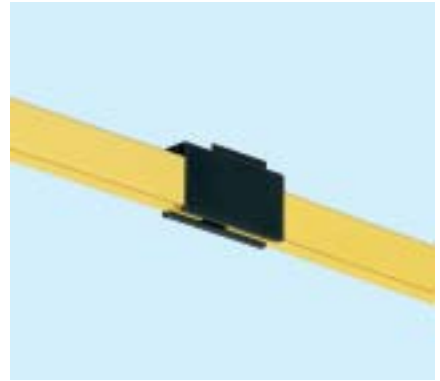
## Single parts



*Rail connector plug-in type*



*Rail connector screw type*



*Rail connector with cover*



*Power feed*



*End cap for transfer points/End cap "long"*



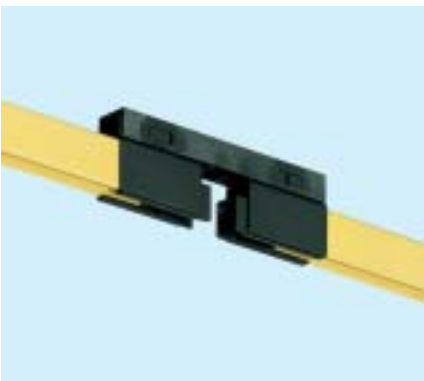
*End cap for transfer points "short" with power feed*



*Air gap separating point*



*Air gap separating point with power feed (on both sides)*



*Expansion joint (8 mm expansion way) without bridge cables*



*Expansion joint (20 mm expansion way) with bridge cables*



# System review

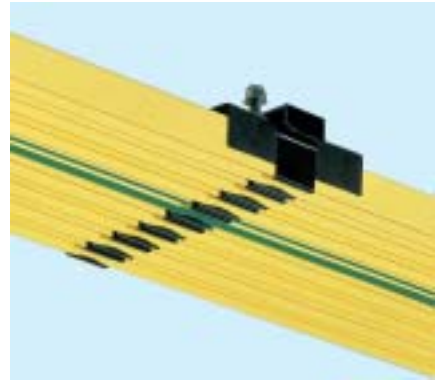
## Single parts, units



Hanger clamp; 8-poles



Hanger clamp; 10-poles



Conductor rail system with hanger clamp and anchor caps; 8-poles



Conductor rail system with end cap set and power feeds; 8-poles



Disassembly tool for conductor rail pre-mounting on hanger clamps / end cap sets



Current collector; single pole



Double current collector; single pole



Collector shoes (visual difference of the insulation: see page 16)



Double current collector unit with support plate; 8-poles




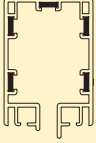







Double current collector unit with conductor rail system; 8-poles



Collector shoe control unit; 8-poles

# Programme overview / General hints

## Programme overview

System Designs	Enclosed Cond. Rail	Multipole Cond. Rail	Single Pole Insulated Conductor Rail					Uninsulated Cond. Rail
Conductor Rail System	Progr. 842	Progr. 831	Progr. 815	Progr. 811	Progr. 812	Progr. 813	Progr. 814	Progr. 824
								
<b>Nominal Current<sup>1)</sup></b> [A]	35 - 140 <sup>3)</sup>	10-125 <sup>4)</sup>	100	10-100	25-400	200-1250	1250-2000	1250-2000
<b>Voltage Grade</b> [V]	600	500	500	500	660	660	660	660
<b>Support Spacing</b> [m]	2	1	0,5	0,4-1,0	1,5	2,5	2,5	2,5
<b>Rail Length<sup>2)</sup></b> [mm]	4000	4000	4000	4000	4000	5000	6000	6000
<b>Outside-Dimensions</b> [mm]	5-pol.: 7-pol.: 56 x 90	3-pol.: 26 x 62 4-pol.: 26 x 80 5-pol.: 26 x 98	9.6 x 15.2	14.7 x 15.5	18 x 26	32 x 42	56 x 78	50 x 63

1) at 100% duty cycle and 35°C; 2) Standard; 3) 160 Amps at 80% duting cycle; 4) 140 Amps at 80% duty cycle

## General hints

We reserve the right to carry out any modification of the product at any time in the course of technical progress without prior notice.

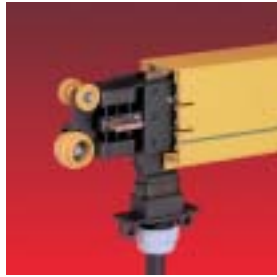
All our equipment is in accordance with CE.



Our general terms of business are effective. We shall send them to you on request.

Reprint, even of extracts, is only permitted with our approval.

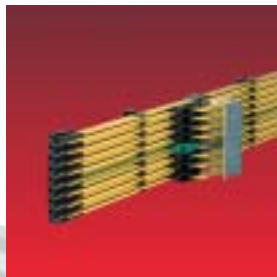




Programme 842



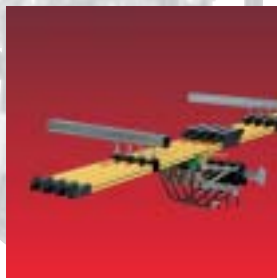
Programme 831



Programme 815



Programme 811



Programme 812



Programme 813



Programme 814



Wampfler AG • Rheinstrasse 27+33 • D-79576 Weil am Rhein-Maerkt  
Customer Support: Phone +49 (0) 7621 / 66 22 22 • Fax +49 (0) 7621 6 62-144  
E-Mail: [info@wampfler.com](mailto:info@wampfler.com) • <http://www.wampfler.com>