



ProfiDAT[®] *compact*
Data-Transmission System





ProfiDAT[®] *compact*

ProfiDAT[®] *compact* is a system for continuous data transmission between a local network and moving, rail guided consumers.

ProfiDAT[®] *compact* uses the principle of slotted waveguides for its Ethernet based data transmission. Therefore, it offers lowest interference potential and is able to coexist with other wireless systems.

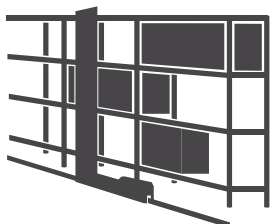
The system is the most compact slotted waveguide available and furthermore can be used as PE rail as well as positioning rail at the same time.

This leads to significant space, cost as well as installation time savings, as three independent systems are now combined in only one solution.

The **ProfiDAT[®] *compact*** data-transmission system is ideal for use in combination with Conductix-Wampfler conductor-rail ranges 811, 831, 812, 815 and 835. This facilitates countless usages in different applications in the most varied industrial sectors.



- Data transmission at **highest safety and reliability**
 - **Lowest interference potential** with other wireless systems through slotted waveguide technology
 - **Real-time data transmission** through PROFINET prioritization
 - **PROFIsafe** compatible
- **Smart and fully integrated** solution through unique **3 in 1** functionalities
 - Data transmission
 - PE-rail
 - Optical positioning
- **Considerable reduction of installation space and time** (only 1 instead of 3 systems needs to be installed)
- **Most compact** slotted waveguide available: minimal installation space required
- Compatibility to **lifters, transitions, curves, etc.**

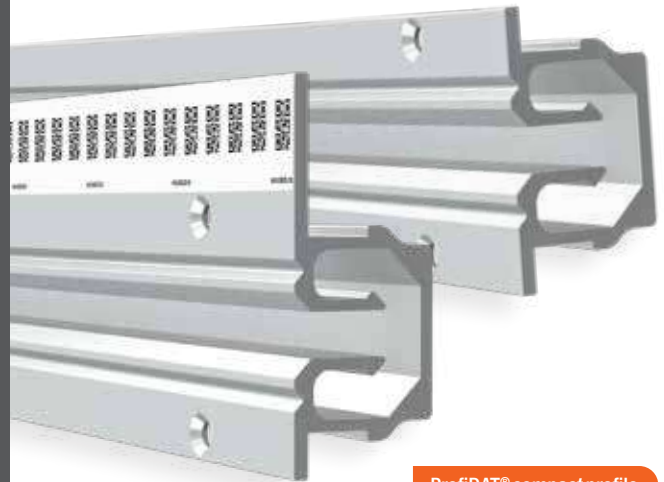


System overview

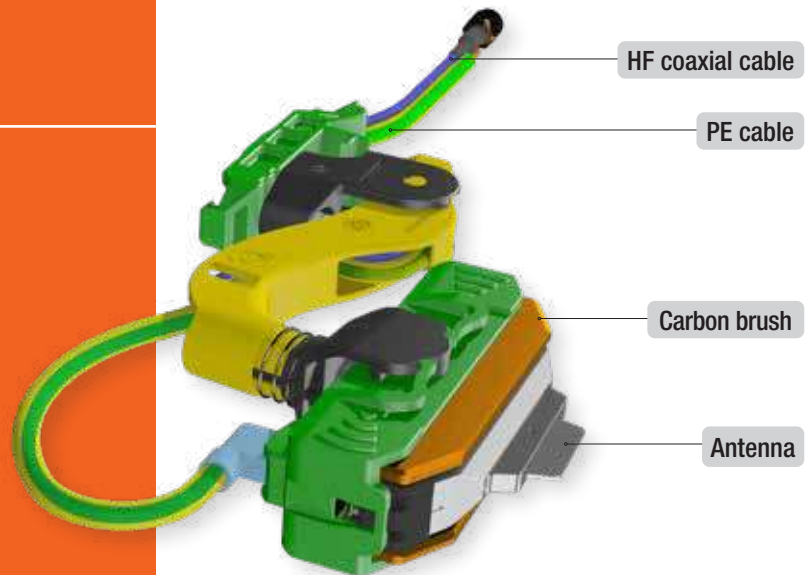
- Data Rates: Up to 100 MBit/ s
- WIFI Standard: IEEE802.11 – 5 GHz
- Data Interface: Ethernet, RJ45
- Compatible control Protocols: PROFINET/ PROFIsafe, Ethernet/IP
- Data Transmission: Control Signals + Video/ Audio
- System lengths: No Limitation (through rapid roaming)
- Segment lengths: Up to 120 m
- Number of Consumers per Segment: Up to 20
- Cycle time: Beginning from 32 ms
- Current for PE function: Up to 32 A per collector
- Positioning: Optical bar or data matrix code band

Target Applications

- Automated storage and retrieval systems (AS/RS)
- Shuttles
- Transfercars
- Sorter
- Electrified Monorail Systems (EMS)
- Skillet Systems



ProfiDAT[®] compact profile



ProfiDAT[®] compact collector

www.conductix.com

Conductix-Wampfler has just one critical mission: To provide you with energy and data transmission systems that will keep your operations up and running 24/7/365.

To contact your nearest sales office, please refer to:
www.conductix.com/contact-search

