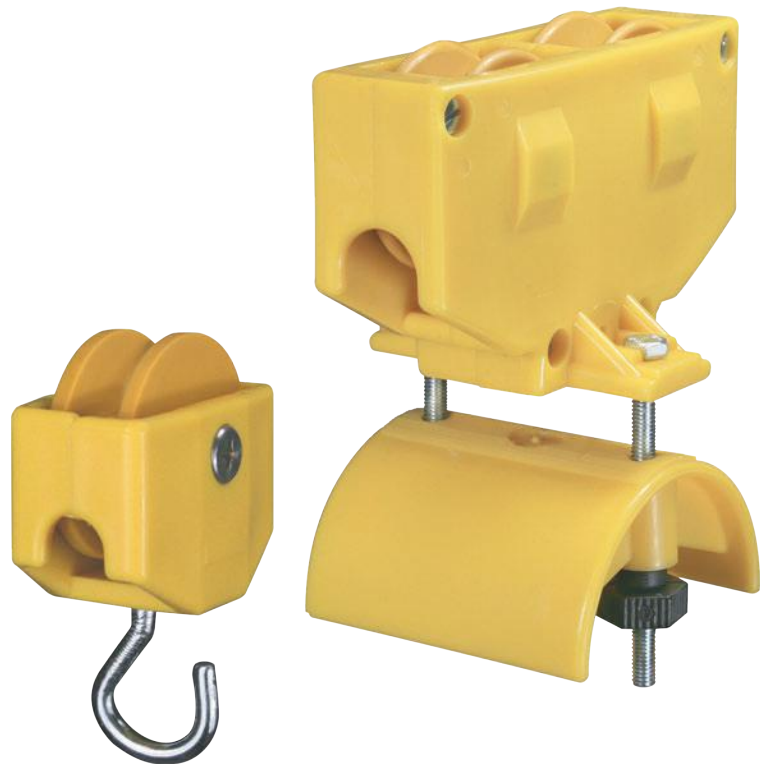


Festoon Systems for Wire Ropes

Program 0210/0215



Contents

Ropes and Accessories Program 0210 and 0215

System Components for Wire Ropes with Diameter 6-12 mm	2
Wire Ropes	2
Straining Buckles	3
Strainer Brackets	3

Cable Trolleys for Flat Cables Program 0210

Festoon Systems for Flat Cables on Rope with Diameter 6 mm	4
Plastic Cable Trolleys with Load Capacity up to 6 kg	4
Cable Support	5
End Clamp	5
Towing Trolley with Rope Guidance	5

Cable Trolleys for Flat Cables Program 0215

Festoon Systems for Flat Cables on Ropes with Diameter 8-12 mm	6
Plastic Cable Trolley with Load Capacity up to 10 kg	6
Plastic Cable Trolley with Load Capacity up to 20 kg	6
End Clamp	7
Towing Trolley with Rope Guidance	7
Towing Arm	7

Cable Trolleys for Round Cables and Hoses Program 0210

Festoon Systems for Round Cables on Rope with Diameter 6 mm	8
Plastic Cable Trolley with Hook or Eye with Load Capacity up to 3 kg	8
Plastic Cable Trolley with Hook or Eye with Load Capacity up to 6 kg	8
Plastic Cable Trolley with Ball Joint with Load Capacity up to 6 kg	9
End Clamp	9
Cable Clips for Trolleys with Hook or Ball Joint	9
Cable Support and Towing Arm	9
Towing Trolley with Rope Guidance	9

Cable Trolleys for Round Cables and Hoses Program 0215

Festoon Systems for Round Cables on Ropes with Diameter 8-12 mm	10
Plastic Cable Trolley with Load Capacity up to 10 kg	10
Plastic Cable Trolley with Load Capacity up to 20 kg	10
End Clamp	11
Towing Trolley with Rope Guidance	11
Supplements to the Program on Inquiry	11

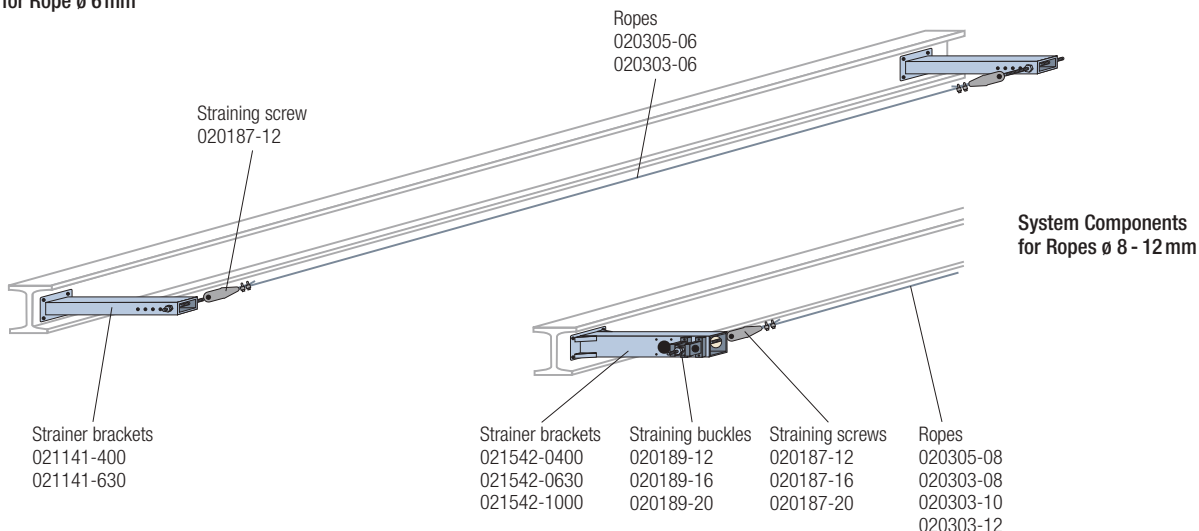
Helpful Hints

Calculation of Tensile Force	12
Determination of Rope Load and Selection of Required Rope	12

Ropes and Accessories Program 0210 and 0215

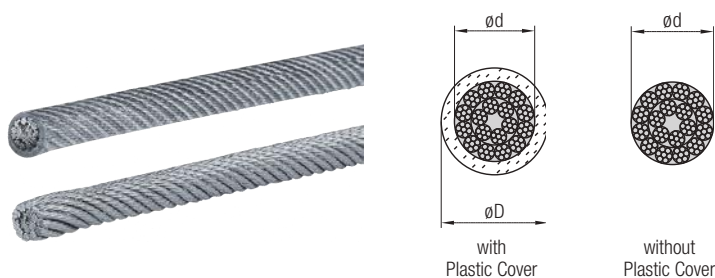
System Components for Wire Ropes with Diameter 6-12 mm

System Components
for Rope \varnothing 6 mm



System Components
for Ropes \varnothing 8 - 12 mm

Wire Ropes



Material

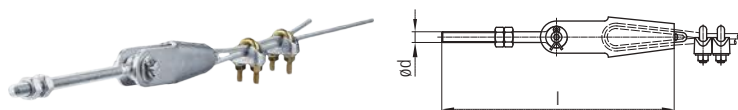
- Rope: galvanized steel
- Cover: plastic

Note

Plastic covered ropes 020305 have the best performance.

Order No.	Type	$\varnothing d$ [mm]	$\varnothing D$ [mm]	Min. Brak. Strength F_{Br} [kN]	Perm. Tensil Strength F_{zul} [kN]	for Straining Screw
020305-06	with plastic cover	4	6	14.5	3.6	020187-12
020303-06	without plastic cover	6	-	20.3	5.1	020187-12
020305-08	with plastic cover	6	8	20.3	5.1	020187-12
020303-08	without plastic cover	8	-	37.2	9.3	020187-12
020303-10		10	-	58.1	14.5	020187-16
020303-12		12	-	81.2	20.3	020187-20

Straining Screws

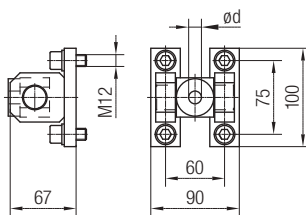


Order No.	$\varnothing d$	l [mm]	for Rope \varnothing [mm]
020187-12	M12	330	6 - 8
020187-16	M16	424	10
020187-20	M20	458	12

Material: galvanized steel

Ropes and Accessories Program 0210 and 0215

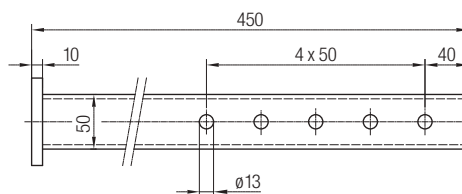
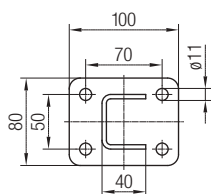
Straining Buckles



Order No.	$\varnothing d$ [mm]	suitable Strainer Bracket
020189-12	13	021542
020189-16	17	
020189-20	21	

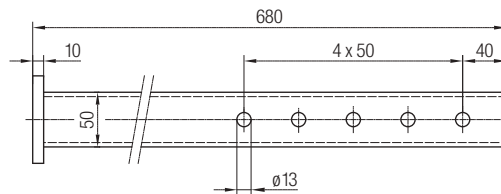
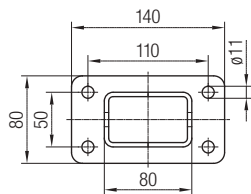
Material: galvanized steel
Application: for flexible reception
of the straining screw

Strainer Brackets



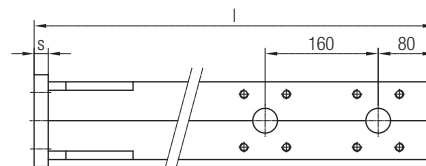
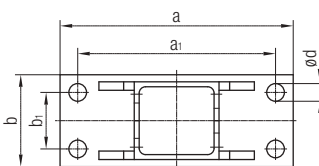
Order No.: 021141-400
Material: galvanized steel

Suitable straining screw 020187-12



Order No.: 021141-630
Material: galvanized steel

Suitable straining screw 020187-12



Order No.	l [mm]	a [mm]	b [mm]	a ₁ [mm]	b ₁ [mm]	$\varnothing d$ [mm]	s [mm]
021542-0400	495	290	120	250	80	21	15
021542-0630	730	330	130	280	80	25	20
021542-1000	1105	390	150	330	90	31	25

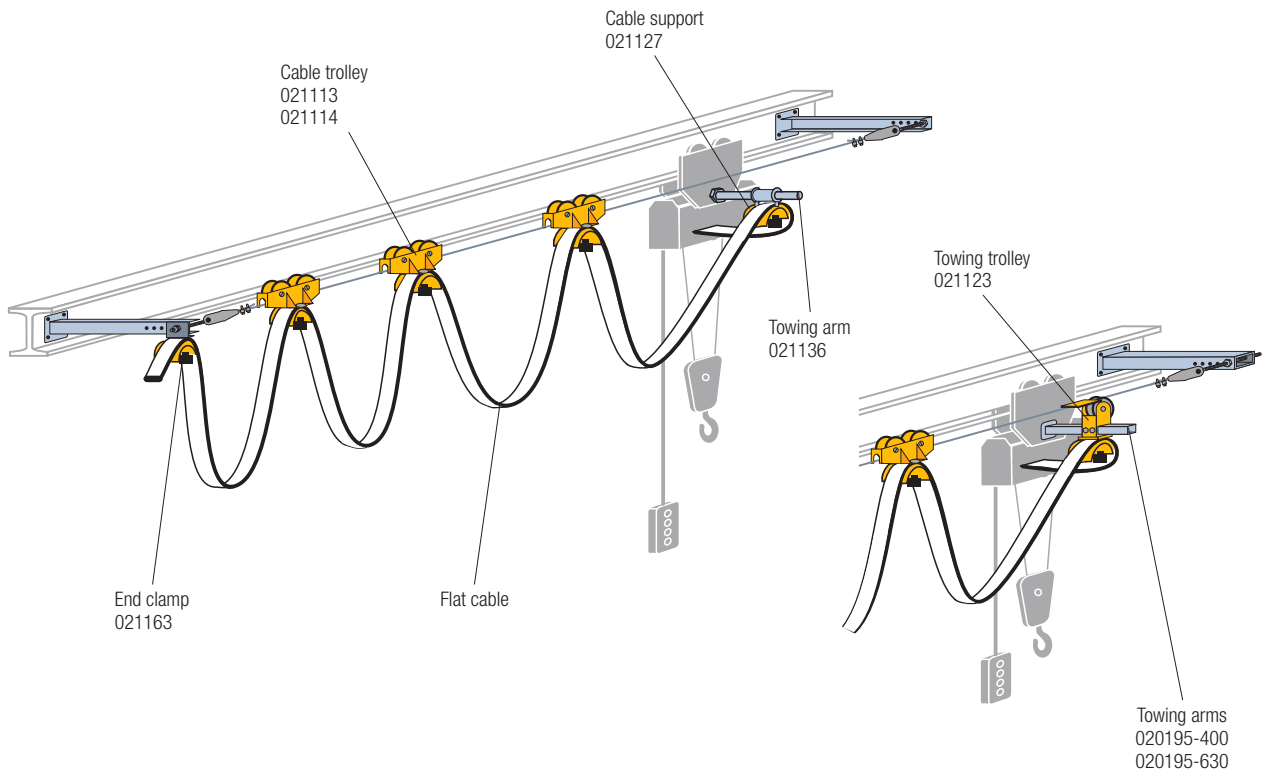
Material: galvanized steel

Notes

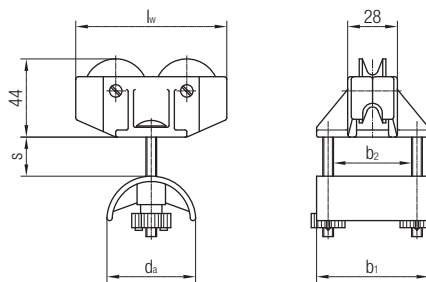
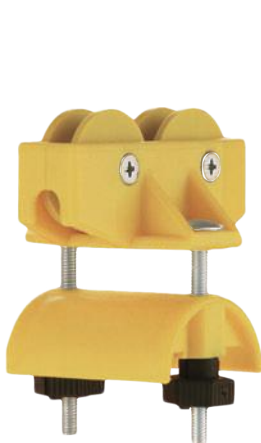
- To be ordered only in connection with straining buckle 020189
- This strainer bracket is also used with two ropes running in parallel
Distance between ropes = 160 mm

Cable Trolleys for Flat Cables Program 0210

Festoon Systems for Flat Cables on Rope with Diameter 6 mm



Plastic Cable Trolleys with Load Capacity up to 6 kg

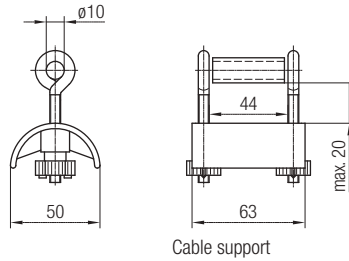


Cable Trolley Order No.	d_a [mm]	l_w [mm]	b_1 [mm]	b_2 [mm]	s [mm]
021113	50	085	63	44	17
021114	80	125	80	54	22

- Type of roller:
 - roller: plastic
 - axle: stainless steel
- Load capacity: 6 kg

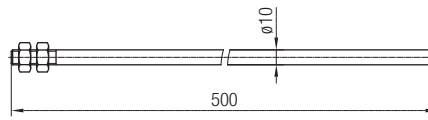
Flat Cable Trolleys Program 0210

Cable Support



Cable support

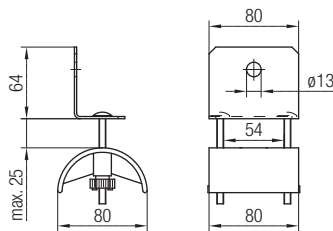
Order No.: 021127



Towing arm

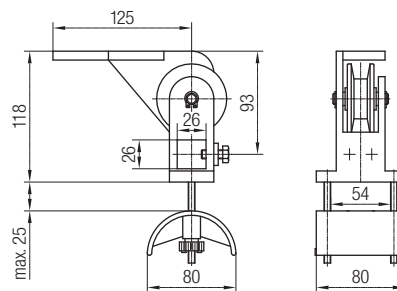
Towing Arm
Order No.: 021136
Material: galvanized steel

End Clamp



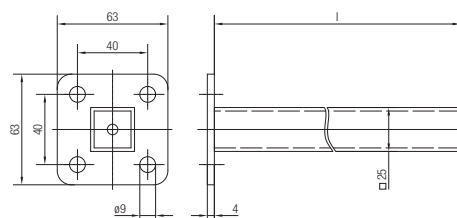
Order No. 021163

Towing Trolley with Rope Guidance



Towing trolley

Order No.: 021123

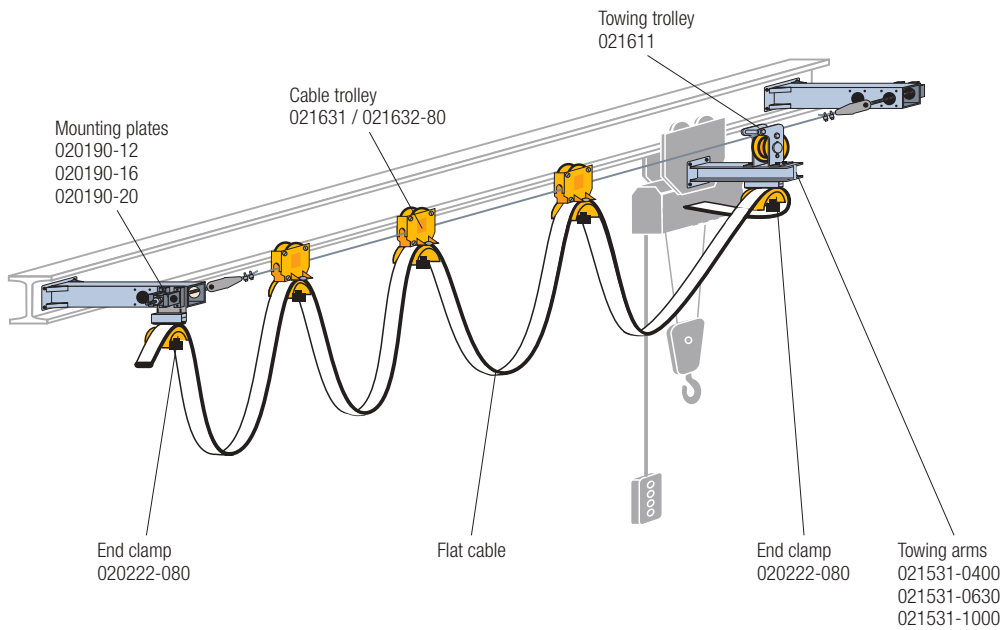


Towing arm

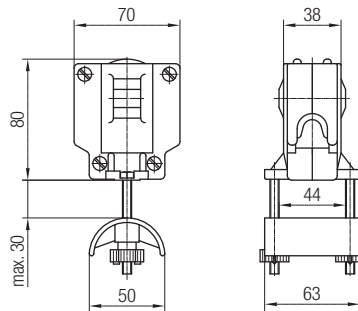
Towing Arm Order No.	l [mm]	Material
020195-400	400	galvanized steel
020195-630	630	

Cable Trolleys for Flat Cables Program 0215

Festoon Systems for Flat Cables on Ropes with Diameter 8-12 mm



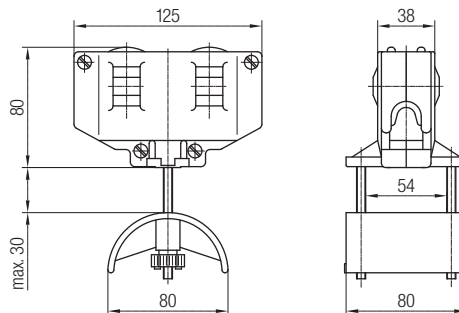
Plastic Cable Trolley with Load Capacity up to 10 kg



Order No. 021631

- Type of roller:
 - roller: plastic
 - axle: stainless steel
- Load capacity: 10 kg

Plastic Cable Trolley with Load Capacity up to 20 kg

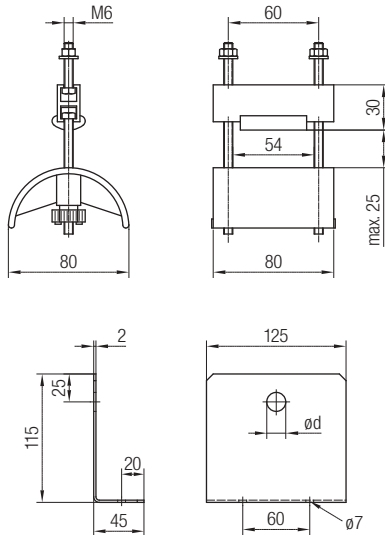


Order No. 021632-80

- Type of roller:
 - roller: plastic
 - axle: stainless steel
- Load capacity: 20 kg

Cable Trolleys for Flat Cables Program 0215

End Clamp



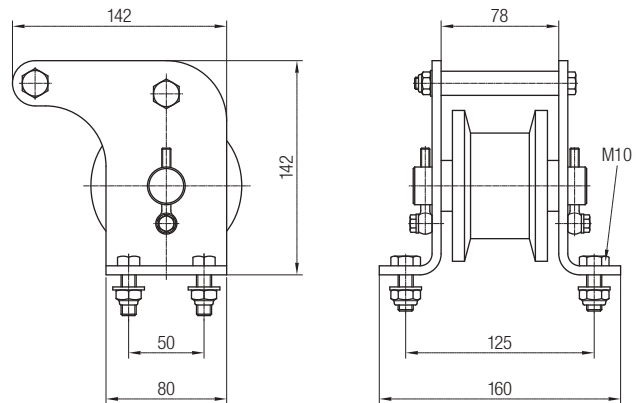
Order No. 020222-080

Note

Mounting under plate 020190
and towing arm 021531

Mounting Plate Order No.	ø d [mm]	Suitable Straining Screw
020190-12	13	020187-12
020190-16	17	020187-16
020190-20	21	020187-20

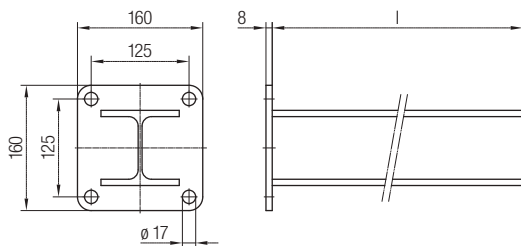
Towing Trolley with Rope Guidance



Order No. 021611

- Casing:: galvanized steel
- Type of roller:
 - roller: plastic, with steel ball bearing
 - axle: galvanized steel

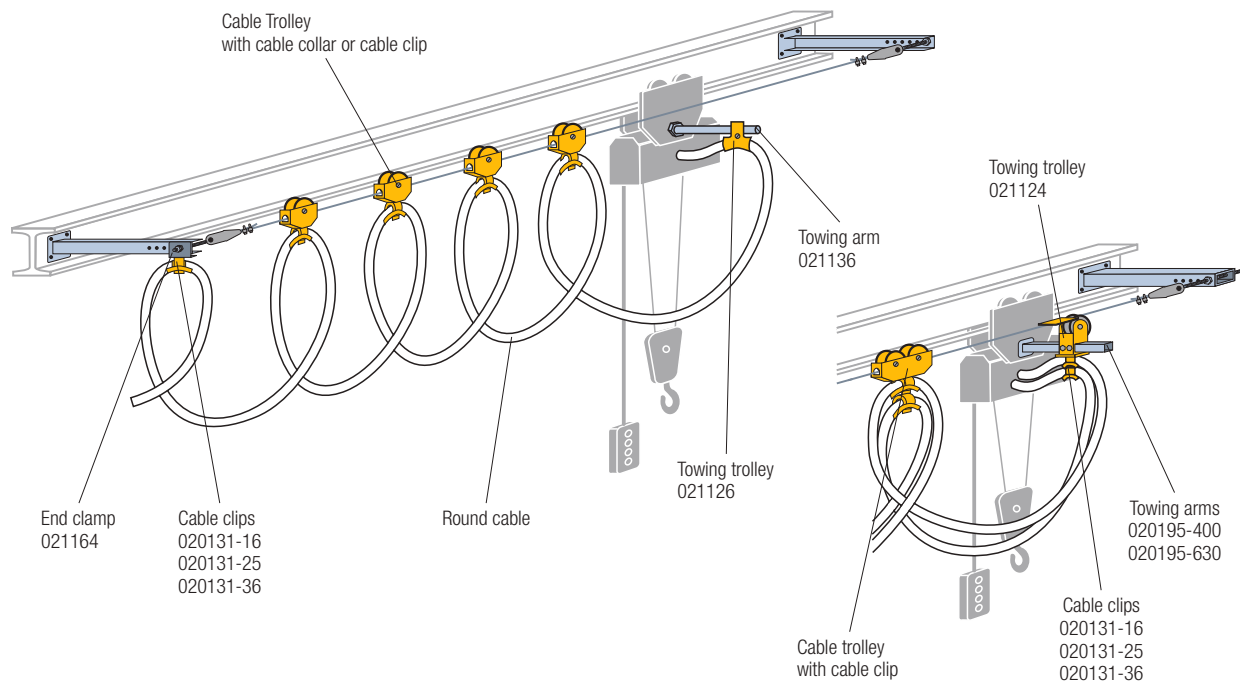
Towing Arm



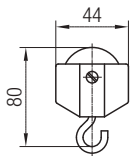
Order No.	l [mm]	Material
021531-0400	400	galvanized steel
021531-0630	630	
021531-1000	1000	

Cable Trolleys for Round Cables and Hoses Program 0210

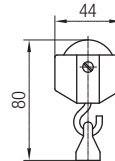
Festoon Systems for Round Cables on Rope with Diameter 6 mm



Plastic Cable Trolley with Hook or Eye with Load Capacity up to 3 kg



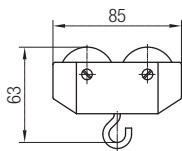
Trolley with Hook
Order No. 021111
Load capacity: 3 kg



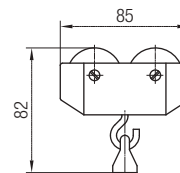
Trolley with Eye
Order No. 021115
Load capacity: 3 kg

Note
Corresponding cable clip 020131 see page 11

Plastic Cable Trolley with Hook or Eye with Load Capacity up to 6 kg



Trolley with Hook
Order No. 021112
Load capacity: 6 kg



Trolley with Eye
Order No. 021116
Load capacity: 6 kg

Note
Corresponding cable clip 020131 see page 11

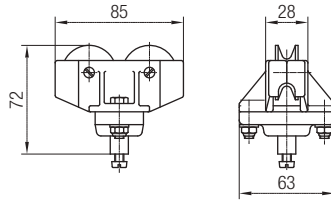
Cable Collars for Trolleys with Hook



Order No.	Cable Diameter [mm]
020111-10	10
020111-12,5	12.5
020111-14	14
020111-16	16
020111-18	18
020111-20	20

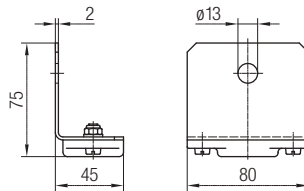
Round Cable Trolleys and Hoses Program 0210

Plastic Cable Trolley with Ball Joint with Load Capacity up to 6 kg



Order No. 021117
Load capacity: 6 kg

End Clamp



Order No. 021164

Note
Suitable cable clip 020131

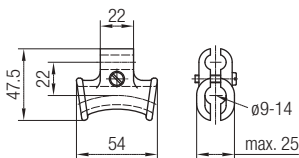
Cable Clips for Trolleys with Hook or Ball Joint



Order No.	Cable Diameter [mm]
020131-16	10 - 16
020131-25	17 - 25
020131-36	26 - 36

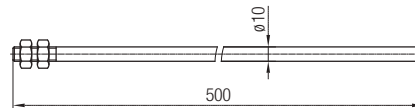
Note
The cable clips can be combined in multiple variations.

Cable Support and Towing Arm



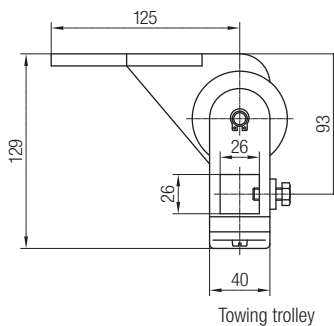
Order No. 021126

Note
Only for one cable.
Mounting of additional clips not possible.

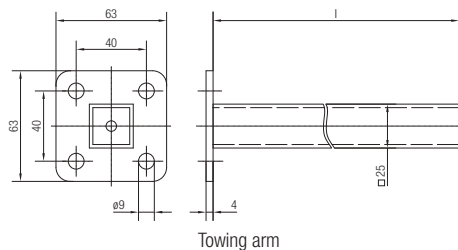
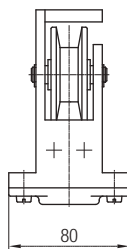


Towing Arm
Order No. 021136
Material: galvanized steel

Towing Trolley with Rope Guidance



Towing trolley



Towing arm

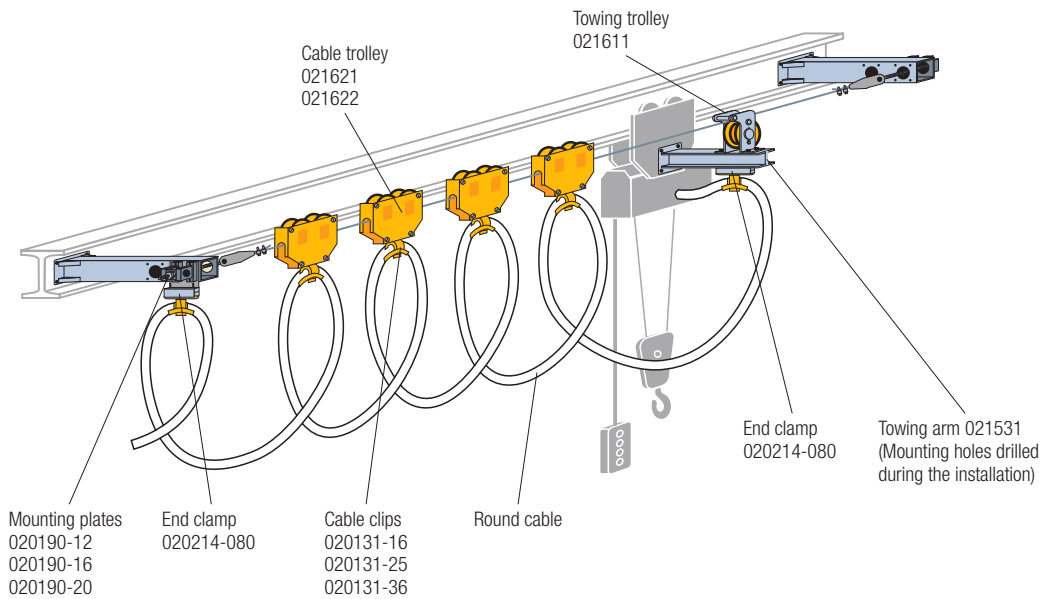
Order No.: 021124

Note
Suitable cable clip 020131

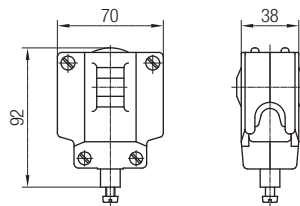
Towing Arm Order No.	l [mm]
020195-400	400
020195-630	630

Cable Trolleys for Round Cables and Hoses Program 0215

Festoon Systems for Round Cables on Ropes with Diameter 8-12 mm



Plastic Cable Trolley with Load Capacity up to 10 kg

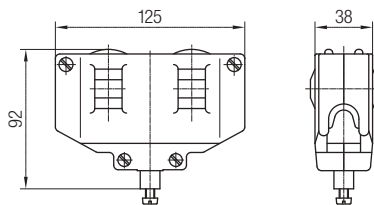


Order No. 021621

- Type of roller:
 - roller: plastic
 - axle: stainless steel
- Load capacity: 10 kg

Suitable cable clips 020131
see page 11

Plastic Cable Trolley with Load Capacity up to 20 kg



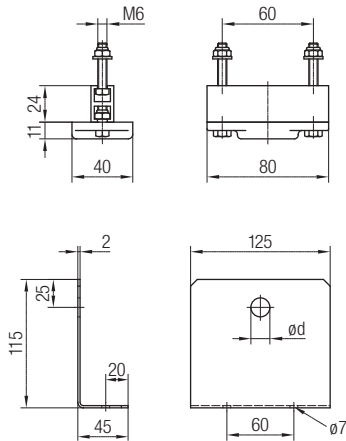
Order No. 021622

- Type of roller:
 - roller: plastic
 - axle: stainless steel
- Load capacity: 20 kg

Suitable cable clips 020131
see page 11

Round Cable Trolleys and Hoses Program 0215

End Clamp



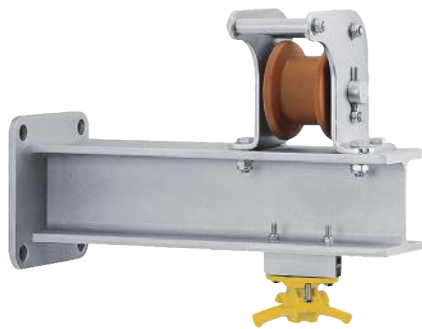
End Clamp
Order No. 020214-080

Notes

- Mounting under plate 020190 and towing arm 021531
- Suitable cable clip 020131

Mounting Plate Order No.	ø d [mm]	Suitable Straining Screw
020190-12	13	020187-12
020190-16	17	020187-16
020190-20	21	020187-20

Towing Trolley with Rope Guidance



Towing Trolley Order No. 021611
Towing Arm Order No. 021531

For more details see page 9

Supplements to the Program on Inquiry



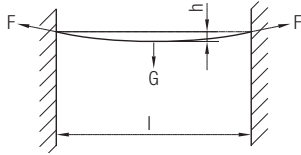
Trolley running on two ropes
Double load capacity



Ideal Control Unit Trolley
for Flat and Round Cables

Helpful Hints

Calculation of Tensile Force



The tensile force can be calculated approx. using the following formula:

$$F = \frac{\Phi \cdot G \cdot l \cdot g}{8000 \cdot h} \leq F_{perm.} \quad [\text{kN}]$$

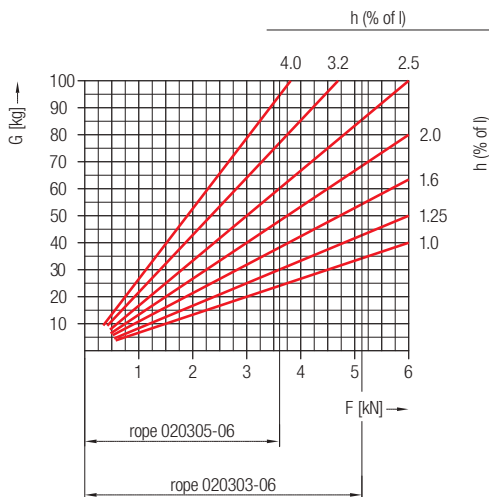
In planning a flexible cable system it is necessary to calculate the carrying capacity of the rope. Normally plastic covered steel ropes are used which are suitable for most applications.

- F [kN] = Tensile force in the rope
- G [kg] = Total load of netweight of rope plus weight of cable trolleys and cables
- l [m] = Span width of rope
- h [m] = Sag of rope
- g [m/s²] = Gravitational acceleration = 9.81
- Φ = Net load factor = 1.1-1.2 to DIN 15018, section 4.1.4.1
Consideration is recommended.

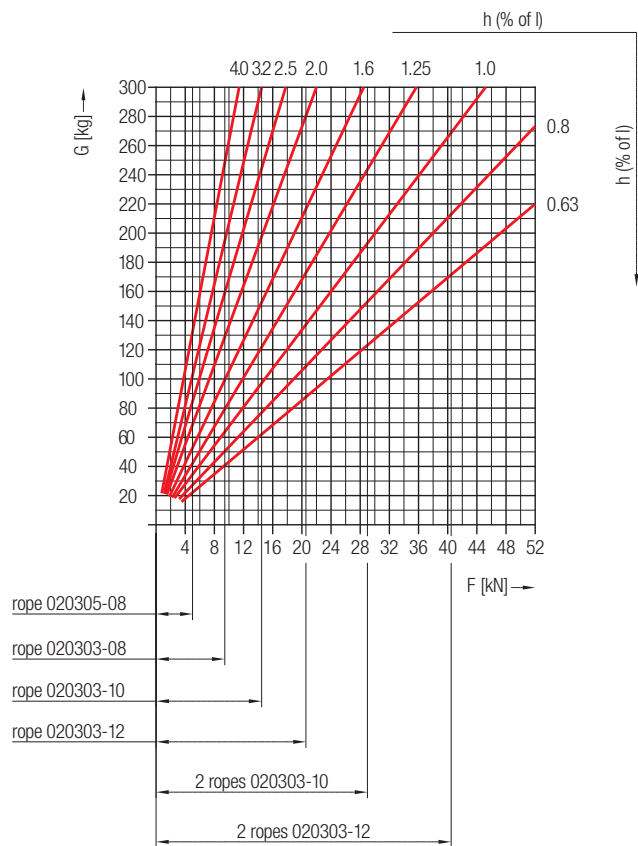
Determination of Rope Load and Selection of Required Rope

The required rope can be determined with the help of the following diagrams. The diagrams were issued with $\Phi = 1,2$ and $\vartheta = 4$.

Program 0210



Program 0215



Calculation Example

Given:

- Total load G = 145 kg
- Span width l = 100 m
- Rope sag $h_{perm.} = 2 \text{ m} = 2\%$

Calculated values:

- Diagram program 0210: not suitable
- Diagram program 0215: suitable

From diagram program 0215

- existing rope load: $F \approx 10,5 \text{ kN}$
- required rope : 020303-10

Your Applications - our Solutions!

Festoon systems by Conductix-Wampfler represent only one of the many solutions made possible by the broad spectrum of Conductix-Wampfler components for the transport of energy, data and fluid media. The solutions we deliver for your applications are based on your specific requirements. In many cases, a combination of several different Conductix-Wampfler systems can prove advantageous. You can count on all of Conductix-Wampfler's Business Units for hands-on engineering support - coupled with the perfect solution to meet your energy management and control needs.



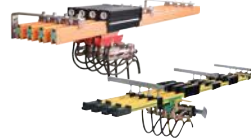
Cable reels

Motorized reels and spring reels by Conductix-Wampfler hold their own wherever energy, data and media have to cover the most diverse distances within a short amount of time - in all directions, fast and safe.



Festoon systems

It's hard to imagine Conductix-Wampfler cable trolleys not being used in virtually every industrial application. They're reliable and robust and available in an enormous variety of dimensions and designs.



Conductor rails

Whether they're enclosed conductor rails or expandable single-pole systems, the proven conductor rails by Conductix-Wampfler reliably move people and material.



Non-insulated conductor rails

Extremely robust, non-insulated conductor rails with copper heads or stainless steel surfaces provide the ideal basis for rough applications, for example in steel mills or shipyards.



Energy guiding chains

The "Jack of all trades" when it comes to transferring energy, data, air and fluid hoses. With their wide range, these energy guiding chains are the ideal solution for many industrial applications.



Slip ring assemblies

Whenever things are really "moving in circles", the proven slip ring assemblies by Conductix-Wampfler ensure the flawless transfer of energy and data. Here, everything revolves around flexibility and reliability!



Inductive Power Transfer IPT®

The no-contact system for transferring energy and data. For all tasks that depend on high speeds and absolute resistance to wear.



Reels, retractors and balancers

Whether for hoses or cables, as classical reels or high-precision positioning aids for tools, our range of reels and spring balancers take the load off your shoulders.



Jib boom

Complete with tool transporters, reels, or an entire media supply system - here, safety and flexibility are key to the completion of difficult tasks.



Conveyor systems

Whether manual, semiautomatic or with Power & Free – flexibility is achieved with full customization concerning layout and location.

www.conductix.com

Conductix-Wampfler GmbH

Rheinstrasse 27+33
79576 Weil am Rhein
Germany

Hotline

Phone +49 (0) 7621 662-222

Phone +49 (0) 7621 662-0

Fax +49 (0) 7621 662-144

info.de@conductix.com

www.conductix.com



DELACHAUX GROUP