

Festoon Systems for I-Beams

Program 0314 | 0320 | 0325 | 0330



CONDUCTIX
wampfler

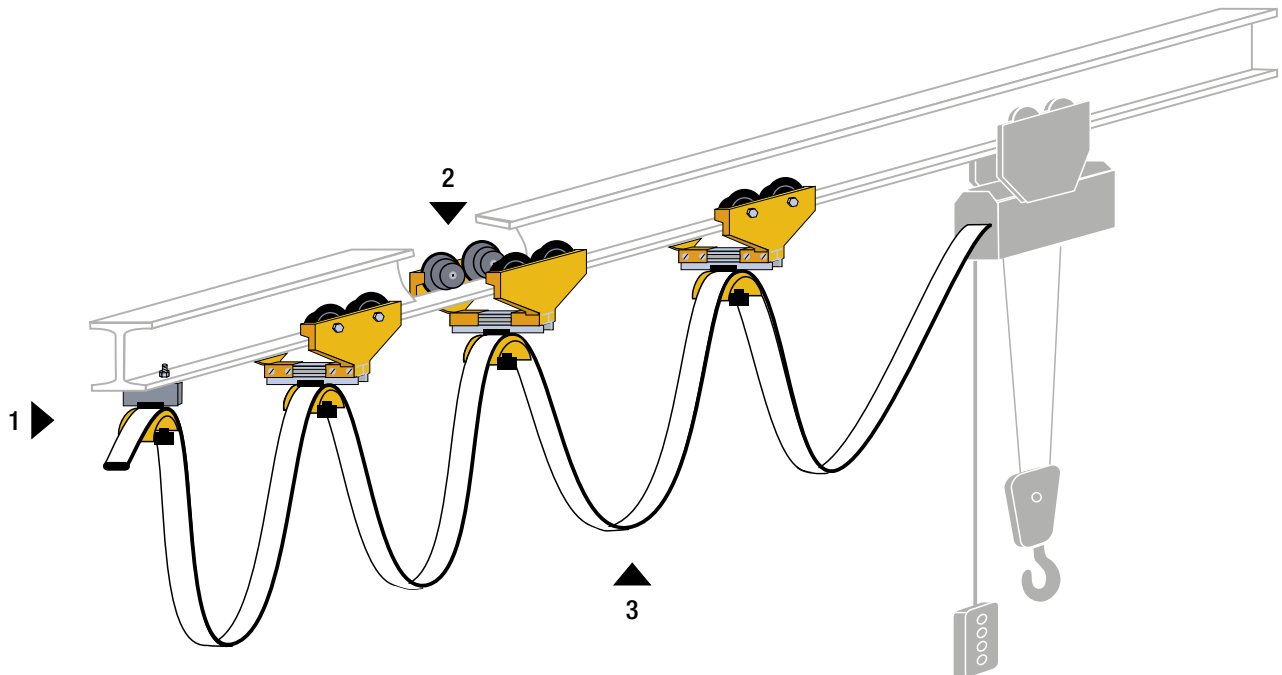
Ⓞ DELACHAUX GROUP

Contents

Cable Trolleys for Flat Cables – Program 0314	4
Festoon System for Flat Cables.....	4
4 Wheel Plastic Trolley	4
3 Wheel Plastic Trolley	5
2 Wheel Plastic Trolley	5
End Clamp	5
Cable Trolleys for Round Cables – Program 0314	6
Festoon System for Round Cables	6
4 Wheel Plastic Trolley with Ball Joint Attachment.....	6
3 Wheel Plastic Trolley with Ball Joint Attachment.....	7
2 Wheel Plastic Trolley with Ball Joint Attachment.....	7
Cable Clip.....	8
End Clamp	8
2 Wheel Plastic Trolley with Hook Attachment.....	9
Cable Collar.....	9
System Arrangement – Program 0320, 0325 and 0330	10
Festoon System for Flat and Round Cables	10
Design Features.....	10
Ordering Example Program 0320.....	10
Cable Trolleys – Program 0320	11
Steel Trolleys for Flat Cables.....	11
Steel Trolleys for Round Cables.....	12
Cable Trolleys – Program 0325	13
Steel Trolleys for Flat Cables.....	13
Steel Trolleys for Round Cables.....	14
Cable Trolleys – Program 0330	15
Steel Trolleys for Flat Cables.....	15
Steel Trolleys for Round Cables.....	16
Accessories for Festoon Systems – Program 0320, 0325 and 0330	17
Tow Ropes.....	17
Damping Devices	17
Round Cable Clamps.....	18
Spacers.....	18
Flat Cable Clamps.....	19
Wear Parts for Cable Trolleys – Program 0320, 0325 and 0330	20
Replacement Rollers for Program 0320	20
Replacement Rollers for Program 0325	20
Replacement Rollers for Program 0330	20
Replacement Anti-Lift Roller for Program 0320, 0325 and 0330.....	21
Damping Ropes for Program 0325 and 0330.....	21

Cable Trolleys for Flat Cables Program 0314

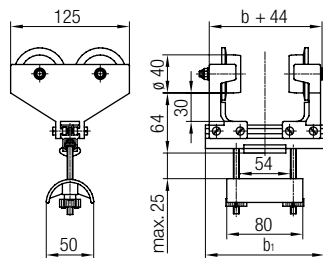
Festoon System for Flat Cables



- 1. End Clamp
- 2. Cable Trolleys
- 3. Flat Cable

Material Cable Trolleys for Flat Cables	
Side Shield:	Plastic
Roller:	Nylon, Friction Bearing
Shaft:	Stainless Steel
Support Rail:	Aluminum
Cable Support:	Plastic
Clamping Piece:	Rubber
Fasteners:	Galvanized Steel
Split Nut:	Plastic

4 Wheel Plastic Trolley



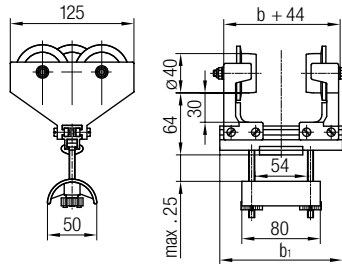
Application

The trolleys 022134 are designed for use with flat cables. They have a maximum cable package window opening of 54 mm width by 25 mm height.

Part No.	Acid Resistant Part No.	b_1 [mm]	Max. Flange Width b [mm]	Max. Travel Speed [m/min]	Max. Load Capacity [kg]
022134-125	---	125	81	50	20
022134-160	022434-160	160	116		
022134-200	022434-200	200	156		
022134-250	---	250	206		
022134-280	---	280	236		
022134-320	---	320	276		
022134-350	---	350	306		

Cable Trolleys for Flat Cables Program 0314

3 Wheel Plastic Trolley

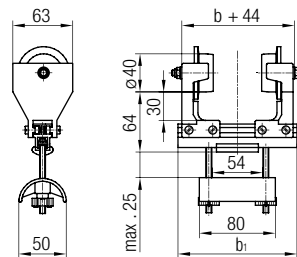


Application

The trolleys 022133 are designed for use with flat cables. They have a maximum cable package window opening of 54 mm width by 25 mm height.

Part No.	Acid Resistant Part No.	b ₁ [mm]	Max. Flange Width b [mm]	Max. Travel Speed [m/min]	Max. Load Capacity [kg]
022133-125	---	125	81	50	10
022133-160	022433-160	160	116		
022133-200	022433-200	200	156		
022133-250	---	250	206		
022133-280	---	280	236		
022133-320	---	320	276		

2 Wheel Plastic Trolley

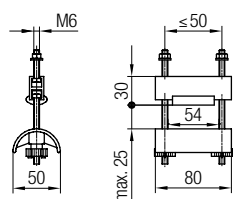


Application

The trolleys 022132 are designed for use with flat cables. They have a maximum cable package window opening of 54 mm width by 25 mm height.

Part No.	Acid Resistant Part No.	b ₁ [mm]	Max. Flange Width b [mm]	Max. Travel Speed [m/min]	Max. Load Capacity [kg]
022132-125	---	125	81	50	10
022132-160	022432-160	160	116		
022132-200	022432-200	200	156		
022132-250	---	250	206		
022132-280	---	280	236		
022132-320	---	320	276		

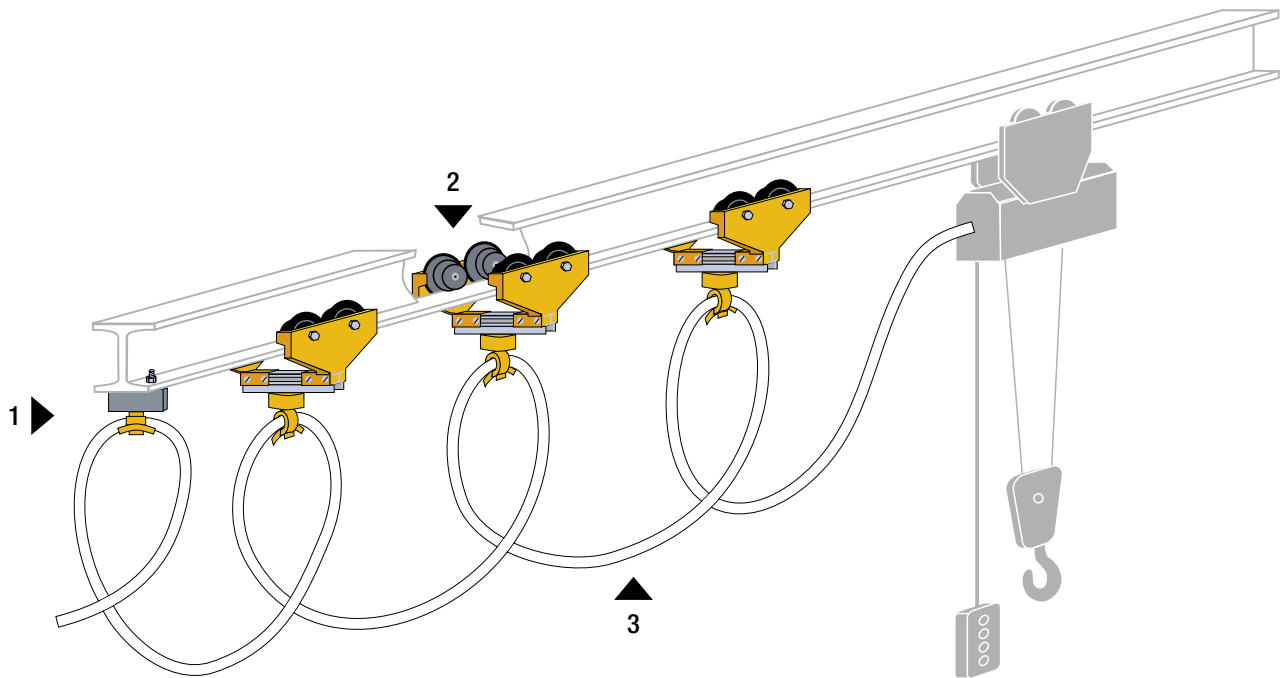
End Clamp



Part No.	Acid Resistant Part No.
020221-080	020421

Cable Trolleys for Round Cables Program 0314

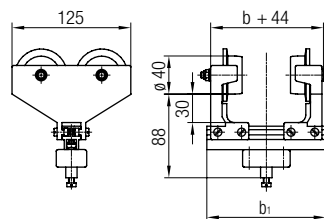
Festoon System for Round Cables



- 1. End Clamp
- 2. Cable Trolleys
- 3. Round Cable

Material Cable Trolleys for Round Cables	
Side Shield:	Plastic
Roller:	Nylon, Friction Bearing
Shaft:	Stainless Steel
Support Rail:	Aluminum
Ball Joint Housing:	Plastic
Clamping Piece:	Rubber
Fasteners:	Galvanized Steel

4 Wheel Plastic Trolley with Ball Joint Attachment



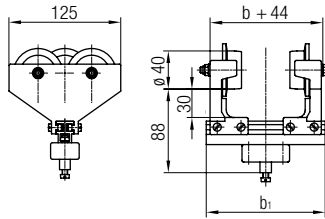
Application

Trolleys with ball joint are designed for use with round cables or hoses. Cable clip type 020131 for supporting cables or hoses must be ordered separately.

Part No.	Acid Resistant Part No.	b_1 [mm]	Max. Flange Width b [mm]	Max. Travel Speed [m/min]	Max. Load Capacity [kg]
022124-125	---	125	81	50	20
022124-160	022424-160	160	116		
022124-200	022424-200	200	156		
022124-250	---	250	206		

Cable Trolleys for Round Cables Program 0314

3 Wheel Plastic Trolley with Ball Joint Attachment

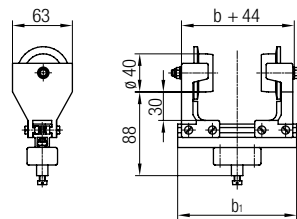


Application

Trolleys with ball joint are designed for use with round cables or hoses. Cable clip type 020131 for supporting cables or hoses must be ordered separately.

Part No.	Acid Resistant Part No.	b ₁ [mm]	Max. Flange Width b [mm]	Max. Travel Speed [m/min]	Max. Load Capacity [kg]
022123-125	---	125	81	50	10
022123-160	022423-160	160	116		
022123-200	022423-200	200	156		
022123-250	---	250	206		

2 Wheel Plastic Trolley with Ball Joint Attachment



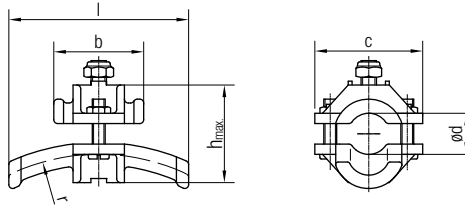
Application

Trolleys with ball joint are designed for use with round cables or hoses. Cable clip type 020131 for supporting cables or hoses must be ordered separately.

Part No.	Acid Resistant Part No.	b ₁ [mm]	Max. Flange Width b [mm]	Max. Travel Speed [m/min]	Max. Load Capacity [kg]
022122-125	---	125	81	50	10
022122-160	022422-160	160	116		
022122-200	022422-200	200	156		
022122-250	---	250	206		

Cable Trolleys for Round Cables Program 0314

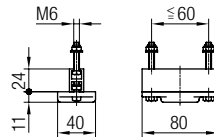
Cable Clip



It is possible to fit multiple cable clips onto a trolley. When fitting different size cable clips, the largest cable clip must be fitted on top.

Part No.	Acid Resistant Part No.	ød [mm]	r [mm]	l [mm]	h [mm]	b [mm]	c [mm]	Material Cable Clip
020131-16	020431-16	10 - 16	80	70	38	35	42	Plastic
020131-25	020431-25	17 - 25	125	100	47	50	50	
020131-36	020431-36	26 - 36	180	140	58	70	64	

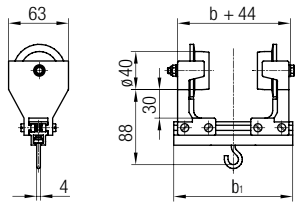
End Clamp



Part No.	Acid Resistant Part No.
020214-080	020414-080

Cable Trolleys for Round Cables Program 0314

2 Wheel Plastic Trolley with Hook Attachment

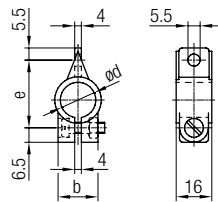


Application

Trolleys with hook are designed for use with cable collars for round cables or hoses. Cable collar type 020111 for cables or hoses must be ordered separately.

Part No.	b ₁ [mm]	Max. Flange Width b [mm]	Max. Travel Speed [m/min]	Max. Load Capacity [kg]
022112-125	125	81	50	10
022112-160	160	116		
022112-200	200	156		

Cable Collar

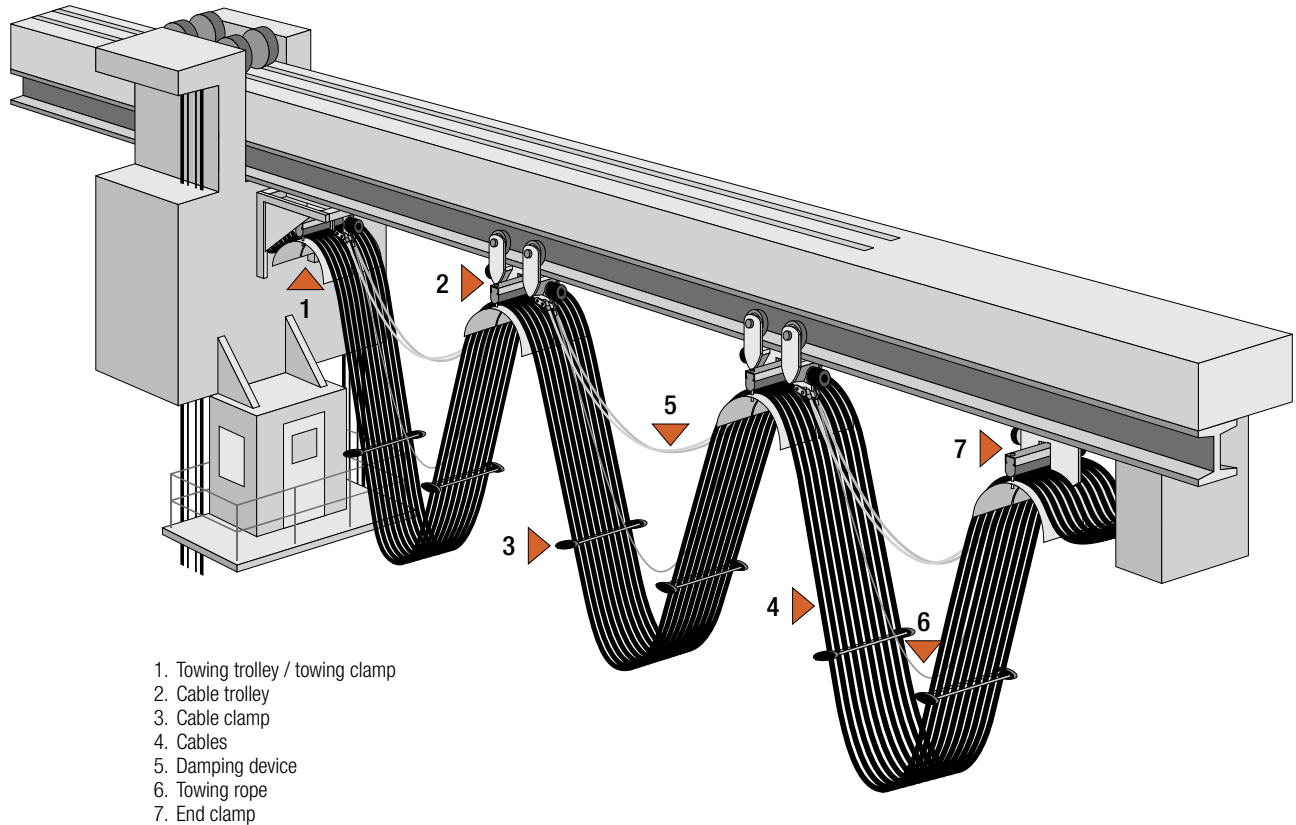


Cable collars for cables or hoses will attach to the hook on the trolley (Part No. 022112). It is possible to fit multiple cable clips onto a trolley. When stacking multiple cable collars, the largest cable collar must be fitted on top.

Part No.	ød [mm]	b [mm]	e [mm]	Material	
				Cable Collar	Fasteners
020111-08	8	18	23.0	Plastic	Galvanized Steel
020111-10	10		24.5		
020111-11	11		25.5		
020111-12,5	12.5		27.5		
020111-14	14		28.5		
020111-16	16		30.5		
020111-18	18	32.5	23		
020111-20	20	34.5			
020111-22	22	36.5			
020111-25	25	39.5			
020111-28	28	42.5			
020111-32	32	46.5			
020111-36	36	50.5			

System Arrangement

Festoon System for Flat and Round Cables



Design Features

- Base trolley and cable supports: galvanized steel
- Fasteners: galvanized steel
- Running gear spacers are made of aluminum
- Clamping Piece: rubber
- Flange guided rollers made of hardened steel
- Cylindrical main rollers: steel with ball bearings hardened or with polyurethane rollers
- Anti-lift rollers made of hardened steel with ball bearings

Ordering Example Program 0320

Example:

Trolley selection for a flat cable package size of 110 mm width x 45 mm height set for a IPE100 I-Beam with flanged rollers.

Selection:

Cable support diameter $d_a = 125$ mm, according to minimum bend diameter of cable.
 $b_2 = 130$ mm
 $s = 60$ mm (as per table on page 11)

Part No.:

Cable Trolley without Anti-Lift Rollers
 032252-250x160/30-E100

Base Trolley _____
 Running Gear Designation _____
 Beam Suffix _____

Corresponding Tow Trolley with Anti-Lift Rollers
 032262-250x160/31-E100

Corresponding End Clamp
 032242-250x160

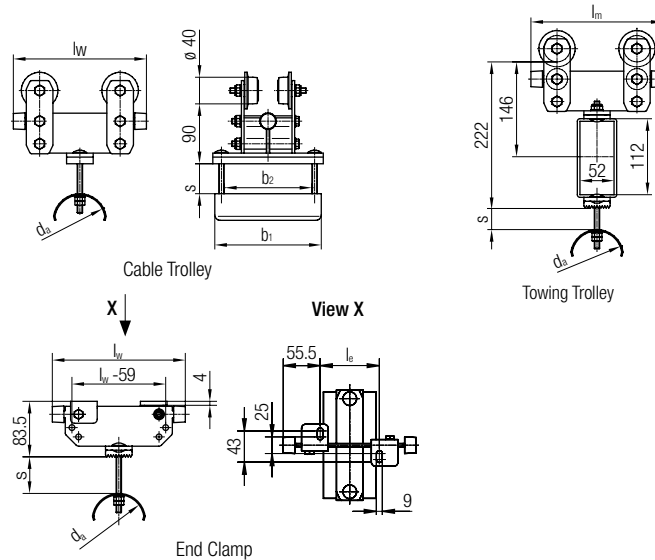
Cable Trolleys Program 0320

Steel Trolleys for Flat Cables



- Max. Load Capacity 80 kg¹⁾
- Max. Travel Speed 100 m/min¹⁾
- Other Trolley Sizes available upon request

1) depending on roller size and roller material



Cable Trolley Part No.	End Clamp Part No.	Towing Trolley Part No.	d_a [mm]	l_w [mm]	b_1 [mm]	b_2 [mm]	s [mm]	l_e [mm]	l_m [mm]			
032250-160x100/...	032240-160x100	032260-200x100/...	80	160	100	70	35	49	200			
032250-160x160/...	032240-160x160	032260-200x160/...			160	130						
032250-200x100/...	032240-200x100	032260-200x100/...			200	100	70			55	89	
032250-200x160/...	032240-200x160	032260-200x160/...				160	130					
032252-200x100/...	032242-200x100	032262-200x100/...	125	200	100	70	35	89	200			
032252-200x160/...	032242-200x160	032262-200x160/...			160	130						
032252-250x100/...	032242-250x100	032262-250x100/...			250	100	70			60	139	250
032252-250x160/...	032242-250x160	032262-250x160/...				160	130					
032252-250x200/...	032242-250x200	032262-250x200/...	160	250	200	170	40	139	250			
032253-250x160/...	032243-250x160	032263-250x160/...			175	130						
032253-250x200/...	032243-250x200	032263-250x200/...			280	215	170			55	169	280
032253-280x160/...	032243-280x160	032263-280x160/...				175	130					
032253-280x200/...	032243-280x200	032263-280x200/...			215	170						

Running Gear with $\phi 40/55$ mm Flanged Rollers (for parallel and tapered flange I-Beams)	
Without Anti-Lift Rollers	
Running Gear Designation with Hardened Steel Rollers .../30-...	
With Anti-Lift Rollers	
Running Gear Designation with Hardened Steel Rollers .../31-...	

Running Gear with $\phi 40$ mm Cylindrical Main Rollers (for tapered flange I-Beams only)	
Without Anti-Lift Rollers	
Running Gear Designation with Hardened Steel Rollers .../10-... with Polyurethane Rollers .../12-...	
With Anti-Lift Rollers	
Running Gear Designation with Hardened Steel Rollers .../11-... with Polyurethane Rollers .../13-...	

Beam Suffix	Beam Size
...-N080	INP 080
...-N100	INP 100
...-N120	INP 120
...-N140	INP 140
...-N160	INP 160
...-N180	INP 180
...-E080	IPE 080
...-E100	IPE 100
...-E120	IPE 120
...-E140	IPE 140
...-E160	IPE 160
...-E180	IPE 180
...-E200	IPE 200
---	---

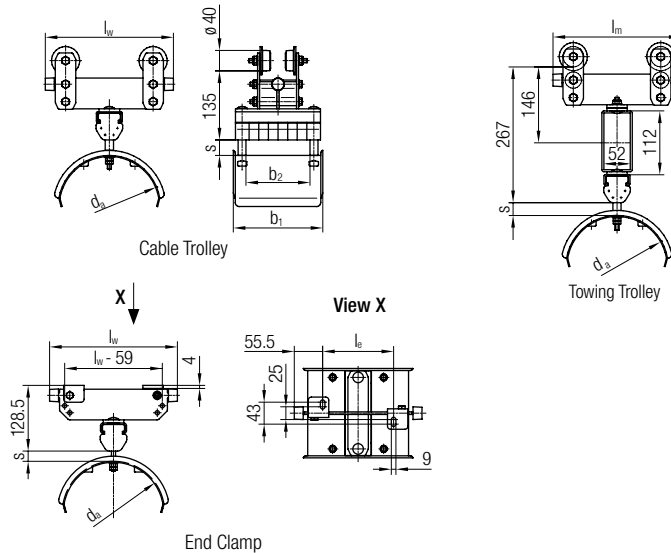
Cable Trolleys Program 0320

Steel Trolleys for Round Cables



- Max. Load Capacity 80 kg¹⁾
- Max. Travel Speed 100 m/min¹⁾
- Other Trolley Sizes available upon request

1) depending on roller size and roller material



Cable Trolley Part No.	End Clamp Part No.	Towing Trolley Part No.	d_a [mm]	l_w [mm]	b_1 [mm]	b_2 [mm]	s [mm]	l_e [mm]	l_m [mm]
032464-250x160/...	032494-250x160	032474-250x160/...	200	250	175	125	20	139	250
032464-250x200/...	032494-250x200	032474-250x200/...			215	165			
032465-320x160/...	032495-320x160	032475-320x160/...	250	320	175	125	25	209	320
032465-320x200/...	032495-320x200	032475-320x200/...			215	165			
032465-320x250/...	032495-320x250	032475-320x250/...			265	215			
032467-400x160/...	032497-400x160	032477-400x160/...	320	400	175	125	32	289	400
032467-400x200/...	032497-400x200	032477-400x200/...			215	165			
032467-400x250/...	032497-400x250	032477-400x250/...			265	215			

For tow trolleys, running gears with anti-lift rollers are recommended. Running gears for other beam styles are available on request. Please contact us.

Running Gear with $\phi 40/55$ mm Flanged Rollers (for parallel and tapered flange I-Beams)	
Without Anti-Lift Rollers	
Running Gear Designation with Hardened Steel Rollers .../30-...	
With Anti-Lift Rollers	
Running Gear Designation with Hardened Steel Rollers .../31-...	

Running Gear with $\phi 40$ mm Cylindrical Main Rollers (for tapered flange I-Beams only)	
Without Anti-Lift Rollers	
Running Gear Designation with Hardened Steel Rollers .../10-... with Polyurethane Rollers .../12-...	
With Anti-Lift Rollers	
Running Gear Designation with Hardened Steel Rollers .../11-... with Polyurethane Rollers .../13-...	

Beam Suffix	Beam Size
...-N080	INP 080
...-N100	INP 100
...-N120	INP 120
...-N140	INP 140
...-N160	INP 160
...-N180	INP 180
...-E080	IPE 080
...-E100	IPE 100
...-E120	IPE 120
...-E140	IPE 140
...-E160	IPE 160
...-E180	IPE 180
...-E200	IPE 200
---	---

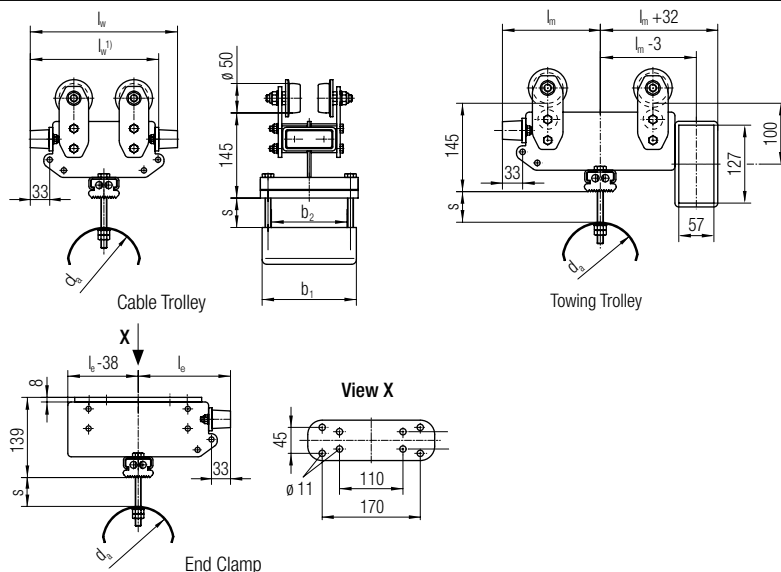
Cable Trolleys Program 0325

Steel Trolleys for Flat Cables



- Max. Load Capacity 125 kg¹⁾
- Max. Travel Speed 120 m/min¹⁾
- Other Trolley Sizes available upon request

1) depending on roller size and roller material



Cable Trolley Part No.	End Clamp Part No.	Towing Trolley Part No.	d _a [mm]	l _w [mm]	b ₁ [mm]	b ₂ [mm]	s [mm]	l _e [mm]	l _m [mm]
032652-220x160/...	032642-320x160	032662-320x160/...	125	220 ¹⁾	160	128	35	160	160
032652-220x200/...	032642-320x200	032662-320x200/...		200	168	50			
032652-250x160/...	032642-320x160	032662-320x160/...		250	160		128		
032652-250x200/...	032642-320x200	032662-320x200/...			200	168			
032653-290x160/...	032643-320x160	032663-320x160/...	160	290 ¹⁾	175	128	50		
032653-290x200/...	032643-320x200	032663-320x200/...			215	168			
032653-290x250/...	032643-320x250	032663-320x250/...			265	218			
032653-320x160/...	032643-320x160	032663-320x160/...		320	175	128	70		
032653-320x200/...	032643-320x200	032663-320x200/...			215	168			
032653-320x250/...	032643-320x250	032663-320x250/...		265	218				
032654-320x160/...	032644-320x160	032664-320x160/...	200	320	175	128	50		
032654-320x200/...	032644-320x200	032664-320x200/...			215	168			
032654-320x250/...	032644-320x250	032664-320x250/...			265	218			

1) Trolley with one buffer only

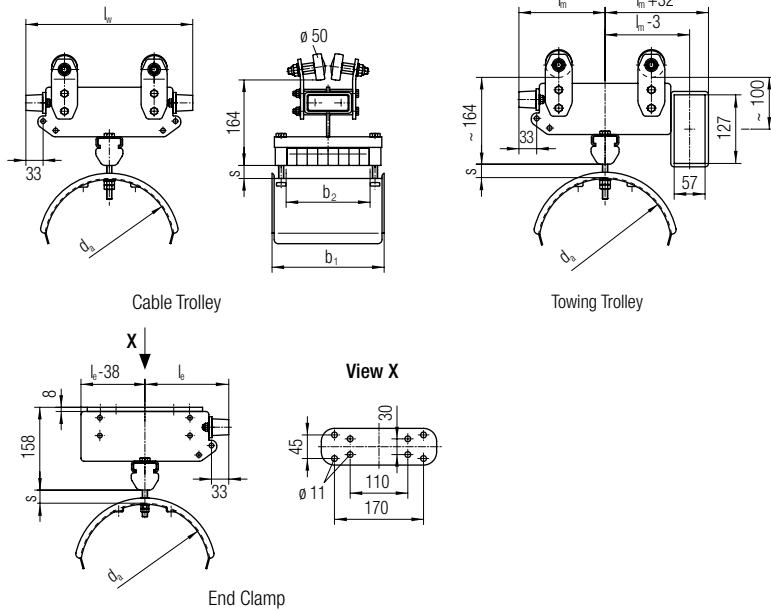
Running Gear with $\varnothing 50/63$ mm Flanged Rollers (for parallel and tapered flange I-Beams)	
Without Anti-Lift Rollers	
Running Gear Designation with Hardened Steel Rollers .../70-...	
With Anti-Lift Rollers	
Running Gear Designation with Hardened Steel Rollers .../71-...	

Running Gear with $\varnothing 50$ mm Cylindrical Main Rollers (for tapered flange I-Beams only)	
Without Anti-Lift Rollers	
Running Gear Designation with Hardened Steel Rollers .../50-... with Plastic Rollers .../60-...	
With Anti-Lift Rollers	
Running Gear Designation with Hardened Steel Rollers .../51-... with Polyurethane Rollers .../61-...	

Beam Suffix	Beam Size
...-N100	INP 100
...-N120	INP 120
...-N140	INP 140
...-N160	INP 160
...-N180	INP 180
...-E080	IPE 080
...-E100	IPE 100
...-E120	IPE 120
...-E140	IPE 140
...-E160	IPE 160
...-E180	IPE 180
...-E200	IPE 200
---	---
---	---

Cable Trolleys Program 0325

Steel Trolleys for Round Cables



- Max. Load Capacity 125 kg¹⁾
- Max. Travel Speed 120 m/min¹⁾
- Other Trolley Sizes available upon request

1) depending on roller size and roller material

Cable Trolley Part No.	End Clamp Part No.	Towing Trolley Part No.	d_a [mm]	l_w [mm]	b_1 [mm]	b_2 [mm]	s [mm]	l_e [mm]	l_m [mm]
032865-320x160/...	032895-320x160	032875-320x160/...	250	320	175	121	25	160	160
032865-320x200/...	032895-320x200	032875-320x200/...			215	161			
032865-320x250/...	032895-320x250	032875-320x250/...			265	211			
032867-400x160/...	032897-400x160	032877-400x160/...	320	400	175	121	32	200	200
032867-400x200/...	032897-400x200	032877-400x200/...			215	161			
032867-400x250/...	032897-400x250	032877-400x250/...			265	211			

For tow trolleys, running gears with anti-lift rollers are recommended. Running gears for other beam styles are available on request. Please contact us.

Running Gear with $\phi 50/63$ mm Flanged Rollers (for parallel and tapered flange I-Beams)		Running Gear with $\phi 50$ mm Cylindrical Main Rollers (for tapered flange I-Beams only)		Beam Suffix	Beam Size
Without Anti-Lift Rollers		Without Anti-Lift Rollers		...-N100	INP 100
Running Gear Designation with Hardened Steel Rollers .../70-...		Running Gear Designation with Hardened Steel Rollers .../50-... with Polyurethane Rollers .../60-...		...-N120	INP 120
	With Anti-Lift Rollers		...-N140	INP 140	
Running Gear Designation with Hardened Steel Rollers .../71-...		Running Gear Designation with Hardened Steel Rollers .../51-... with Polyurethane Rollers .../61-...		...-N160	INP 160
	Without Anti-Lift Rollers		...-N180	INP 180	
Without Anti-Lift Rollers		Without Anti-Lift Rollers		...-E080	IPE 080
Without Anti-Lift Rollers		Without Anti-Lift Rollers		...-E100	IPE 100
Without Anti-Lift Rollers		Without Anti-Lift Rollers		...-E120	IPE 120
Without Anti-Lift Rollers		Without Anti-Lift Rollers		...-E140	IPE 140
Without Anti-Lift Rollers		Without Anti-Lift Rollers		...-E160	IPE 160
Without Anti-Lift Rollers		Without Anti-Lift Rollers		...-E180	IPE 180
Without Anti-Lift Rollers		Without Anti-Lift Rollers		...-E200	IPE 200
Without Anti-Lift Rollers		Without Anti-Lift Rollers		---	---
Without Anti-Lift Rollers		Without Anti-Lift Rollers		---	---

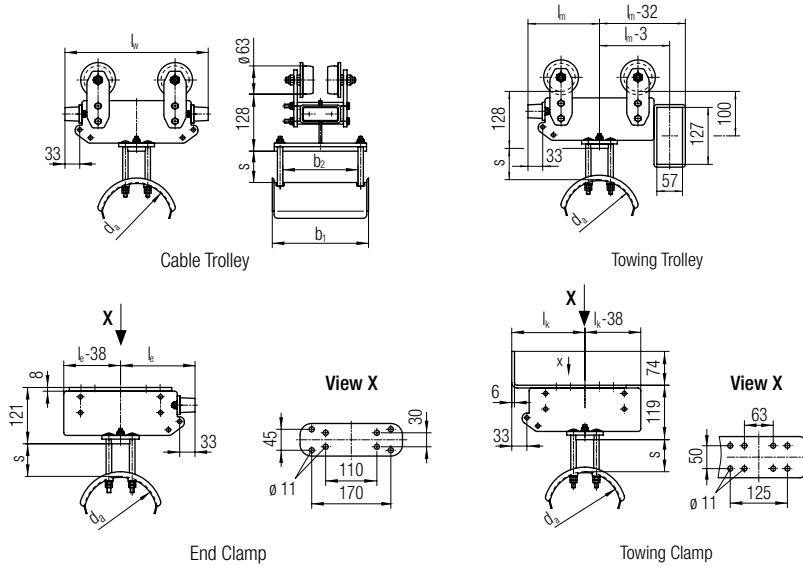
Cable Trolleys Program 0330

Steel Trolley for Flat Cables



- Max. Load Capacity 200 kg¹⁾
- Max. Travel Speed 150 m/min¹⁾
- Other Trolley Sizes available upon request

1) depending on roller size and roller material



Cable Trolley Part No.	End Clamp Part No.	Towing Trolley Part No.	Towing Clamp Part No.	d _a [mm]	l _w [mm]	b ₁ [mm]	b ₂ [mm]	s [mm]	l _e [mm]	l _m [mm]	l _k [mm]		
033252-250x160/...	033242-320x160	033262-320x160/...	033272-320x160	125	250	175	128	50	160	160	160		
033252-250x200/...	033242-320x200	033262-320x200/...	033272-320x200			215	168						
033252-250x250/...	033242-320x250	033262-320x250/...	033272-320x250			265	218						
033252-320x160/...	033242-320x160	033262-320x160/...	033272-320x160			320	175					128	85
033252-320x200/...	033242-320x200	033262-320x200/...	033272-320x200				215					168	
033252-320x250/...	033242-320x250	033262-320x250/...	033272-320x250				265					218	
033253-320x160/...	033243-320x160	033263-320x160/...	033273-320x160	160	320	175	128	70	160	160	160		
033253-320x200/...	033243-320x200	033263-320x200/...	033273-320x200			215	168						
033253-320x250/...	033243-320x250	033263-320x250/...	033273-320x250			265	218						
033254-400x160/...	033244-400x160	033264-400x160/...	033274-400x160	200	400	175	128	85	200	200	200		
033254-400x200/...	033244-400x200	033264-400x200/...	033274-400x200			215	168						
033254-400x250/...	033244-400x250	033264-400x250/...	033274-400x250			265	218						

Running Gear with $\phi 63/80$ mm Flanged Rollers (for parallel and tapered flange I-Beams)	
Without Anti-Lift Rollers	
Running Gear Designation with Hardened Steel Rollers .../90-...	
With Anti-Lift Rollers	
Running Gear Designation with Hardened Steel Rollers .../91-...	

Running Gear with $\phi 63$ mm Cylindrical Main Rollers (for tapered flange I-Beams only)	
Without Anti-Lift Rollers	
Running Gear Designation with Hardened Steel Rollers .../80-... with Polyurethane Rollers .../82-...	
With Anti-Lift Rollers	
Running Gear Designation with Hardened Steel Rollers .../81-... with Polyurethane Rollers .../83-...	

Beam Suffix	Beam Size
...-N120	INP 120
...-N140	INP 140
...-N160	INP 160
...-N180	INP 180
...-N200	INP 200
...-E100	IPE 100
...-E120	IPE 120
...-E140	IPE 140
...-E160	IPE 160
...-E180	IPE 180
...-E200	IPE 200
...-E220	IPE 220
---	---
---	---

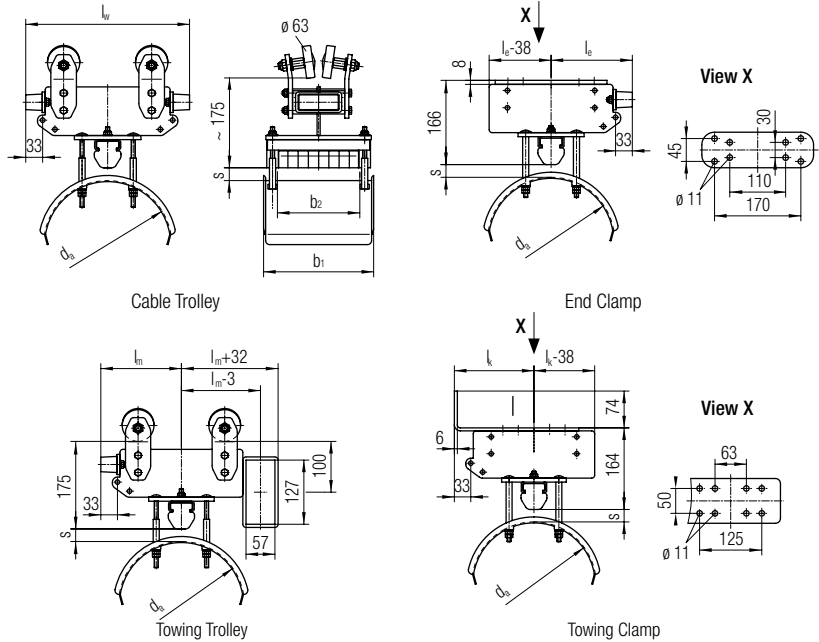
Cable Trolleys Program 0330

Steel Trolley for Round Cables



- Max. Load Capacity 200 kg¹⁾
- Max. Travel Speed 150 m/min¹⁾
- Other Trolley Sizes available upon request

1) depending on roller size and roller material



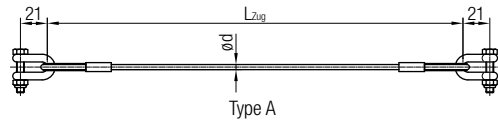
Cable Trolley Part No.	End Clamp Part No.	Towing Trolley Part No.	Towing Clamp Part No.	d _a [mm]	l _w [mm]	b ₁ [mm]	b ₂ [mm]	s [mm]	l _e [mm]	l _m [mm]	l _k [mm]
033465-320x160/...	033495-320x160	033475-320x160/...	033485-320x160	250	320	175	121	25	160	160	160
033465-320x200/...	033495-320x200	033475-320x200/...	033485-320x200			215	161				
033465-320x250/...	033495-320x250	033475-320x250/...	033485-320x250			265	211				
033467-400x160/...	033497-400x160	033477-400x160/...	033487-400x160	320	400	175	121	32	200	200	200
033467-400x200/...	033497-400x200	033477-400x200/...	033487-400x200			215	161				
033467-400x250/...	033497-400x250	033477-400x250/...	033487-400x250			265	211				

For tow trolleys, running gears with anti-lift rollers are recommended. Running gears for other beam styles are available on request. Please contact us.

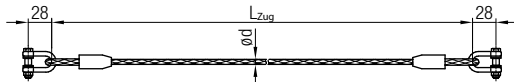
Running Gear with ø63/80 mm Flanged Rollers (for parallel and tapered flange I-Beams)		Running Gear with ø63 mm Cylindrical Main Rollers (for tapered flange I-Beams only)		Beam Suffix	Beam Size
Without Anti-Lift Rollers		Without Anti-Lift Rollers		...-N120	INP 120
Running Gear Designation with Hardened Steel Rollers .../90-...		Running Gear Designation with Hardened Steel Rollers .../80-... with Polyurethane Rollers .../82-...		...-N140	INP 140
				...-N160	INP 160
With Anti-Lift Rollers		With Anti-Lift Rollers		...-N180	INP 180
Running Gear Designation with Hardened Steel Rollers .../91-...		Running Gear Designation with Hardened Steel Rollers .../81-... with Polyurethane Rollers .../83-...		...-N200	INP 200
				...-E100	IPE 100
				...-E120	IPE 120
				...-E140	IPE 140
				...-E160	IPE 160
				...-E180	IPE 180
				...-E200	IPE 200
				...-E220	IPE 220
				---	---
				---	---

Accessories for Festoon Systems Program 0320, 0325 and 0330

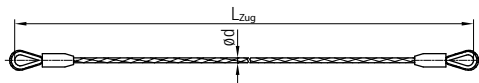
Tow Ropes



Type A



Type B

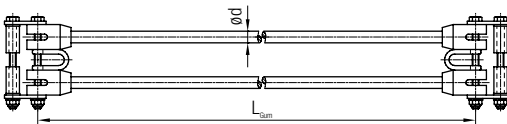


Type C

Type C suggested for use with Damping Rope assembly.
Different types and lengths available upon request.

Part No.	ød [mm]	Material Rope	Type	Program
020328-04	4	Galvanized Steel	A	0320
020329-04	4	Galvanized Steel (w/PVC Jacket)		
020328-06	6	Galvanized Steel	B	0325, 0330
020329-08	8	Galvanized Steel (w/PVC Jacket)		
020325-08	8	Galvanized Steel (w/PVC Jacket)		

Damping Devices



Note:

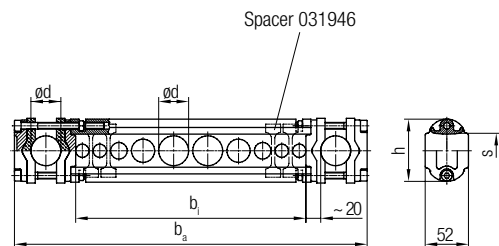
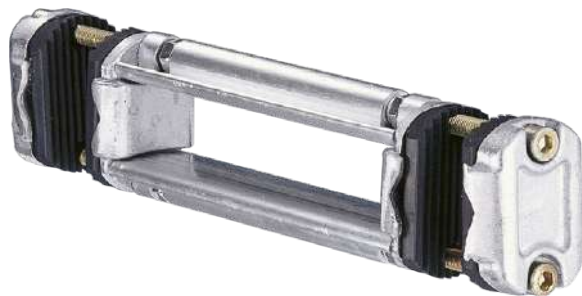
In case of order please state the lengths L_{Gum} of the respective Damping Ropes.

Different types and lengths available upon request.

Part No.	ød [mm]	Material Rope	Program
020337-10	10	Rubber core with a Nylon jacket	0325, 0330
020337-14	14		

Accessories for Festoon Systems Program 0320, 0325 and 0330

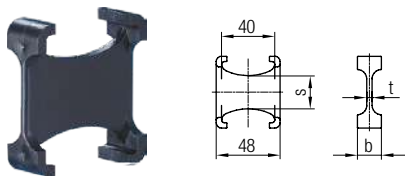
Round Cable Clamps



Part No.	$\varnothing d_{\max}$ [mm]	b_1 [mm]	b_a [mm]	h [mm]	s [mm]	$\Sigma d^1)$ [mm]	Support Rail	Material Cable Clip	Fasteners	Weight [kg]
031941-026x100/400	26	100	236	64	30	34	Aluminum	Rubber	Stainless Steel	0.95
031941-026x150/400		150	286							1.07
031941-026x200/400		200	336							1.09
031941-026x250/400		250	386							1.31
031941-036x100/400	36	100	256	74	40	46				1.04
031941-036x150/400		150	306							1.16
031941-036x200/400		200	356							1.28
031941-036x250/400		250	406							1.40

1) A cable spacer is required between cables if the sum of the diameters of two adjacent cables is smaller than the value Σd .

Spacers



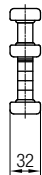
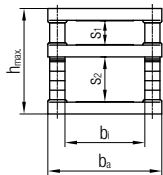
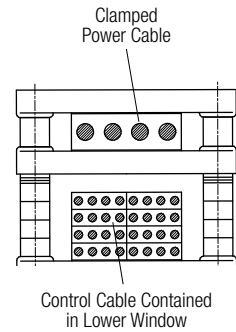
Part No.	s [mm]	t [mm]	b [mm]	Material	Used with Round Cable Clamp
031946-26	25	4	18	Plastic	031941-026x...
031946-36	35	5	19		031941-036x...

Accessories for Festoon Systems Program 0320, 0325 and 0330

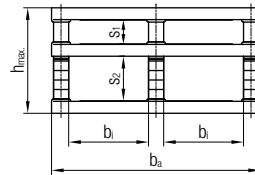
Flat Cable Clamps



Power cables are clamped in upper window s_1 , control cables are contained in lower window s_2 with sufficient space ($> 2\text{ mm}$) to allow the cables to move freely. Flat cable clamps are supplied pre-assembled with upper window s_1 of minimum size and lower window s_2 of maximum size. The cable clamps can be adjusted to fit cable packages by transferring spacers from window s_2 to window s_1 .



020126...
031953...

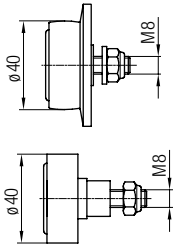


031955...

Part No.	b_i [mm]	b_a [mm]	$s_1 + s_2$ [mm]		$s_{1min.}$ [mm]	$h_{max.}$ [mm]	Material		Weight [kg]				
							Cable Clamps	Fasteners					
020126-054x018	54	90	18	+2.5	3	50	Galvanized Steel	0.07					
020126-054x028			28			60		0.08					
020126-054x038			38			70		0.09					
031953-084x025/400	84	120	25	+2.5	5	60	Plastic	0.16					
031953-084x035/400			35			70		0.17					
031953-084x045/400			45			80		0.18					
031953-084x055/400			55			90		0.19					
031953-084x065/400			65			100		0.21					
031953-136x025/400			136			172		25	+2.5	5	60	Stainless Steel	0.22
031953-136x035/400								35			70		0.23
031953-136x045/400	45	80		0.24									
031953-136x055/400	55	90		0.25									
031953-136x065/400	65	100		0.26									
031953-136x075/400	75	110		0.27									
031953-136x085/400	85	120	0.28										
031955-084x035/400	84	220	35	+2.5	5	70	Stainless Steel	0.41					
031955-084x045/400			45			80		0.43					
031955-084x055/400			55			90		0.44					
031955-084x065/400			65			100		0.46					
031955-084x075/400			75			110		0.48					
031955-103x025/400	103	258	25	+2.5	5	60	Stainless Steel	0.42					
031955-103x035/400			35			70		0.43					
031955-103x045/400			45			80		0.46					
031955-103x055/400			55			90		0.47					
031955-103x065/400			65			100		0.49					
031955-103x075/400			75			110		0.51					

Wear Parts for Cable Trolleys Program 0320, 0325 and 0330

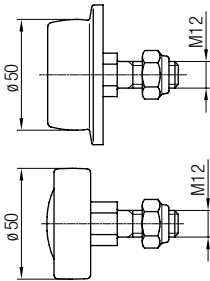
Replacement Rollers for Program 0320



\varnothing 40/55 mm Flanged Roller	Part No.	Type with
	030101-040	Hardened Steel Roller

\varnothing 40 mm Cylindrical Main Roller	Part No.	Type with	Beam Size INP
	030102-040.1	Hardened Steel Roller	80 - 120
	030102-040.2		140 - 180
	030103-040.1	Polyurethane Roller	80 - 120
	030103-040.2		140 - 180

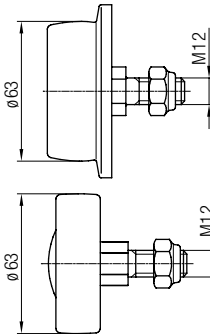
Replacement Rollers for Program 0325



\varnothing 50/63 mm Flanged Roller	Part No.	Type with
	030101-050	Hardened Steel Roller

\varnothing 50 mm Cylindrical Main Roller	Part No.	Type with	Beam Size INP
	030102-050.1	Hardened Steel Roller	100
	030102-050.2		120 - 180
	030113-050.1	Polyurethane Roller	100
	030113-050.3		120 - 180

Replacement Rollers for Program 0330



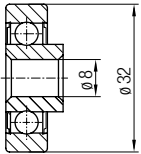
\varnothing 63/80 mm Flanged Roller	Part No.	Type with
	030101-063	Hardened Steel Roller

\varnothing 63 mm Cylindrical Main Roller	Part No.	Type with	Beam Size INP
	030102-063.1	Hardened Steel Roller	120 - 140
	030102-063.2		160 - 200
	030113-063.1	Polyurethane Roller	120 - 140
	030113-063.2		160 - 200

Wear Parts for Cable Trolleys

Program 0320, 0325 and 0330

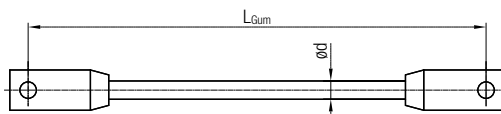
Replacement Anti-Lift Roller for Program 0320, 0325 and 0330



Part No.

02-K012-0062

Damping Ropes for Program 0325 and 0330



Technical details

- Damping Rope: rubber with plastic plait
- Fasteners: stainless steel/hot-dipped galvanized steel

Part No.	$\varnothing d$ [mm]	Weight [kg/m]
020336-10	10	0.09
020336-14	14	0.17

Note:

In case of order please state the lengths L_{Gum} of the respective damping ropes.

Service – tailor-made

Complete service competence

The scope and depth of the Conductix-Wampfler range of services is based on the requests and requirements of the customers. From planning to long-term agreements, anything is possible – according to your needs. Plus, the more complex the system layout and the expectations of operational life and operational safety, the more sense it makes to utilize our competent service team. Ask us!

Project planning

- Determining the application parameters
- Selecting the optimal cable trolley technology and suitable cables – optimized to customer requirements, application parameters and environmental factors

Pre-assembly

- Mounting the cable trolleys on the transport beam
- Laying out and aligning the cables
- Installing the equipment
- Loading and transporting the festoon system to its site of operation



Final assembly & inspection

- Ensuring the correct assembly on site
- Completing the installation, inspection, and commissioning using trained and experienced personnel

Maintenance & service

- Regular maintenance and inspections increase the operational life of the facility, ensuring its long-term availability
- Conductix-Wampfler service agreements: the “complete worry-free package”



The experts of Conductix-Wampfler accompany their customers from planning through pre-assembly right up to the on-site installation – anywhere in the world!



Your Applications – our Solutions

Festoon Systems from Conductix-Wampfler represent only one of the many solutions made possible by the broad spectrum of Conductix-Wampfler components for the transport of energy, data and media supply systems. The solutions we deliver for your applications are of course based on your specific requirements. In many cases, a combination of several different Conductix-Wampfler systems can prove advantageous. You can count on all of Conductix-Wampfler's Business Units for hands-on engineering support – coupled with the perfect solution to meet your energy management and control needs.



Cable reels

Motorized reels and spring reels by Conductix-Wampfler hold their own wherever energy, data and media have to cover the most diverse distances within a short amount of time – in all directions, fast and safe.



Festoon systems

It's hard to imagine Conductix-Wampfler cable trolleys not being used in virtually every industrial application. They're reliable and robust and available in an enormous variety of dimensions and designs.



Conductor rails

Whether they're enclosed conductor rails or expandable single-pole systems, the proven conductor rails by Conductix-Wampfler reliably move people and material.



Non-insulated conductor rails

Extremely robust, non-insulated conductor rails with copper heads or stainless steel surfaces provide the ideal basis for rough applications, for example in steel mills or shipyards.



Energy guiding chains

The "Jack of all trades" when it comes to transferring energy, data, air and fluid hoses. With their wide range, these energy guiding chains are the ideal solution for many industrial applications.



Slip ring assemblies

Whenever things are really "moving in circles", the proven slip ring assemblies by Conductix-Wampfler ensure the flawless transfer of energy and data. Here, everything revolves around flexibility and reliability!



Inductive Power Transfer IPT®

The no-contact system for transferring energy and data. For all tasks that depend on high speeds and absolute resistance to wear.



Reels, retractors and balancers

Whether for hoses or cables, as classical reels or high-precision positioning aids for tools, our range of reels and spring balancers take the load off your shoulders.



Jib booms

Complete with tool transporters, reels, or an entire media supply system – here, safety and flexibility are key to the completion of difficult tasks.



Conveyor systems

Whether manual, semiautomatic or with Power & Free – flexibility is achieved with full customization concerning layout and location.

www.conductix.com

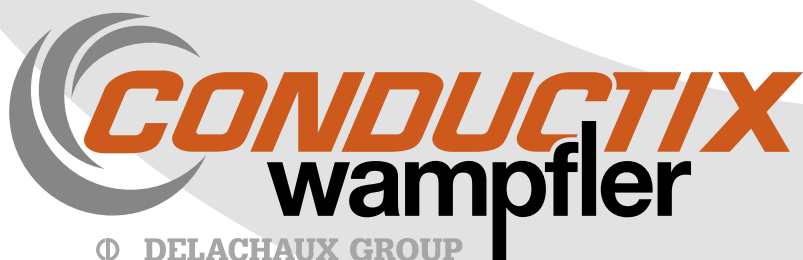
Conductix-Wampfler

has just one critical mission:

To provide you with energy and data transmission systems that will keep your operations up and running 24/7/365.

To contact your nearest sales office, please refer to:

[www.conductix.com/
contact-search](http://www.conductix.com/contact-search)



DELACHAUX GROUP