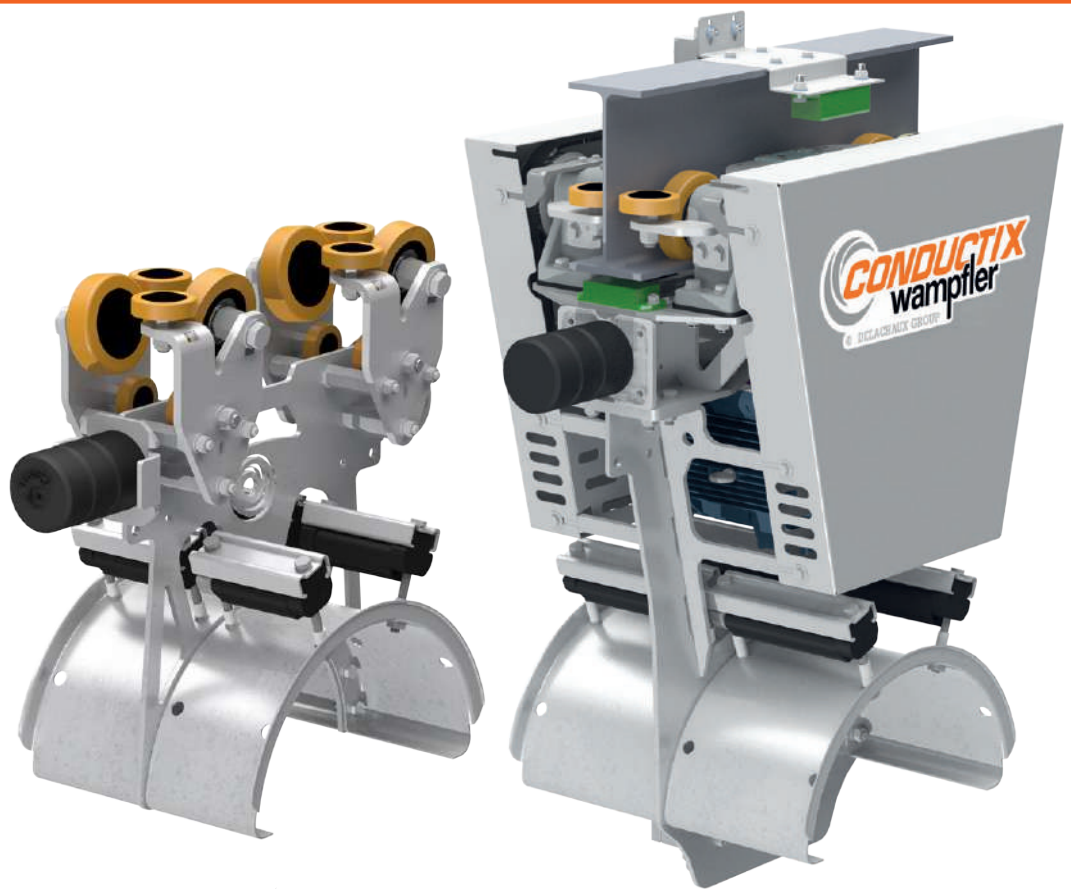


Festoon Systems for I-Beams

Program 0366 | 0375 | 0380



CONDUCTIX
wampfler
DELACHAUX GROUP

Contents

System Arrangement

Festoon System for Round Cables	4
System Components	4

Cable Trolleys for Round Cables Program 0366

Single Layer Cable Trolleys with Main Rollers \varnothing 112 mm / \varnothing 125 mm	5
Selection of Cable Trolleys and Towing Trolleys	6
Selection of End Clamps and Towing Clamps	7
Selection of Running Gears	7

Cable Trolleys for Round Cables Program 0375

Dual Layer Cable Trolleys with Main Rollers \varnothing 125 mm / \varnothing 160 mm	9
Selection of Cable Trolleys and Towing Trolleys	10
Selection of End Clamps and Towing Clamps	11
Selection of Running Gears	11

Motorized Cable Trolleys Program 0380

Motorized Cable Trolley with 1.95 kW / 3 kW Drive	13
Selection of Motorized Cable Trolley 1.95 kW	14
Selection of Motorized Cable Trolley 3 kW	14
Selection of Additional Configurations	15
Selection of Buffer Configuration	15
Additional Cable Saddles	15

Accessories for Festoon Systems Program 0366, 0375 and 0380

Towing Ropes	17
Damping Devices	17
Cable Organizers for Cable Loops	18
Additional Clamping Piece for Round Cable Clamps	18
Anti-Wind Damping Device	18
Round Cable Clamps	19
Spacers	20
Lifting Device	20

Control Cabinet / Wear Parts for Cable Trolleys Program 0366, 0375 and 0380

Festoon Control Cabinet	21
Replacement Rollers for Running Gear Types HMG and HMP	22
Shock Cords	22
Cellular Buffer 100x150	23
Cellular Buffer 150x110x080	23
Buffer Units	23

Wear Parts for Motorized Cable Trolleys Program 0380

Driving Rollers for Motorized Cable Trolleys	24
Horizontal Guide Rollers	24
Anti-lift Plates	24
Toothed Belts	25
Silent Blocks	25

Spare Parts for Cable Trolleys Program 0366, 0375 and 0380

Cable Supports Complete	26
Clamping Bars Complete	26

Spare Parts for Cable Trolleys Program 0366

Side Shields Complete	27
Running Gears Complete	28

Spare Parts for Cable Trolleys Program 0375

Side Shields Complete	30
Running Gear Complete	31

Spare Parts for Motorized Cable Trolleys Program 0380

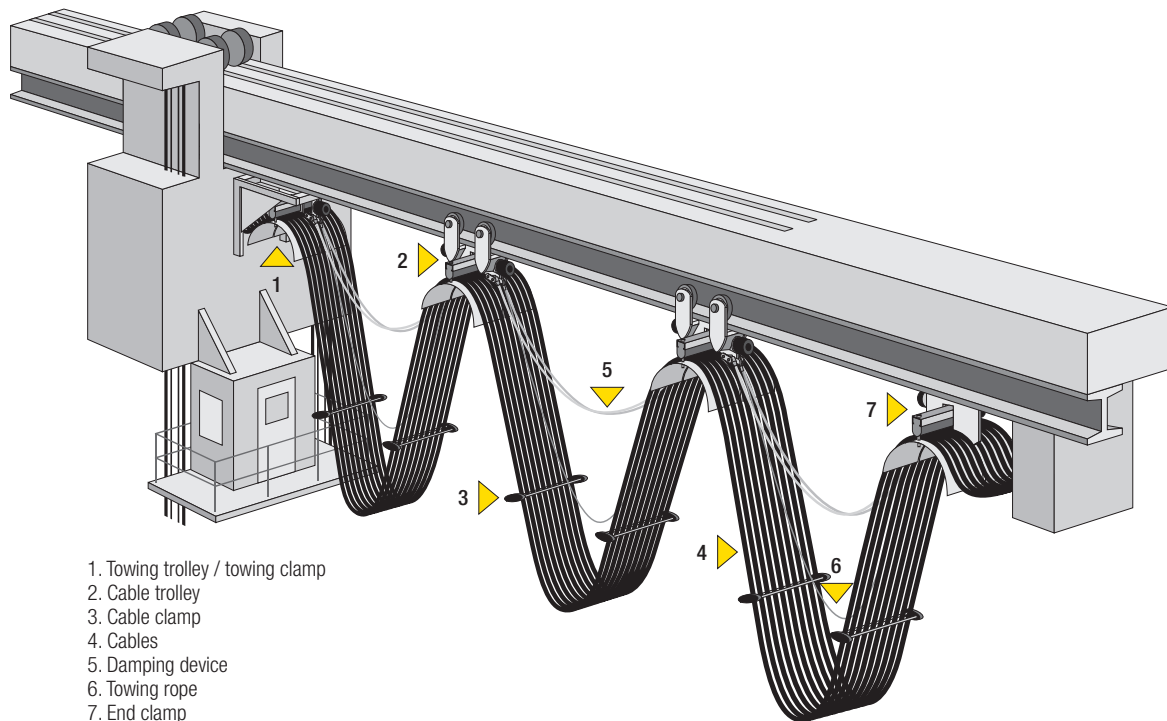
Motor Assemblies	32
Bearing Housings	32
Tooth Discs	33
Magnetic End Switch	33

Technical Appendix Specification of Preference Range I-Beams

34

System Arrangement

Festoon System for Round Cables



1. Towing trolley / towing clamp
2. Cable trolley
3. Cable clamp
4. Cables
5. Damping device
6. Towing rope
7. End clamp

System Components

A festoon system consists of the following components:

- 1 x end clamp
- X x cable trolley
- 1 x towing clamp or alternatively 1 x towing trolley
- Cable trolleys and towing trolleys require a running gear, which must be selected in addition to the trolley lower part
- Cable trolleys and towing trolleys are set to fit the exact track beam, in all cases the track beam must be specified
- The system components can be equipped with one additional cable support depending on the program.

To ensure optimum operation of the system, depending upon the application, various accessories must be added, e.g. flat or round cable clamps, towing ropes or damping devices.

The Order No. of the system components is determined by the combination of the following single sub-assemblies:

	Underpart with Cable Support	Running Gear	Track Beam Designation
Cable Trolley	•	•	•
Towing Trolley lower part	•	•	•
Towing Clamp	•	-	-
End Clamp	•	-	-

For order no. see the respective catalog pages of the programs.

The system components are completely assembled prior to delivery, cable trolleys and towing trolleys are adjusted to the respective track beam.

Cable Trolleys for Round Cables Program 0366

Single Layer Cable Trolleys with with Main Rollers \varnothing 112 mm / \varnothing 125 mm



Technical details

Cable supports	bolted to the center plate, lateral-loading and reinforced
Clamping bar	V-clamping (divided)
Buffers	cellular buffer on one side
Travel speed max. ¹⁾	300 m/min ²⁾
Load capacity max. ¹⁾	350 kg
Cable trolley underpart and running gear	hot-dip galvanized steel
Fasteners	stainless steel
Temperature range	-30°C to +50°C

¹⁾ depending on roller size/ roller material

²⁾ together with motorized trolleys

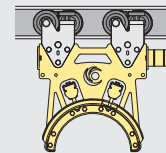
Ordering Example

Order No. 036623-93 - 755 - 0124

A cable trolley underpart with the following dimensions shall be used:

- Support diameter: $d_a = 460$ mm
- Clamping width: $b_2 = 125$ mm;
- Clamping height: $s = 46$ mm

Order No. 036623-93 (chosen from catalog page 6)

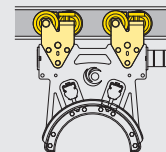


The following running gear has been chosen:

Type HMG

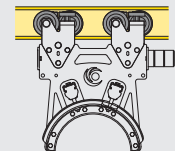
- Cylindrical main rollers \varnothing 112 mm with PU bandage
- With horizontal guide rollers with polyurethane bandage
- With anti-lift rollers made of stainless steel

Order No. 755 (chosen from catalog page 7)



The following track beam has been chosen:

- IPE 240
- I-beam code 0124 (chosen from catalog page 7)



The order no. of the appropriate towing clamp is:

036643-93

As an alternative to the towing clamp a towing trolley can be used.

The order no. of the appropriate towing trolley is:

036633-93-755-0124

The order no. of the appropriate end clamp is:

036613-93

The order no. of the appropriate towing trolley for the connection to the catenary trolley is:

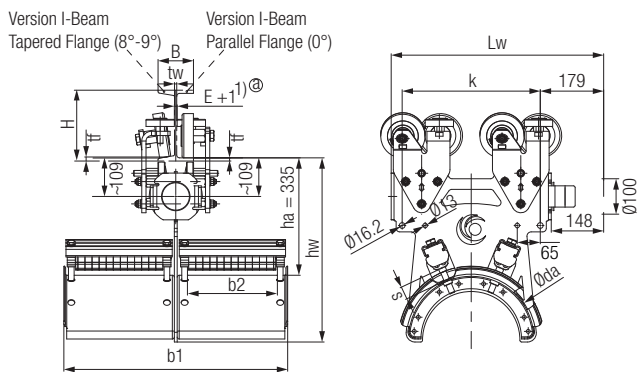
036653-93-755-0124

For calculation and selection please refer to the Engineering Guideline KAT0300-0101.

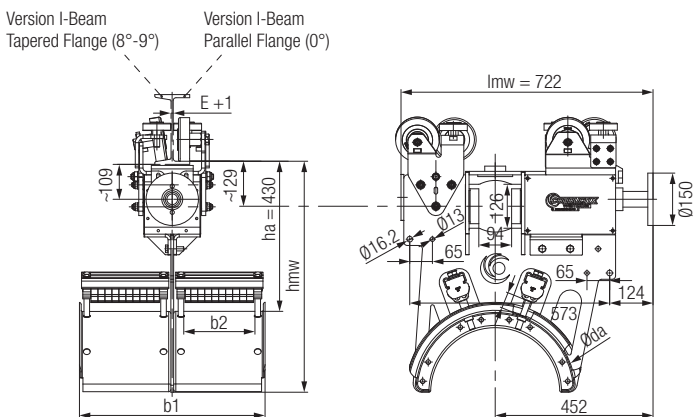
Cable Trolleys for Round Cables Program 0366

Selection of Cable Trolleys and Towing Trolleys

Cable Trolley

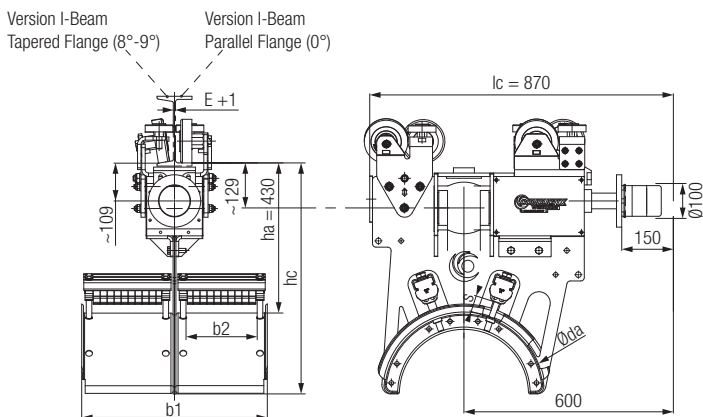


Towing Trolley



Cable Trolley Underpart without Running Gear		Towing trolley without Running Gear		d_a	l_w	b_1	b_2	s	k	h_w	h_{mw}
Order No.	[kg]	Order No.	[kg]	[mm]	[mm]	[mm]	[mm]	[mm]	[mm]	[mm]	[mm]
036623-83	23	036633-83	61	360	600	384	125	36	390	515	614
036623-86	27	036633-86	64			532	200				
036623-88	29	036633-88	66			632	250				
036623-93	28	036633-93	65	460	700	384	125	46	490	565	664
036623-96	32	036633-96	69			532	200				
036623-98	35	036633-98	72			632	250				

Towing Trolley for Catenary Trolley



Notes on the directional installation of the festoon systems towing trolley at the cranes catenary trolley:

Please reference the system drawing in your order documentation.

In general, it is critical to point out:

The buffer unit of the towing trolley mounted to the cranes catenary trolley is oriented so that the buffer unit is pointing toward the towing unit of the festoon system.

Notes:

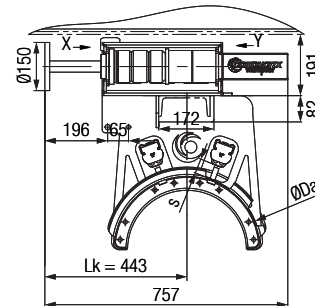
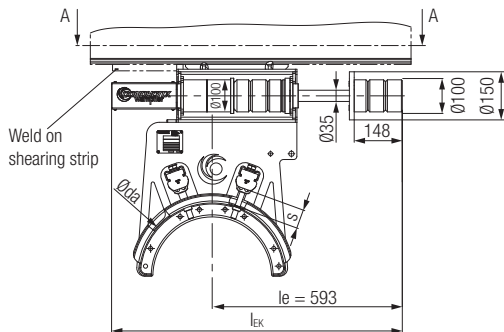
- The table only refers to the cable trolley or the towing trolley under part
- The running gear must be selected and added. (see page 5 in this catalog)
- Additional supports are not available in this program

Towing Trolley Underpart for Catenary Trolley without Running Gear		d_a	l_c	b_1	b_2	s	k	h_a	h_c
Order No.	[kg]	[mm]	[mm]	[mm]	[mm]	[mm]	[mm]	[mm]	[mm]
036653-83	61	360	886	384	125	36	573	430	614
036653-86	64			532	200				
036653-88	66			632	250				
036653-93	65	460	886	384	125	46	573	430	664
036653-96	69			532	200				
036653-98	72			632	250				

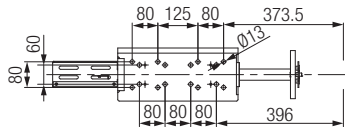
Cable Trolleys for Round Cables

Program 0366

Selection of End Clamps and Towing Clamps



Cutting A-A without cable support



View Y without cable support and center part

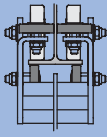
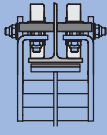


View X without cable support and center part



End Clamp Complete		Towing Clamp Complete		d_a	l_{EK}/l_{MK}	b_1	b_2	s	h_{EK}/h_{MK}
Order No.	[kg]	Order No.	[kg]	[mm]	[mm]	[mm]	[mm]	[mm]	[mm]
036613-83	49	036643-83	49	360	907	384	125	36	643
036613-86	52	036643-86	52			532	200		
036613-88	54	036643-88	54			632	250		
036613-93	53	036643-93	53	460	907	384	125	46	687
036613-96	57	036643-96	57			532	200		
036613-98	60	036643-98	60			632	250		

Selection of Running Gear

Running Gear		Order No.	Main Roller ϕd [mm]	Material Bandage	Weight approx. [kg]	Parallel-Flange	Preference Range I-Beam Code	I-Beam Code
 <p>Type HMG with cylindrical main rollers, horizontal guide rollers at the beam center web and anti-lift rollers</p>	755	112	Polyurethane	20	IPE 240	0124	0022	
	855	125	Polyurethane	22	G 3192 250x125x6x9 W 8x 18			INP 220 GB 706-65/20a G 3192 200x100x7x10x8° S8x 18.4
 <p>Type HMP with cylindrical main rollers, horizontal guide rollers at the beam center web and anti-lift plate</p>	759	112	Polyurethane	20	IPE 240	0124	0022	
	859	125	Polyurethane	22	G 3192 250x125x6x9 W 8x 18			INP 220 GB 706-65/20a G 3192 200x100x7x10x8° S8x 18.4

Notes / design

- Main roller $\phi 112$ mm: anti-lift roller $\phi 63$ mm made of stainless steel, horizontal guide roller $\phi 63$ mm with PU bandage
- Main roller $\phi 125$ mm: anti-lift roller $\phi 63$ mm made of stainless steel, horizontal guide roller $\phi 80$ mm with PU bandage
- As an alternative to the anti-lift rollers an anti-lift plate, made of plastic, can be used. (running gear HMP, but not for towing trolley and towing trolley for catenary trolley)
- The rollers are equipped with precision ball bearings and additional sealing disks (2RS1), the ball bearings are lifetime lubricated and therefore maintenance free



Cable Trolleys for Round Cables Program 0375

Dual Layer Cable Trolleys with Main Rollers $\varnothing 125 \text{ mm} / \varnothing 160 \text{ mm}$



Technical details

Cable supports	bolted to the center plate, lateral-loading and reinforced
Clamping bar	V-clamping (divided)
Buffers	double-sided cellular buffer
Travel speed max. ¹⁾	300 m/min ²⁾
Load capacity max. ¹⁾	800 kg
Cable trolley underpart and running gear	hot-dip galvanized steel
Fasteners	stainless steel
Temperature range	-30°C to +50°C

¹⁾ depending on roller size/ roller material

²⁾ together with motorized trolleys

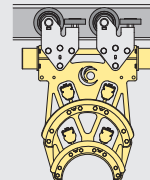
Ordering Example

Order No. 037523-9888 - 955 - 0220

A cable trolley underpart with the following dimensions shall be used:

- Support diameter: $d_a / d_{a2} = 460 / 360 \text{ mm}$
- Clamping width: $b_2 = 250 \text{ mm}$;
- Clamping height: $s / s_2 = 46 / 36 \text{ mm}$

Order No. 037523-9888 (chosen from catalog page 10)

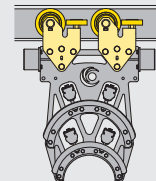


The following running gear has been chosen:

Type HMG

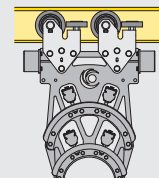
- Cylindrical main rollers $\varnothing 160 \text{ mm}$ with Polyurethan bandage
- With horizontal guide rollers with Polyurethan bandage
- With anti-lift rollers made of stainless steel

Order No. 955 (chosen from catalog page 11)



The following track beam has been chosen:

- G 3192 200x200x8x12
- I-beam code 0220 (chosen from catalog page 11)



The order no. of the appropriate towing clamp is:

037543-9888

As an alternative to the towing clamp a towing trolley can be used.

The order no. of the appropriate towing trolley is:

037533-9888-955-0220

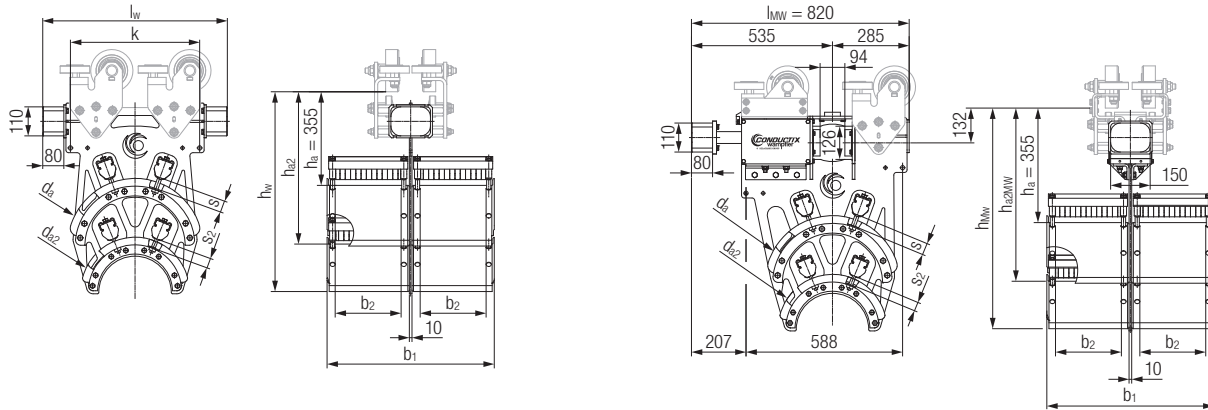
The order no. of the appropriate end clamp is:

037513-9888

For calculation and selection please refer to the Engineering Guideline KAT0300-0101.

Cable Trolleys for Round Cables Program 0375

Selection of Cable Trolleys and Towing Trolleys



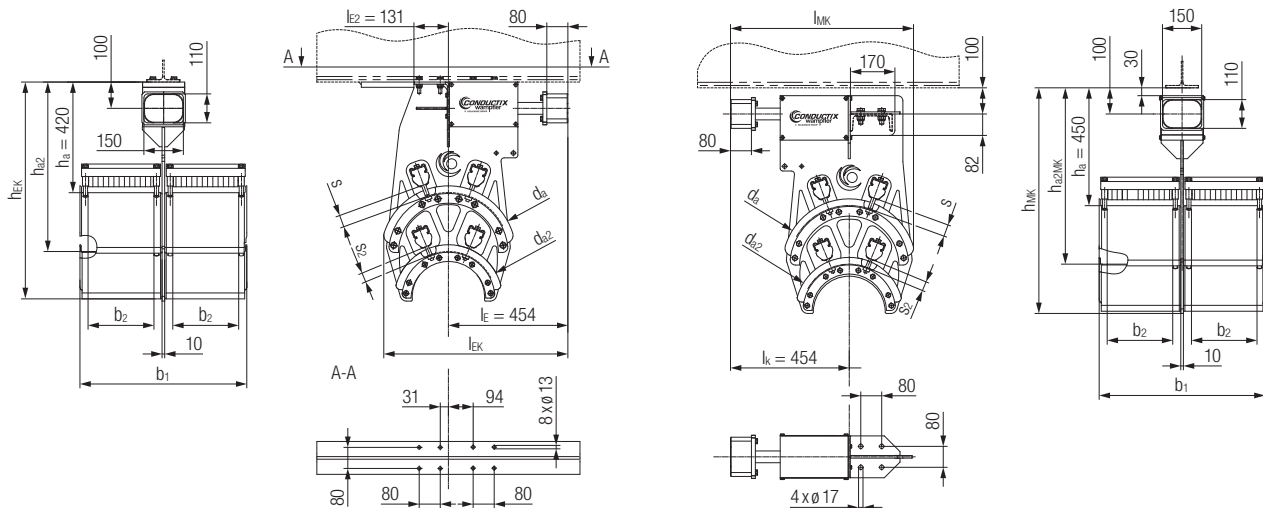
Cable Trolley

Towing Trolley

Cable Trolley Underpart without Running Gear		Towing Trolley without Running Gear		d_a / d_{a2}	l_w	b_1	b_2	s / s_2	k	h_{a2}	h_w	h_{a2MW}	h_{MW}
Order No.	[kg]	Order No.	[kg]	[mm]	[mm]	[mm]	[mm]	[mm]	[mm]	[mm]	[mm]	[mm]	[mm]
037523-8363	38	037533-8363	64	360/260	700	386	125	36/26	440	528	716	613	803
037523-8666	45	037533-8666	71			534	200						
037523-8868	50	037533-8868	76			634	250						
037523-8969	66	037533-8969	92			782	320						
037523-9383	47	037533-9383	73	460/360	700	386	125	46/36	490	578	766	663	853
037523-9686	54	037533-9686	80			534	200						
037523-9888	60	037533-9888	86			634	250						
037523-9989	81	037533-9989	107			782	320						

Cable Trolleys for Round Cables Program 0375

Selection of End Clamps and Towing Clamps



End Clamp

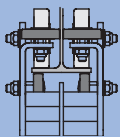
Drilling template for End Clamp

Drilling template for Towing Clamp

Towing Clamp

End Clamp Complete		Towing Clamp Complete		d_a / d_{a2} [mm]	l_{EK} / l_{MK} [mm]	b_1 [mm]	b_2 [mm]	s / s_2 [mm]	h_{a2} [mm]	h_{a2MK} [mm]	h_{EK} [mm]	h_{MK} [mm]
Order No.	[kg]	Order No.	[kg]									
037513-8363	56	037543-8363	56	360/260	665	386	125	36/26	599	624	783	813
037513-8666	63	037543-8666	63			534	200					
037513-8868	68	037543-8868	68			634	250					
037513-8969	84	037543-8969	84			782	320					
037513-9383	65	037543-9383	65	460/360	700	386	125	46/36	644	674	833	863
037513-9686	72	037543-9686	72			534	200					
037513-9888	78	037543-9888	78			634	250					
037513-9989	99	037543-9989	99			782	320					

Selection of Running Gears

Running Gear		Order No.	Main Roller ϕd [mm]	Material Bandage	Weight approx. [kg]	Parallel- Flange	Preference Range I-Beams		
							I-Beam Code	Tapered- Flange	I-Beam Code
 <p>Type HMG with cylindrical main rollers, hor- izontal guide rol- lers at the beam center web and anti-lift rollers</p>	855	125	Polyurethan	40	IPB200 G3192 200x200x8x12 W8x40	0220	-	-	
	955	160	Polyurethan	44					

Notes/design

- Main roller $\phi 125$ mm: anti-lift roller $\phi 63$ mm made of stainless steel, horizontal guide roller $\phi 80$ mm with Polyurethan bandage
- Main roller $\phi 160$ mm: anti-lift roller $\phi 80$ mm made of stainless steel, horizontal guide roller $\phi 112$ mm with Polyurethan bandage
- The rollers are equipped with precision ball bearings and additional sealing disks (2RS1), the ball bearings are lifetime lubricated and therefore maintenance free
- Running gear for other I-beam types or beam sizes on request



CONTAINER TERMINAL ALTENWERDER

CONTAINER TERMINAL ALTENWERDER

CONTAINER TERMINAL ALTENWERDER

CONTAINER TERMINAL ALTENWERDER

CTA

CTA

Motorized Cable Trolleys Program 0380

Motorized Cable Trolley with 1.95 KW / 3 KW Drive



Technical details

Cable supports	bolted to the center plate, lateral-loading and reinforced Ø 460 mm
Clamping bar	V-clamping (divided)
Drive ¹⁾	1.95 KW / 3 KW
Travel speed max.	300 m/min
Load capacity max. ¹⁾	350 kg
Cable trolley underpart and running gear	hot-dip galvanized steel
Fasteners	stainless steel
Temperature range	-25°C to +50°C

¹⁾ depending on trolley size

Ordering Example

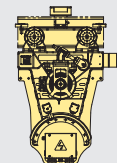
Order No.

038020-96 - 1WL - 66

A motorized cable trolley with the following dimensions shall be used:

- Support diameter: 460 mm
- Clamping width: $b_2 = 200$ mm;

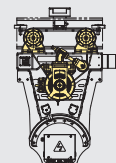
Order No. 038020- 96 (chosen from catalog page 14)



The following additional configuration has been chosen:

- Motorized cable trolley's position in the system: 1
- With limit-Switch (sea side)
- With limit-Switch (land side)

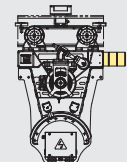
Order No. 1 WL (chosen from catalog page 15)



The following buffer has been chosen:

- Cellular buffer Ø100x150 one side

Order No. 66 (chosen from catalog page 15)

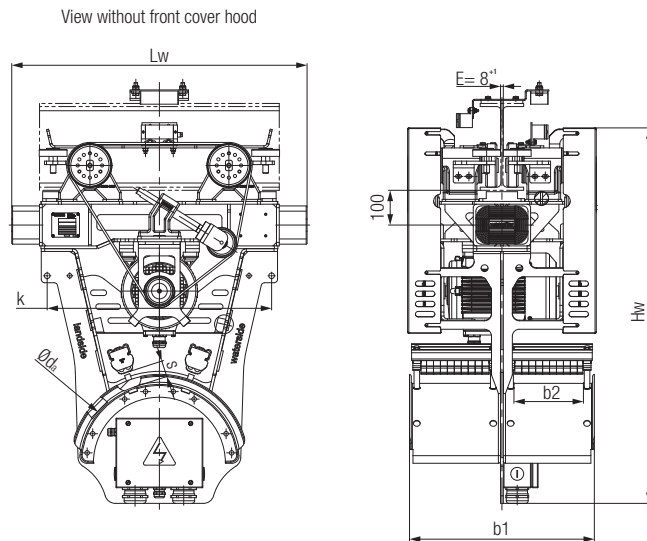


The order no. of the appropriate trolley is:

036623-96-859-0124

Motorized Cable Trolleys Program 0380

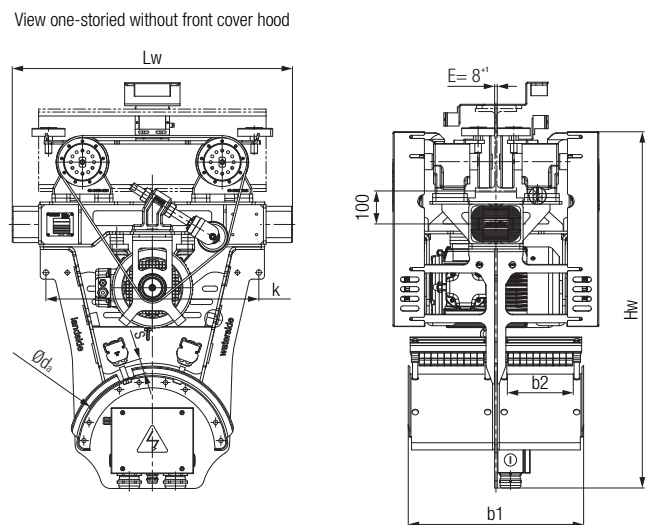
Selection of Motorized Cable Trolley 1.95 kW



Motorized Cable Trolley Order No.	P [kW]	d _a [mm]	l _w [mm]	b ₁ [mm]	b ₂ [mm]
038020-93	1.95	460	850	384	125
038020-96				532	200
038020-98				632	250

s [mm]	k [mm]	H _w [mm]	Weight [kg]
46	646	1081	195
			200
			205

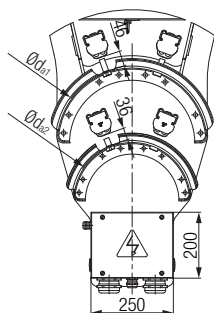
Selection of Motorized Cable Trolley 3 kW



Motorized Cable Trolley Order No.	P [kW]	d _a [mm]	l _w [mm]	b ₁ [mm]	b ₂ [mm]
038030-93	3	460	850	384	125
038030-96				532	200
038030-98				632	250

s [mm]	k [mm]	H _w [mm]	Weight [kg]
46	646	1081	247
			250
			255

Version Cable trolley two storeyed



Motorized Cable Trolleys Program 0380

Selection of Additional Configurations

Configuration	Position of trolley within the system	Limit Switch	
		land side	sea side
1 L ¹⁾	1	yes	no
2 L ¹⁾	2	yes	no
3 L ¹⁾	3	yes	no
1 WL	1	yes	yes
2 WL	2	yes	yes
3 WL	3	yes	yes

¹⁾ for cable trolley 038030 only

Selection of Buffer Configuration

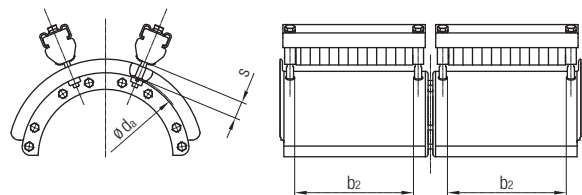


-66
Round buffer, on water/sea side.
Ø100x150 (in connection with trolleys 0366)



-75
Rectangular buffer, on both sides.
Ø150x110x80 (in connection with trolleys 0375)

Additional Cable Saddles ¹⁾



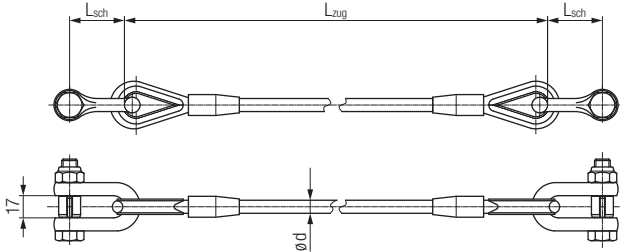
Additional Cable Saddle		d _a	d _{a2}	b ₁	b ₂	s ₂
Order No.	[kg]	[mm]	[mm]	[mm]	[mm]	[mm]
86	12	460	360	384	125	36
86	16	460	360	532	200	36
88	18	460	360	632	250	36

¹⁾ for motorized cable trolleys 038030 only



Accessories for Festoon Systems Program 0366, 0375 and 0380

Towing Ropes

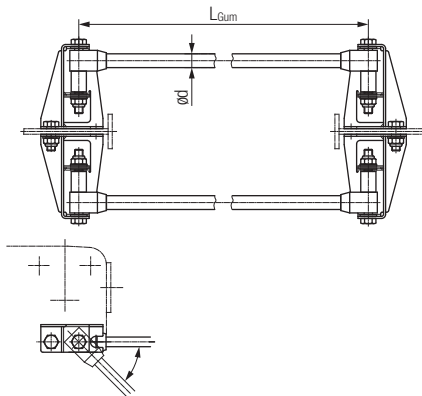


Order No.	ø d [mm]	L _{sch} [mm]	Material			Program
			Rope	Shackle	Fasteners	
031963	8/10	42	Galvanized steel PVC-coated	Galvanized steel	Stainless steel Seawater resistant aluminum	0366 0375 0380
031964	10/12	42				
031965/2	8/10	48	Stainless steel PVC-coated	Stainless steel	Stainless steel Seawater resistant aluminum	

Notes

- We recommend the installation of towing ropes for a speed from 50 m/min or a travel distance > 30 m
- The towing ropes are PVC-coated for a better protection against corrosion and to prevent the cables from damage
- For the calculation of the lengths please refer to our Engineering Guideline KAT0300-0101
- In case of order please state the lengths L_{zug} of the respective towing ropes

Damping Devices



Technical details

- Shock cord: rubber with plastic plait
- Console: hot-dipped galvanized steel
- Fasteners: stainless steel

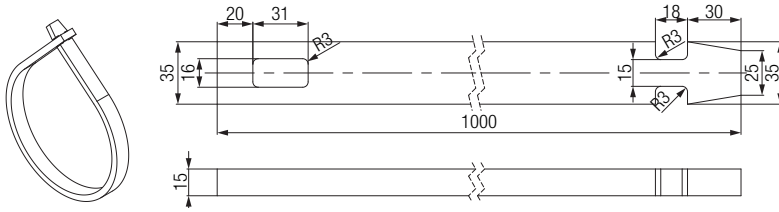
Order No.	Number of Shock Cords	ø d [mm]	Program
031976-2	2	20	0366 0375 0380
031977-2	4	20	
031978-2	6	20	
031971	2	28	
031979	4	28	

Notes

- We recommend the installation of damping devices for high speed and/or short cable loops
- For the calculation of the length please refer to our Engineering Guideline KAT0300-0101
- In case of order please state the length of the respective shock cords L_{Gum}
- Number and diameter are defined by weight load, cable loop and speed

Accessories for Festoon Systems Program 0366, 0375 and 0380

Cable Organizers for Cable Loops

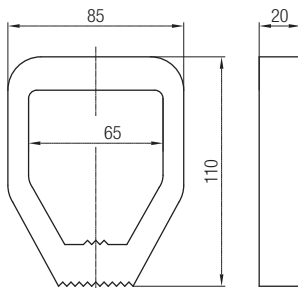


Order No.	ø d [mm]	b [mm]	s [mm]	Material	Weight [kg]
031942-0300x15	300	35	15	Rubber	0.90
031942-0500x15	500	35	15		2.10
031942-0700x15	700	35	15		2.35

Note

For cable loops > 4 m, the cable organizer in addition to the round cable clamps prevents an expansion of the cables at the lower section of the cable loop.

Additional Clamping Piece for Round Cable Clamps



Order No. 031899-065x020/514

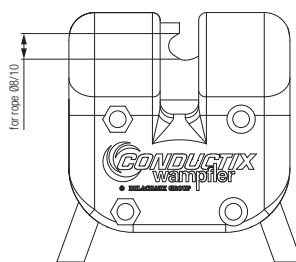
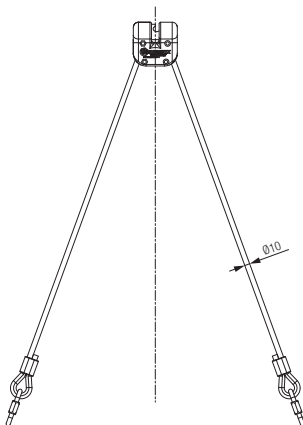
Technical details

- Material: rubber
- Weight: 0.08 kg
- For Program: 0366 / 0375 / 0380

Note

Differences in diameter between adjacent cables of more than 15 mm require additional clamping pieces for a tight clamping.

Anti-Wind Damping Device



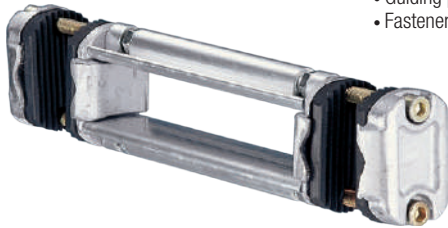
Order No. 03-D025-0096

Technical details

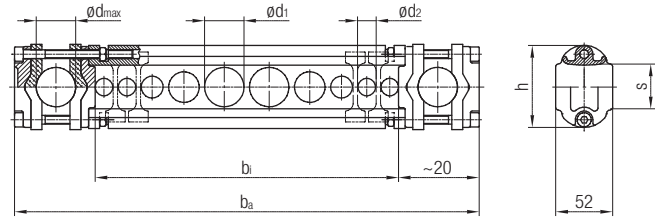
- Material:
 - Housing: glass fibre reinforced plastic
 - Rope: rubber
- Weight: 0.4 kg
- For Program: 0366 / 0375 / 0380

Accessories for Festoon Systems Program 0366, 0375 and 0380

Round Cable Clamps



- Technical details**
- Clamping: aluminum/rubber
 - Guiding profile: aluminum
 - Fasteners: stainless steel

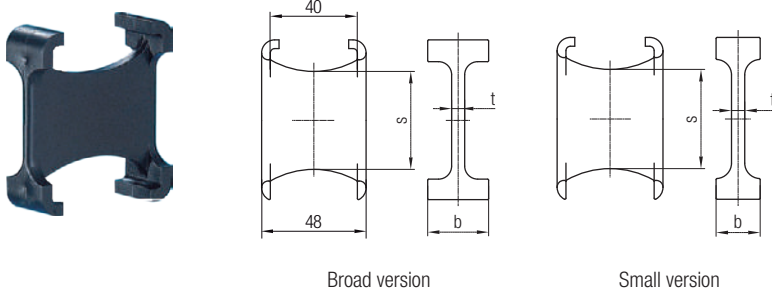


Order No.	$\varnothing d_{max}$ [mm]	b_1 [mm]	b_a [mm]	h [mm]	s [mm]	$\Sigma d^{1)}$ [mm]	Weight [kg]
031941-026x100/400	26	100	236	64	30	34	0.95
031941-026x150/400		150	286				1.07
031941-026x200/400		200	336				1.09
031941-026x250/400		250	386				1.31
031941-026x300/400		300	436				1.45
031941-026x350/400		350	486				1.57
031941-026x400/400		400	536				1.71
031941-026x450/400		450	586				1.83
031941-026x500/400		500	636				1.95
031941-026x550/400		550	686				2.07
031941-026x600/400		600	736				2.19
031941-026x650/400		650	786				2.33
031941-026x700/400		700	836				2.45
031941-036x100/400	36	100	256	74	40	46	1.04
031941-036x150/400		150	306				1.16
031941-036x200/400		200	356				1.28
031941-036x250/400		250	406				1.40
031941-036x300/400		300	456				1.54
031941-036x350/400		350	506				1.66
031941-036x400/400		400	556				1.80
031941-036x450/400		450	606				1.92
031941-036x500/400		500	656				2.04
031941-036x550/400		550	706				2.16
031941-036x600/400		600	756				2.28
031941-036x650/400		650	806				2.42
031941-036x700/400		700	856				2.54
031941-046x100/400	46	100	276	84	50	56	2.37
031941-046x150/400		150	326				2.49
031941-046x200/400		200	376				2.61
031941-046x250/400		250	426				2.73
031941-046x300/400		300	476				2.87
031941-046x350/400		350	526				2.99
031941-046x400/400		400	576				3.13
031941-046x450/400		450	626				3.25
031941-046x500/400		500	676				3.37
031941-046x550/400		550	726				3.50
031941-046x600/400		600	776				3.63
031941-046x650/400		650	826				3.75
031941-046x700/400		700	876				3.87

1) If the total of two adjacent cables ($d_1 + d_2$) is smaller than the value Σd of the table, spacers are required to separate the cables.
See top of page 17.

Accessories for Festoon Systems Program 0366, 0375 and 0380

Spacers



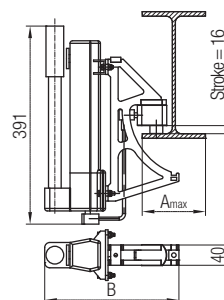
Order No.	s [mm]	t [mm]	b [mm]	Appropriate Cable Clamp	Material	Version	Weight [kg]
031946-26	25	4	18	031941-026x...	Plastic	Small	0.010
031946-36	35	5	19	031941-036x...			0.015
031946-46	45	6	20	031941-046x...			0.025
031947-26	25	4	26	031941-026x...	Plastic	Broad	0.015
031947-36	35	5	27	031941-036x...			0.020
031947-46	45	6	28	031941-046x...			0.025

Notes

- The above drawings are examples for illustration only
- Small version for cables with outer diameter smaller 14 mm and larger 22 mm
- Broad version for cables with outer diameter larger 14 mm and smaller 22 mm

Lifting Device

Order No.	Program	A _{max} [mm]	B [mm]	Weight [kg]	I-Beam
039030-1	0366	150	265	5	IPE 240 G3192 250x125x6x9 W8x18
039030-2	0375	220	311	6	IPB 200 G3192 200x200x8x12 W8x40



Note

The lifting device can be used for lifting of the cable trolley during replacement of main rollers or side shields.

Control Cabinet

Program 0366, 0375 and 0380

Festoon Control Cabinet

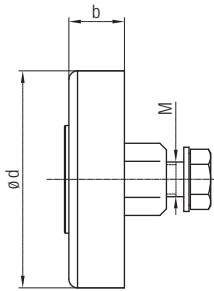


Type No.	05-S230-xxx
Main power	415 V 50 Hz
Control power	230 V 50 Hz
Inverter size	10 kW - 3x9A Sinamics
Interface	PROFIBUS®
Software module	integrated in separate PLC
Possible options	relais interface/UL/software in crane PLC/etc.
PLC brand	Siemens/ABB/TMEIC/Yaskawa
Control cabinet brand	Rittal
Rittal type	TS8806.500
Control cabinet color	7035
Cabinet dimension	H 2000 mm x W 800 mm x D 600 mm
Lamp and socket in cabinet	Rittal or similar
Control cabinet material	painted steel
Wire color criterion	DIN VDE / IEC
Terminal type	spring terminal and screw terminal

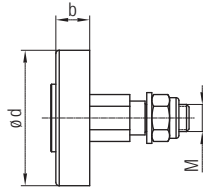
Wear Parts for Cable Trolleys

Program 0366, 0375 and 0380

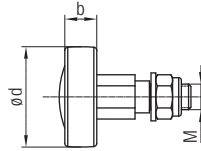
Replacement Rollers for Running Gear Types HMG and HMP



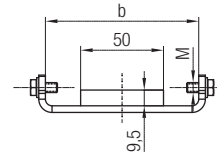
Main roller cylindrical



Horizontal guide roller



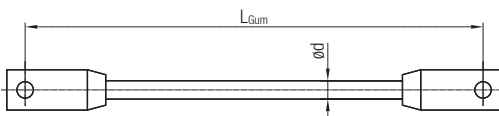
Anti-lift roller



Anti-lift plate
for cable trolley

Order No.	Description	$\varnothing d$ [mm]	b [mm]	Thread M	Material Bandage	Weight [kg]
030130-112.1	Main roller cylindrical	112	27.5	M20	Polyurethan	0.8
030130-125.1		125	32.0	M20	Polyurethan	1.3
030130-160.1		160	50.0	M24	Polyurethan	2.7
030132-063.1	Horizontal guide roller	63	16.5	M12	Polyurethan	0.3
030132-080.1		80	20.0	M16	Polyurethan	0.5
030132-112.1		112	27.5	M20	Polyurethan	0.8
030124-063.1	Anti-lift roller	63	20.0	M16	Stainless steel	0.6
030124-080.1		80	24.0			0.8
030125-0001	Anti-lift plate for towing trolley / -clamp, end clamp, and towing trolley for catenary trolley	-	120.0	M8	Plastic	0.2
030125-0002	Anti-lift plate middle (for towing trolley, for catenary trolley)		194.0			
030125-0003	Anti-lift plate for cable trolley (motorized and non-motorized)		194.0	M12	0.6	
030125-0004	Anti-lift plate for towing trolley / -clamp 0366		194.0	M8	Plastic	0.2

Shock Cords



Technical details

- Shock cord: rubber with plastic plait
- Fasteners: stainless steel/hot-dipped galvanized steel

Order No.	$\varnothing d$ [mm]	Weight [kg/m]
031989-2	20	0.4
031996	28	0.6

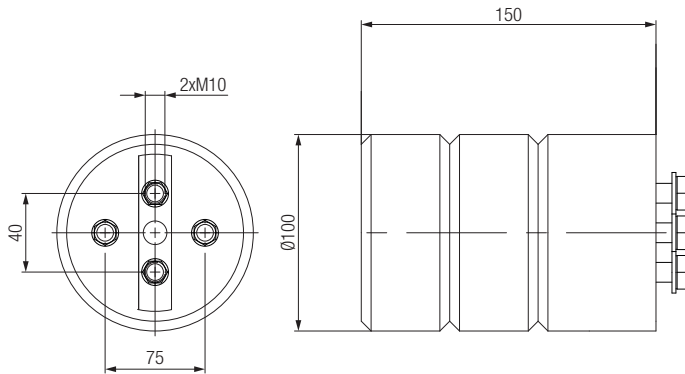
Note

In case of order please state the lengths L_{Gum} of the respective shock cords.

Wear Parts for Cable Trolleys

Program 0366, 0375 and 0380

Cellular Buffer 100x150

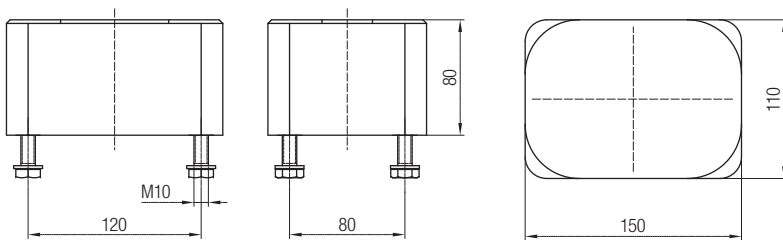


Order No. 031997-100x150

Technical details

- Material: polyurethan
- Weight: 0.8 kg
- For program 0366
- For cable trolleys

Cellular Buffer 150x110x080

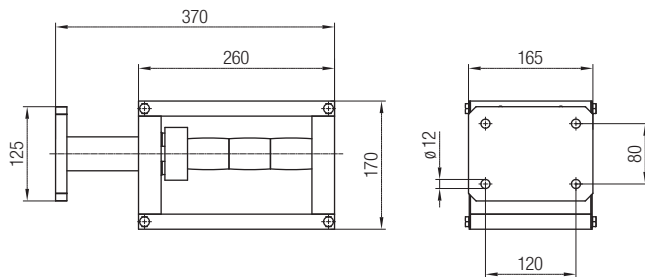


Order No. 031997-150x110

Technical details

- Material: Polyurethan
- Weight: 0.9 kg
- For program 0375

Buffer Unit

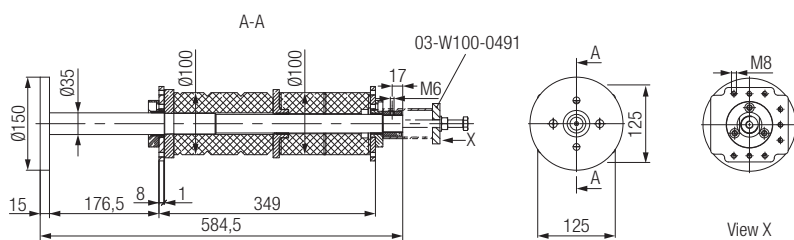


Order No. 039028

Technical details

- Material:
 - Housing aluminum seawater resistant
 - Rubber buffer
- Weight: 15 kg
- For program: 0366 (round buffers) and 0375 (rectangular buffers)
- Only for towing trolley and towing trolley for catenary trolley 0366

Buffer Unit



Order No. 03-K032-0045

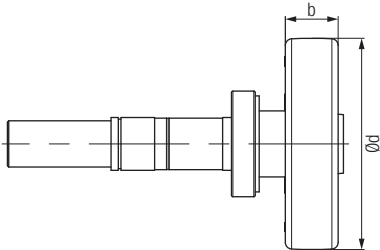
Technical details

- Material:
 - cellular buffers
 - stainless steel (piston rods)
- Weight: 18.5 kg
- For program: 0366
- Only for towing clamps and end clamps

Wear Parts for Motorized Cable Trolleys

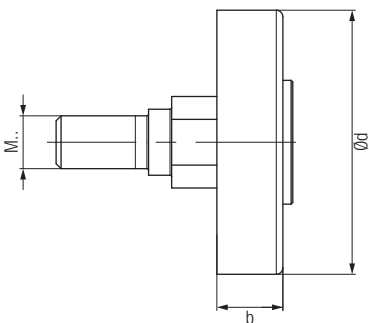
Program 0380

Driving Rollers for Motorized Cable Trolleys



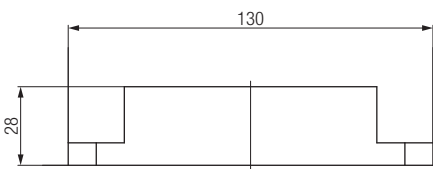
Order No.	Description	ød [mm]	b [mm]	Material Bandage	Weight [kg]
03-E210-0018	Driving rollers spare part 125x32PU	125	32	Polyurethan	2.4
03-E210-0020	Driving rollers spare part 160x40PU	160	40	Polyurethan	3.7

Horizontal Guide Rollers



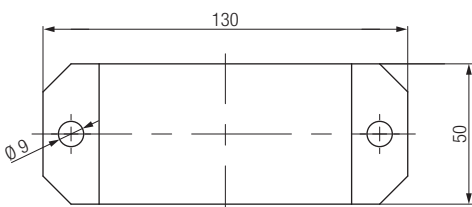
Order No.	Description	ød [mm]	b [mm]	Thread M	Material Bandage	Weight [kg]
030132-080.1	Horizontal guide roller ø80	80	20	16	Polyurethan	0.6
03-R007-3311	Horizontal guide roller ø100	100	24	20	Polyurethan	0.7

Anti-lift Plate



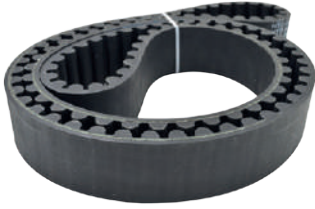
Order No. 03-G090-0063 (1.95 kW)
03-G090-0067 (3.0 kW)

Material
• Plastic (green)



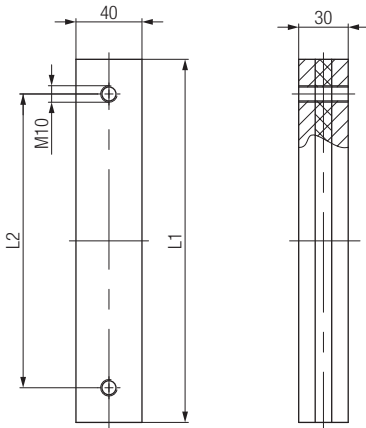
Wear Parts for Motorized Cable Trolleys Program 0380

Toothed Belts



Order No.	Description	For trolley type	Length [mm]	Width [mm]	Material	Weight [kg]
03-0070420	Toothed Belt HTD 1600-8M-30 Neoprene	038020	1600	30	Neoprene	0.3
03-3171734	Toothed Belt HTD 1584-8M-30 Neoprene	038020	1584	30	Neoprene	0.3
03-3173356	Toothed Belt HTD 1696-8M-30 Neoprene	038020	1696	30	Neoprene	0.3
03-75668	Toothed Belt HTD 1696-8M-50 Neoprene	038030	1696	50	Neoprene	0.5

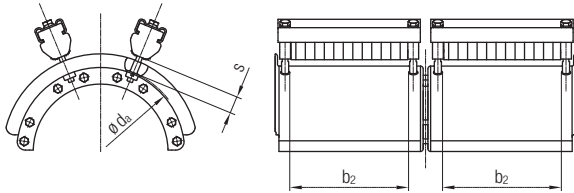
Silent Block



Order No.	Description	For trolley type	Length L1 [mm]	Width [mm]	Hole spacing L2 [mm]	Weight [kg]
03-P013-0053	Rubber-metal bar	038020	180	40	140	1.25
03-P013-0089	Rubber-metal bar	038030	220	40	178	1.53

Spare Parts for Cable Trolleys Program 0366, 0375 and 0380

Cable Supports Complete



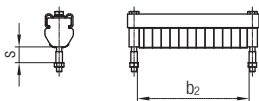
Cable supports for round cables

Complete cable supports

- consist of:
- 2 cable supports
 - 4 clamping bars
 - Fasteners

Order No.	Weight [kg]	d _a [mm]	b ₂ [mm]	s [mm]	Program	Type of Cable
039004-260X125	10.0	260	125	26	0365 0375	Round
039004-260X200	12.0		200			
039004-260X250	16.0		250			
039004-260X320	18.0		320		0375	
039004-360X125	12.0	360	125	36	0365 0375	
039004-360X200	16.0		200			
039004-360X250	18.0		250			
039004-360X320	22.0		320		0375	
039004-460X125	14.0	460	125	46	0365 0375	
039004-460X200	18.0		200			
039004-460X250	22.0		250			
039004-460X320	26.0		320		0375	

Clamping Bars Complete



Clamping bars for round cables

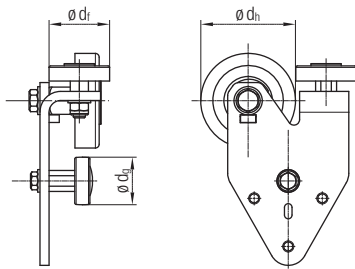
Complete clamping bars

- consist of:
- C-Rail
 - Clamping rubber
 - Fasteners

Order No.	Weight [kg]	s [mm]	b ₂ [mm]	Program	Type of Cable
039010-260X125	1.5	26	125	0365 0375	Round
039010-260X200	1.7		200		
039010-260X250	2.0		250		
039010-260X320	2.5		320	0375	
039010-360X125	1.5	36	125	0365 0375	
039010-360X200	1.7		200		
039010-360X250	2.0		250		
039010-360X320	2.5		320	0375	
039010-460X125	1.5	46	125	0365 0375	
039010-460X200	1.7		200		
039010-460X250	2.0		250		
039010-460X320	2.5		320	0375	

Spare Parts for Cable Trolleys Program 0366

Side Shields Complete



Running gear type HMG

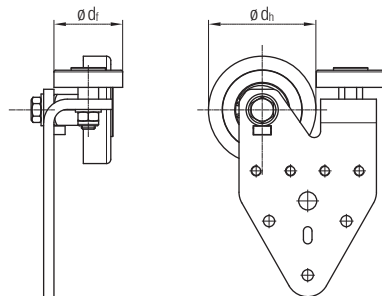
Complete side shields

consist of:

- Side shield
- Rollers mounted

Program 0366 for running gear type HMG

Order No.	Weight [kg]	$\varnothing d_h$ [mm]	$\varnothing d_f$ [mm]	Material Bandage	$\varnothing d_g$ [mm]	Material Anti-Lift Roller	Flange	I-Beam
039220-112-0124	4.0	112	63	Polyurethan	63	Stainless steel	Parallel	IPE 240 G 3192 250x125x6x9 W 8x18
039220-125-0124	4.5	125	80	Polyurethan				
039220-112-0022	4.0	112	63	Polyurethan	63	Stainless steel	Tapered flange	INP 220 G 3192 200x100x7x10x8° S 8x18.4
039220-125-0022	4.5	125	80	Polyurethan				



Running gear type HMP

Complete side shields

consist of:

- Side shield
- Rollers mounted
- Running gear type HMP without anti-lift plate

Program 0366 for running gear type HMP¹⁾

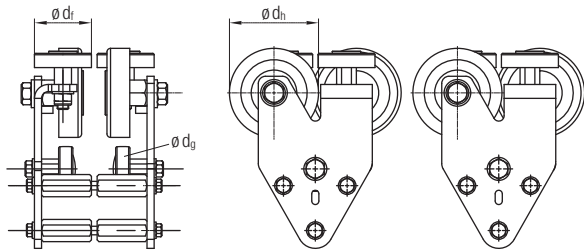
Order No.	Weight [kg]	$\varnothing d_h$ [mm]	$\varnothing d_f$ [mm]	Material Bandage	Flange	I-Beam
03922-112-0124	4.0	112	63	Polyurethan	Parallel	IPE 240 G 3192 250x125x6x9 W 8x18
03922-125-0124	4.5	125	80	Polyurethan		
039222-112-0022	4.0	112	63	Polyurethan	Tapered flange	INP 220 G 3192 200x100x7x10x8° S 8x18.4
039222-125-0022	4.5	125	80	Polyurethan		

¹⁾ without anti-lift plate

Spare Parts for Cable Trolleys

Program 0366

Running Gear Complete



Complete running gears

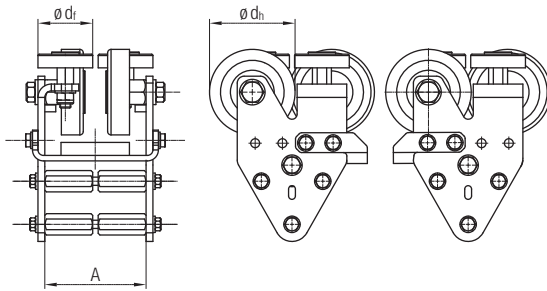
consist of:

- 4 side shields complete
- Distance bolts
- Fasteners

Running gear type HMG

Program 0366 for running gear type HMG

Order No.	Weight [kg]	$\varnothing d_h$ [mm]	$\varnothing d_f$ [mm]	Material Bandage	$\varnothing d_g$ [mm]	Material Anti-Lift Roller	Flange	I-Beam
037654-0124	20	112	63	Polyurethan	63	Stainless steel	Parallel	IPE240 G3192 250x125x6x9 W8x18
038654-0124	22	125	80	Polyurethan				
037654-0022	20	112	63	Polyurethan	63	Stainless steel	Tapered flange	INP 220 G3192 200x100x7x10x8° S8x18.4
038654-0022	22	125	80	Polyurethan				



Complete running gears

consist of:

- 4 side shields complete
- Distance bolts
- Fasteners
- Running gear type HMP, anti-lift plate included

Running gear type HMP

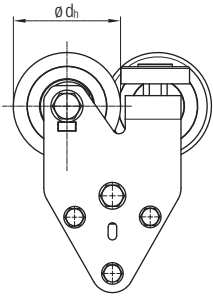
Program 0366 for running gear type HMP

Order No.	Weight [kg]	$\varnothing d_h$ [mm]	$\varnothing d_f$ [mm]	Material Bandage	A [mm]	Material Anti-Lift Plate	Flange	I-Beam
037658-0124	20	112	63	Polyurethan	168	Plastic	Parallel	IPE240 G3192 250x125x6x9 W8x18
038658-0124	22	125	80	Polyurethan				
037658-0022	20	112	63	Polyurethan	168	Plastic	Tapered flange	INP 220 G3192 200x100x7x10x8° S8x18.4
038658-0022	22	125	80	Polyurethan				

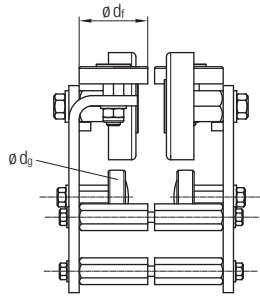
Spare Parts for Cable Trolleys

Program 0366

Running Gear Complete

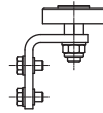


Running gear type HMG

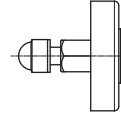


Complete running gears for towing trolley and towing trolley for catenary trolley consist of:

- 2 side shields complete
- Distance bolts
- 2 fasteners incl. roller
- 2 rollers complete



Fastener incl. roller



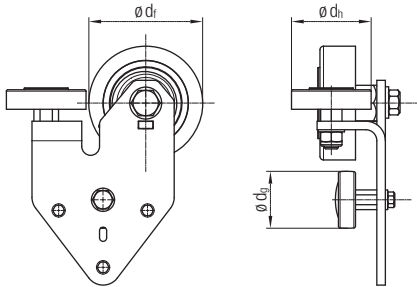
Roller complete

Program 0366 running gear type HMG for towing trolley and towing trolley for catenary trolley

Order No.	Weight [kg]	$\varnothing d_h$ [mm]	$\varnothing d_r$ [mm]	Material Bandage	$\varnothing d_g$ [mm]	Material Anti-Lift Roller	Flange	I-Beam
037654-2-0124	20	112	63	Polyurethan	63	Stainless steel	Parallel	IPE240 G3192 250x125x6x9 W8x18
038654-2-0124	22	125	80	Polyurethan				
037654-2-0022	20	112	63	Polyurethan	63	Stainless steel	Tapered flange	INP220 G3192 200x100x7x10x8° S8x18.4
038654-2-0022	22	125	80	Polyurethan				

Spare Parts for Cable Trolleys Program 0375

Side Shields Complete



Complete side shields

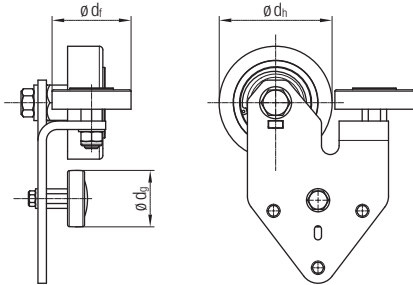
consist of:

- Side shield
- Rollers mounted

Running gear type HMG (Side shield left)

Program 0375 for running gear type HMG side shield left

Order No.	Weight [kg]	$\varnothing d_h$ [mm]	$\varnothing d_r$ [mm]	Material Bandage	$\varnothing d_g$ [mm]	Material Anti-Lift Roller	Flange	I-Beam
039224-125-L-0220	7.0	125	80	Polyurethan	63	Stainless steel	Parallel	IPB200 G3192 200x200x8x12 W8x40
039224-160-L-0220	7.8	160	112	Polyurethan	80			



Complete side shields

consist of:

- Side shield
- Rollers mounted

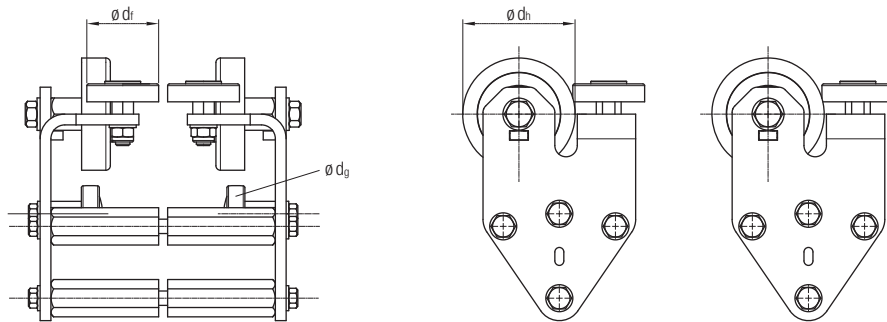
Running gear type HMG (Side shield right)

Program 0375 for running gear type HMG side shield right

Order No.	Weight [kg]	$\varnothing d_h$ [mm]	$\varnothing d_r$ [mm]	Material Bandage	$\varnothing d_g$ [mm]	Material Anti-Lift Roller	Flange	I-Beam
039224-125-R-0220	7.0	125	80	Polyurethan	63	Stainless steel	Parallel	IPB200 G3192 200x200x8x12 W8x40
039224-160-R-0220	7.8	160	112	Polyurethan	80			

Spare Parts for Cable Trolleys Program 0375

Running Gear Complete



Running gear type HMG

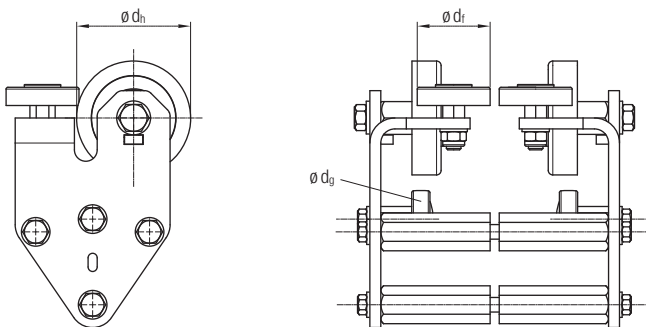
Complete running gears

consist of:

- 4 side shields complete
- Distance bolts
- Fasteners

Program 0375 for running gear type HMG

Order No.	Weight [kg]	$\varnothing d_h$ [mm]	$\varnothing d_f$ [mm]	Material Bandage	A [mm]	Material Anti-Lift Roller	Flange	I-Beam
038954-0220	40	125	80	Polyurethan	63	Stainless steel	Parallel	IPB200 G3192 200x200x8x12 W8x40
039954-0220	44	160	112	Polyurethan	80			

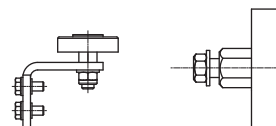


Running gear type HMG

Complete running gears for towing trolley and towing trolley for catenary trolley

consist of:

- 2 side shields
- 2 fasteners incl. roller
- 2 rollers complete



Fastener incl. roller

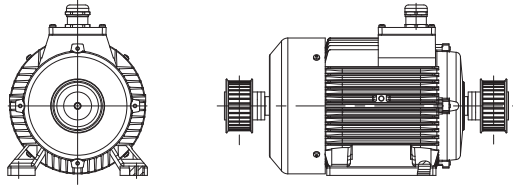
Roller complete

Program 0375 for running gear type HMG for towing trolley and towing trolley for catenary trolley

Order No.	Weight [kg]	$\varnothing d_h$ [mm]	$\varnothing d_f$ [mm]	Material Bandage	$\varnothing d_g$ [mm]	Material Anti-Lift Roller	Flange	I-Beam
038954-2-0220	40	125	80	Polyurethan	63	Stainless steel	Parallel	IPB200 G3192 200x200x8x12 W8x40
039954-2-0220	44	160	112	Polyurethan	80			

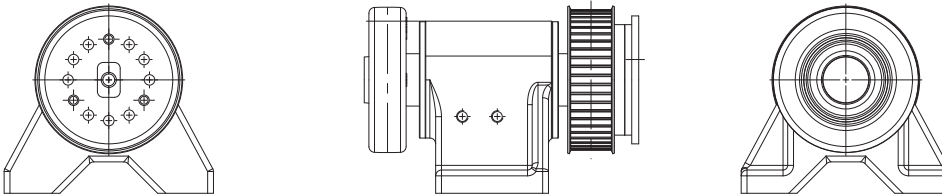
Spare Parts for Motorized Cable Trolleys Program 0380

Motor Assemblies



Order No.	Description	Power [kW]	Voltage [V]	No. of teeth, toothed disc [z]	Weight [kg]
03-M040-0032	Motor assembly VA 112M8 1.95 kW 400 V Z32	1.95	400	32	28.5
03-M040-0037	Motor assembly VA 112M8 1.95 kW 400 V Z24	1.95	400	24	28.5
03-M040-0031	Motor assembly VA 132M/8B-11 3.0 kW Z30	3.0	400	30	28.8

Bearing Housings



Order No.	Description	Ø Roller [mm]	No. of teeth, toothed disc [z]	Weight [kg]
03-L017-0053	Bearing Housing ø125PU with toothed disc Z48	125	48	11
03-L017-0063	Bearing Housing ø125PU with toothed disc Z64	125	64	12
03-L017-0061	Bearing Housing ø160PU with toothed disc Z56	160	56	14.8

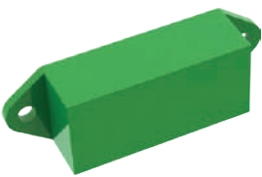
Spare Parts for Motorized Cable Trolleys Program 0380

Toothed Discs



Order No.	Description	No. of teeth, toothed disc [z]	Belt width [mm]	ø Bore b [mm]	Used for	Weight [kg]
03-Z006-0052/510	HTD toothed belt disc 8M-30 Z48 ø28H7	48	30	28	Shaft	3.6
03-Z006-0059	HTD toothed belt disc 8M-30 Z64 ø28H7	64	30	28	Shaft	4.3
03-Z006-0026	HTD toothed belt disc 8M-30 Z32 ø28H7	32	30	28	Motor	1.2
03-Z006-0057	HTD toothed belt disc 8M-50 Z56 ø35H7	56	50	35	Shaft	5.2
03-Z006-0023	HTD toothed belt disc 8M-50 Z30 ø38H7	30	50	38	Motor	2.0

Magnetic End Switch

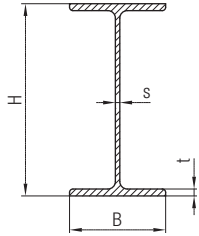


Order No.	Description	Color
03-WK008K214.1	Magnetic End Switch 03-WK008K214.1	–
03-S211-0034	Magnet North for Magnetic End Switch	green
03-S211-0033	Magnet South for Magnetic End Switch	red

Technical Appendix

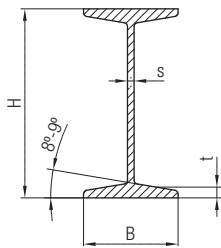
Specification of Preference Range I-Beams

Dimensions of the Standard I-Beams for Program 0366 and 0380 Parallel Flange



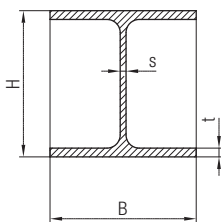
Country	Description	H [mm]	B [mm]	s [mm]	t [mm]	I-Beam Code
Europe	IPE 240	240 ± 4	120 ⁺⁴ ₋₂	6.9 ± 0.7	9.8 ± 1	0124
Japan	G 3192 250x125x6x9	250 ± 2	125 ± 2.5	6.0 ± 0.7	9.0 ± 1	0124
USA	W8x18	206 ⁺³ ₋₃	133 ⁺⁶ ₋₆	5.8 ± 0.7	8.4 ± 0.7	0124

Dimensions of the Standard I-Beams for Program 0366 Tapered Flange



Country	Description	H [mm]	B [mm]	s [mm]	t [mm]	I-Beam Code
Europe	INP 220	220 ± 3	98 ± 2	8.1 ± 0.7	12.2 ⁺² ₋₁	0022
Japan	G 3192 200x100x7x10x8°	200 ± 2	102 ± 2	7.0 ± 1	10.0 ± 1	0022
China	GB 706-65/20a	200 ± 2	102 ± 2	7.0 ± 1	11.4 ± 1	0022
USA	S8x18.4	203 ⁺³ ₋₂	102 ± 3	6.8 ± 1	10.8 ± 0.7	0022

Dimensions of the Standard I-Beams for Program 0375 Parallel Flange



Country	Description	H [mm]	B [mm]	s [mm]	t [mm]	I-Beam Code
Europe	IPB 200	200 ⁺⁴ ₋₂	200 ⁺⁴ ₋₂	9.0 ± 1	15.0 ⁺⁴ ₋₂	0220
Japan	G 3192 200x200x8x12	200 ± 2	200 ± 2	8.0 ± 0.7	12.0 ± 1	0220
USA	W8x40	209 ⁺⁴ ₋₃	205 ⁺⁶ ₋₆	9.1 ± 1	14.0 ⁺² ₋₁	0220

Your Applications – our Solutions

Festoon Systems from Conductix-Wampfler represent only one of the many solutions made possible by the broad spectrum of Conductix-Wampfler components for the transport of energy, data and fluid media. The solutions we deliver for your applications are based on your specific requirements. In many cases, a combination of several different Conductix-Wampfler systems can prove advantageous. You can count on all of Conductix-Wampfler's Business Units for hands-on engineering support – coupled with the perfect solution to meet your energy management and control needs.



Festoon systems
 It's hard to imagine Conductix-Wampfler cable trolleys not being used in virtually every industrial application. They're reliable and robust and available in an enormous variety of dimensions and designs.



Conductor rails
 Whether they're enclosed conductor rails or expandable single-pole systems, the proven conductor rails by Conductix-Wampfler reliably move people and material.



Non-insulated conductor rails
 Extremely robust, non-insulated conductor rails with copper heads or stainless steel surfaces provide the ideal basis for rough applications, for example in steel mills or shipyards.



Slip ring assemblies
 Whenever things are really "moving in circles", the proven slip ring assemblies by Conductix-Wampfler ensure the flawless transfer of energy and data. Here, everything revolves around flexibility and reliability!



Motorized Cable & Hose Reels
 Motorized reels by Conductix-Wampfler hold their own wherever energy, data, media and fluids have to cover the most diverse distances within a short amount of time – in all directions, fast and safe.



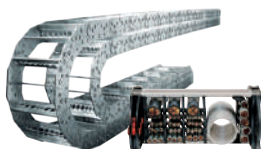
Spring Cable & Hose Reels
 With their robust and efficient design Spring Cable and Hose Reels from Conductix-Wampfler are unbeatably reliable in supplying energy, signals, data and fluids to a vast range of tools, cranes and vehicles.



Inductive Power Transfer IPT®
 The no-contact system for transferring energy and data. For all tasks that depend on high speeds and absolute resistance to wear.



Retractors and Balancers
 Our wide range of high reliable retractors and balancers remove the load from your shoulders and allow you to reach top productivity.



Energy guiding chains
 The "Jack of all trades" when it comes to transferring energy, data, air and fluid hoses. With their wide range, these energy guiding chains are the ideal solution for many industrial applications.



Jib booms
 Complete with tool transporters, reels, or an entire media supply system – here, safety and flexibility are key to the completion of difficult tasks.



Conveyor systems
 Whether manual, semiautomatic or with Power & Free – flexibility is achieved with full customization concerning layout and location.

www.conductix.com

Conductix-Wampfler

has just one critical mission:
To provide you with energy and
data transmission systems that
will keep your operations up
and running 24/7/365.

To contact your nearest
sales office, please refer to:

**[www.conductix.com/
contact-search](http://www.conductix.com/contact-search)**



DELACHAUX GROUP