

Retractors and Balancer

Program 0402



CONDUCTIX
wampfler

DELACHAUX GROUP

Contents

Retractors

Retractors without Blocking Device	4
Retractors with Blocking Device	7

Balancers

Balancer with Optimum Balance of Weight	9
---	---

Accessories for Balancer

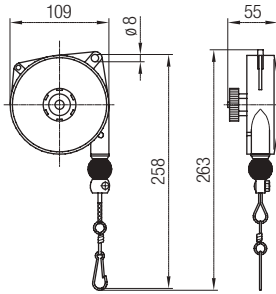
Spring safety hook	12
Safety Chain	12
Release Chain	12

Application Directives Information

Balancer	13
Warning	13
Information	13

Retractors without Blocking Device

Retractor (040871) Load Capacity 0.4 to 3 kg

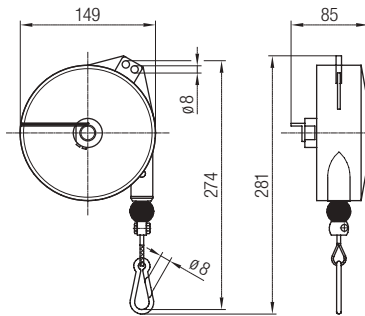


Technical details

- Case: die cast aluminum
- Rope: stainless steel wire, \varnothing 2 mm
- Frictionless rope guide
- Adjustable lifting stop
- Additional safety suspension
- Polyamides rope thimble

Order No.	Load Capacity [kg]	Cable Travel [m]	Weight [kg]
040871-01x1.6	0.4 - 1	1.6	0.6
040871-02x1.6	1 - 2		0.6
040871-03x1.6	2 - 3		0.7

Retractor (040871) Load Capacity 2 to 8 kg

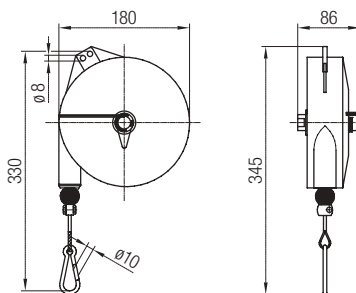


Technical details

- Case: die cast aluminum
- Rope: stainless steel wire, \varnothing 2 mm
- Frictionless rope guide
- Adjustable lifting stop
- Additional safety suspension
- Fail safe spring mechanism
- Polyamides rope thimble

Order No.	Load Capacity [kg]	Cable Travel [m]	Weight [kg]
040871-04x2.0	2 - 4	2.0	2.0
040871-06x2.0	4 - 6		2.3
040871-08x2.0	6 - 8		2.5

Retractor (040871) Load Capacity 2 to 14 kg



Technical details

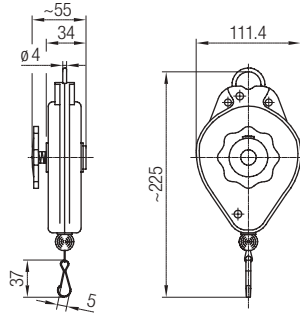
- Case: die cast aluminum
- Rope: stainless steel wire, \varnothing 2.5 mm
- Frictionless rope guide
- Adjustable lifting stop
- Additional safety suspension
- Fail safe spring mechanism
- Polyamides rope thimble

Order No.	Load Capacity [kg]	Cable Travel [m]	Weight [kg]
040871-04x2.5	2 - 4	2.5	2.9
040871-06x2.5	4 - 6		3.2
040871-08x2.5	6 - 8		3.5
040871-10x2.5	8 - 10		3.7
040871-12x2.5	10 - 14		4.0



Retractors without Blocking Device

Retractor (040804) Load Capacity 0.5 to 2 kg

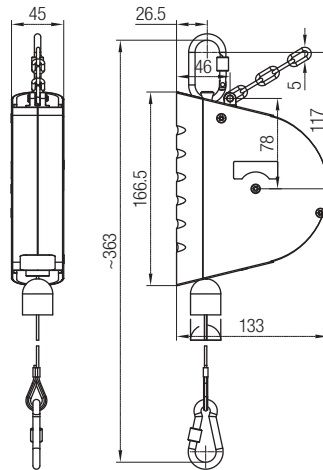


Technical details

- Case: wear resistant plastic
- Rope: \varnothing 2 mm, plastic
- Easy load setting
- Spring in riveted design

Order No.	Load Capacity [kg]	Cable Travel [m]	Weight [kg]
040804-1.2x2.0	0.5 - 1.2	2.0	0.5
040804-2.0x2.0	1.0 - 2.0		

Retractor (040814) Load Capacity 0.5 to 3 kg

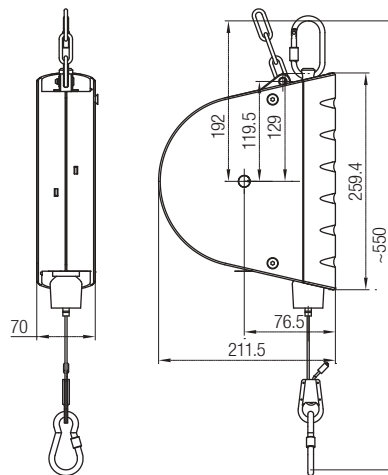


Technical details

- Case: impact- and abrasion resistant plastic
- Cable drum: abrasion resistant plastic
- Cable: high-strength galvanised steel cable, \varnothing 2 mm, with elastic cable stop buffer and spring hook for load suspension
- Suspension: rotating safety hook
- Spring: High-strength special suspension spring in riveted design, easy load setting

Order No.	Load Capacity [kg]	Cable Travel [m]	Weight [kg]
040814-02x2.5	0.5 - 2	2.5	0.8
040814-03x2.5	1.5 - 3		

Retractor (040824) Load Capacity 2 to 14 kg



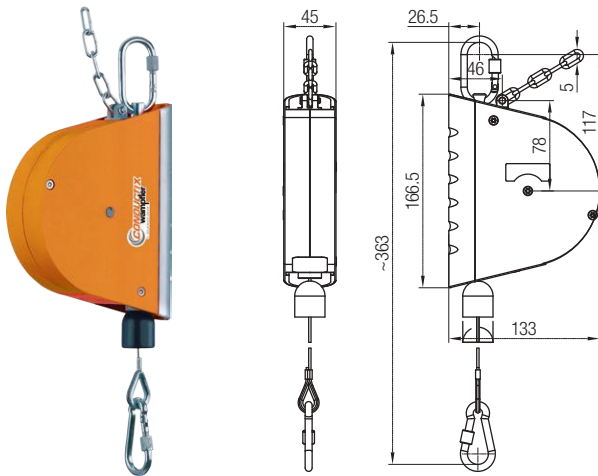
Technical details

- Case: impact- and abrasion resistant plastic
- Cable drum: abrasion resistant plastic
- Cable: high-strength galvanised steel cable, \varnothing 2 mm, with elastic cable stop buffer and screw-type spring hook for load suspension
- Suspension: rotating safety hook
- Spring: High-strength, banded special suspension spring load continuously adjustable

Order No.	Load Capacity [kg]	Cable Travel [m]	Weight [kg]
040824-05x3.0	2 - 5	3.0	3.3
040824-08x3.0	4 - 8		3.7
040824-10x3.0	7 - 10		3.7
040824-14x3.0	10 - 14		3.9

Retractors with Blocking Device

Retractor (040813) Load Capacity 0.5 to 3 kg

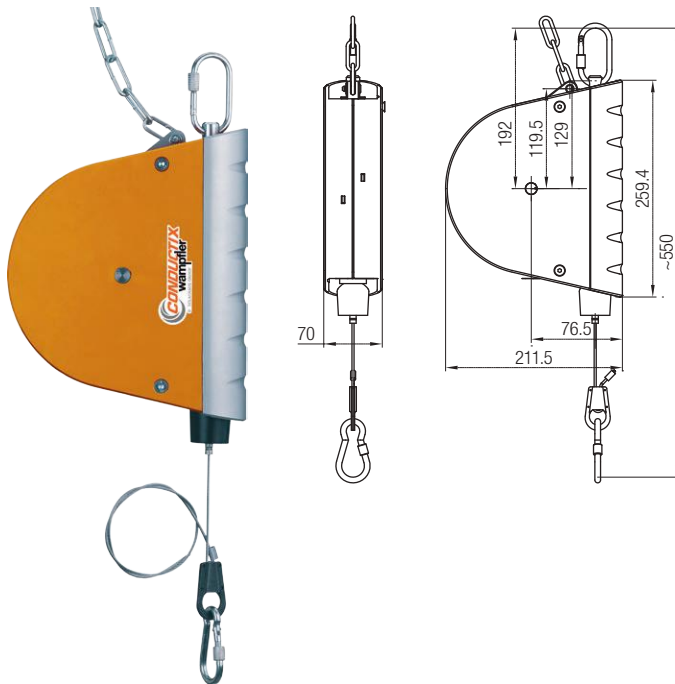


Technical details

- Case: impact- and abrasion resistant plastic
- Cable drum: abrasion resistant plastic
- Cable: high-strength galvanised steel cable, \varnothing 2 mm, with elastic cable stop buffer and spring hook for load suspension
- Suspension: rotating safety hook
- Spring: High-strength special suspension spring in riveted design, easy load setting

Order No.	Load Capacity [kg]	Cable Travel [m]	Weight [kg]
040813-02x2.5	0.5 - 2	2.5	0.9
040813-03x2.5	1.5 - 3		

Retractor (040823) Load Capacity 2 to 14 kg



Technical details

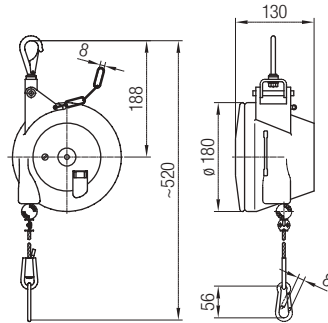
- Case: impact- and abrasion resistant plastic
- Cable drum: abrasion resistant plastic
- Cable: high-strength galvanised steel cable, \varnothing 2 mm, with elastic cable stop buffer and screw-type spring hook for load suspension
- Suspension: rotating safety hook
- Spring: High-strength, banded special suspension, spring load continuously adjustable

Order No.	Load Capacity [kg]	Cable Travel [m]	Weight [kg]
040823-05x3.0	2 - 5	3.0	3.5
040823-08x3.0	4 - 8		3.8
040823-10x3.0	7 - 10		3.8
040823-14x3.0	10 - 14		4.0



Balancers with Optimum Balance of Weight

Balancer without Blocking Device (040831) Load Capacity 3 to 17 kg



Technical details

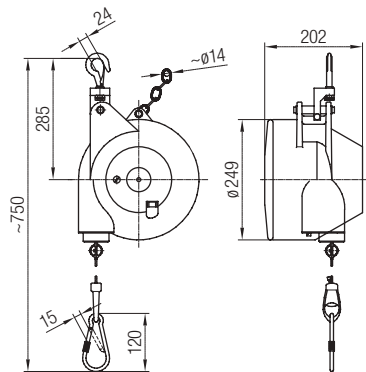
- Case: abrasion resistant and high-strength plastic
- Suspension: rotating and swiveling safety hook
- Riveted special bearing spring
- Steel rope: $\varnothing 5$ mm, galvanised, with elastic rope retracting limitation and screw snap hook to attach the load
- Load setting: stepless via positioning screw
- Rope turnbuckle for stepless rope length setting
- With safety chain and spring breakage safety device

Note

On balancers adjusted load is balanced in the adjusted working height!

Order No.	Load Capacity [kg]	Cable Travel [m]	Weight [kg]
040831-005x2.0	3.0 - 5.0	2.0	2.9
040831-007x2.0	4.5 - 7.0		3.1
040831-010x2.0	6.0 - 10.0		3.2
040831-014x2.0	9.0 - 14.0		3.4
040831-017x2.0	13.0 - 17.0		3.6

Balancer without Blocking Device (040831) Load Capacity 12 to 90 kg



Technical details

- Case: high-strength aluminum sand casting
- Suspension: rotating and swiveling high security hook
- Fully locked special bearing spring with spring breakage safety device
- Steel rope: $\varnothing 5$ mm, galvanised, with elastic rope retracting limitation and screw snap hook to attach the load
- Load setting: stepless via positioning screw
- With safety expansion chain

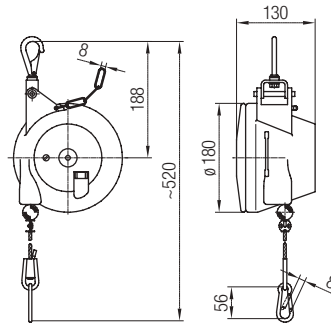
Note

On balancers adjusted load is balanced in the adjusted working height!

Order No.	Load Capacity [kg]	Cable Travel [m]	Weight [kg]
040831-020x2.0	12 - 20	2.0	14.8
040831-030x2.0	20 - 30		15.2
040831-045x2.0	30 - 45		16.9
040831-060x2.0	45 - 60		17.3
040831-075x2.0	60 - 75		18.7
040831-090x2.0	75 - 90		19.7

Balancers with Optimum Balance of Weight

Balancer with Blocking Device (040832) Load Capacity 4.5 to 17 kg



Technical details

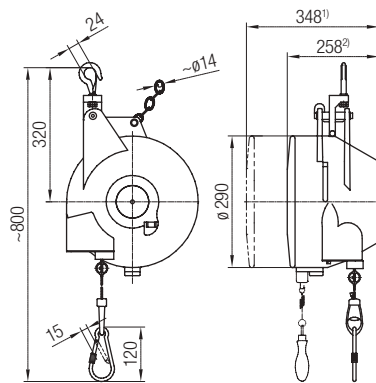
- Case: abrasion resistant and high-strength plastic
- Rope reel: wear resistant plastic
- Integrated locking device for blocking the rope reel
- Suspension: rotating and swiveling safety hook
- Riveted special bearing spring
- Steel rope: $\varnothing 5$ mm, galvanised, with elastic rope retracting limitation and screw snap hook to attach the load
- Load setting: stepless via positioning screw
- Rope turnbuckle for stepless rope length setting
- With safety chain and spring breakage safety device

Note

On balancers adjusted load is balanced in the adjusted working height!

Order No.	Load Capacity [kg]	Cable Travel [m]	Weight [kg]
040832-07x2.0	4.5 - 7.0	2.0	3.3
040832-10x2.0	6.0 - 10.0		3.4
040832-14x2.0	9.0 - 14.0		3.6
040832-17x2.0	13.0 - 17.0		3.8

Balancer with Blocking Device (040831) Load Capacity 15 to 150 kg



Technical details

- Case: high-strength aluminum sand casting
- Integrated locking device for blocking the rope reel
- Suspension: rotating and swiveling high security hook
- Fully locked special bearing spring with spring breakage safety device
- Steel rope: $\varnothing 5$ mm, galvanised, with elastic rope retracting limitation and screw snap hook to attach the load
- Load setting: stepless via positioning screw
- With safety expansion chain

Note

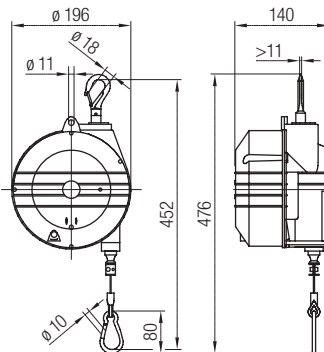
On balancers adjusted load is balanced in the adjusted working height!

- 1) at Weight >100 kg
2) at Weight <100 kg

Order No.	Load Capacity [kg]	Cable Travel [m]	Weight [kg]
040831-025x3.0	15 - 25	3.0	25
040831-035x3.0	25 - 35		26
040831-050x3.0	35 - 50		27
040831-065x3.0	50 - 65		28
040831-080x3.0	65 - 80		29
040831-090x3.0	80 - 90		30
040831-100x3.0	90 - 100		32
040831-115x3.0	100 - 115		42
040831-130x3.0	115 - 130		44
040831-140x3.0	130 - 140		46
040831-150x3.0	140 - 150		48

Balancers with Optimum Balance of Weight

Balancer without Blocking Device (040874) Load Capacity 10 to 25 kg



Technical details

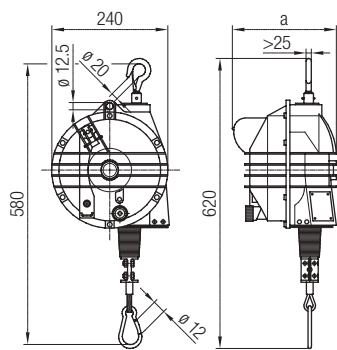
- Sturdy aluminum case
- Rope: stainless steel wire, \varnothing 2.5 mm
- Rope guide: low friction
- Conical reel body with ball bearing
- Fine adjustment in the lifting area with continuous load adjustment
- Suspension: Rotating safety hook
- Blocking device (to fix or release the load at the requested height)
- Auxiliary safety suspension
- Fail safe spring mechanism
- Polyamides rope thimble

Note

On balancers adjusted load is balanced in the adjusted working height!

Order No.	Load Capacity [kg]	Cable Travel [m]	Weight [kg]
040874-014x2.0	10 - 14	2.0	5.5
040874-018x2.0	14 - 18		6.0
040874-022x2.0	18 - 22		6.5
040874-025x2.0	22 - 25		6.5

Balancer without Blocking Device (040873) Load Capacity 10 to 105 kg



Technical details

- Sturdy aluminum case
- Rope: stainless steel wire, \varnothing 4 mm
- Rope guide: low friction
- Conical reel body with ball bearing
- Fine adjustment in the lifting area with continuous load adjustment
- Suspension: Rotating safety hook
- Blocking device (to fix or release the load at the requested height)
- Auxiliary safety suspension
- Fail safe spring mechanism
- Polyamides rope thimble
- Option: Release chain (see page 27)

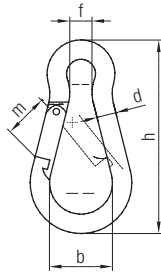
Note

On balancers adjusted load is balanced in the adjusted working height!

Order No.	Load Capacity [kg]	Cable Travel [m]	a [m]	Weight [kg]
040873-015x2.0	10 - 15	2.0	215	10.3
040873-020x2.0	15 - 20			10.6
040873-025x2.0	20 - 25			11.2
040873-030x2.0	25 - 30			11.5
040873-035x2.0	30 - 35			11.8
040873-045x2.0	35 - 45			12.4
040873-055x2.0	45 - 55			12.5
040873-065x2.0	55 - 65			13.6
040873-075x2.0	65 - 75	2.0	250	14.5
040873-090x2.0	75 - 90			17.3
040873-105x2.0	90 - 105			18.0

Accessories for Balancer

Spring safety hook



Technical details

- The snap hook is for the fixation of balancers and their load
- Material: galvanised steel

Order No.	d [mm]	h [mm]	f [mm]	b [mm]	m [mm]	Load Capacity [kg]	Weight [kg]
040010-40x4	4	40	4	12	8	100	0.1
040010-53x6	6	60	5	16	8	120	
040010-90x9	9	60	9	25	10	250	

Safety Chain



Order No. 040499

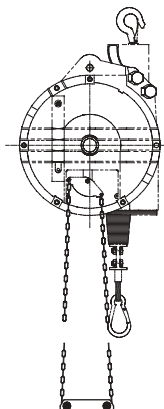
Technical details

- Length: 200 mm
- Load capacity: 100 kg
- Weight: 0.3 kg
- Material: galvanised steel

Note

The safety chain serves as protection against falling down.

Release Chain (040830-5)



Order No. 040830-5

Technical details

- Length: 800 mm
- Weight: 0.2 kg
- Release chain: galvanised steel
- Handle: plastic
- Application for balancer 040873

Note

The release chain is mounted to the blocking device of the balancer. This device serves to lock and release the load at the required height.

Application Directives

Information

Balancer

Required for the selection of a balancer:

- Choose the size of the balancer with regard to the total weight to be suspended (tool plus accessories) and to the requested hoist.
- Try to use the upper zone of the balancer's load capacity data if possible.

Installation of the balancer:

- For safety reasons always use a 2nd load stop device, to prevent the load from falling down.
- The balancer has been arranged for vertical operation. A non-vertical hoist will produce permanent abrasion. We therefore recommend to use cable trolleys running within a track system, to guarantee a vertical pull.
- If several balances are operated very close to each other, suspend them at different heights to prevent collisions.
- Please also consider the operating instructions.

Warning

- It is not allowed to lift and transport people with the products listed in the catalogue.
- Check the prescribed requirements and laws.
- Make sure that the equipment and load carrying devices, on which the hoist units will be suspended, are sufficiently dimensioned and provide the necessary stability for the hoist inclusively hanging charge.
- Read all operating instructions and warnings carefully.
- Do not overload the hoist unit.
- Standing under the pending load is forbidden.
- Attention when adjusting the balancer.

Information

We reserve the right to carry out modifications to the product in the course of technical development at time without prior notice.

All our equipment is in accordance with CE.

Our after sales service includes an expert repair team to refit material if required. If repair is not possible we will offer you a suitable replacement.

Please note our general terms of business. We will send them to you on request.

Reprint, even in parts, is only permitted with our approval.

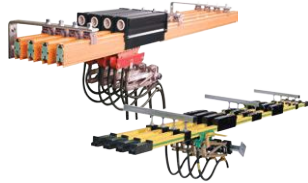
Your Applications - our Solutions

Cable and hose reels and balancers from Conductix-Wampfler represent only one of the many solutions made possible by the broad spectrum of Conductix-Wampfler components for the transport of energy, data and fluid media. The solutions we deliver for your applications are based on your specific requirements. In many cases, a combination of several different Conductix-Wampfler systems can prove advantageous. You can count on all of Conductix-Wampfler's Business Units for hands-on engineering support – coupled with the perfect solution to meet your energy management and control needs.



Festoon systems

It's hard to imagine Conductix-Wampfler cable trolleys not being used in virtually every industrial application. They're reliable and robust and available in an enormous variety of dimensions and designs.



Conductor rails

Whether they're enclosed conductor rails or expandable single-pole systems, the proven conductor rails by Conductix-Wampfler reliably move people and material.



Non-insulated conductor rails

Extremely robust, non-insulated conductor rails with copper heads or stainless steel surfaces provide the ideal basis for rough applications, for example in steel mills or shipyards.



Slip ring assemblies

Whenever things are really "moving in circles", the proven slip ring assemblies by Conductix-Wampfler ensure the flawless transfer of energy and data. Here, everything revolves around flexibility and reliability!



Motorized Cable & Hose Reels

Motorized reels by Conductix-Wampfler hold their own wherever energy, data, media and fluids have to cover the most diverse distances within a short amount of time - in all directions, fast and safe.



Spring Cable & Hose Reels

With their robust and efficient design Spring Cable and Hose Reels from Conductix-Wampfler are unbeatably reliable in supplying energy, signals, data and fluids to a vast range of tools, cranes and vehicles.



Inductive Power Transfer IPT®

The no-contact system for transferring energy and data. For all tasks that depend on high speeds and absolute resistance to wear.



Retractors and Balancers

Our wide range of high reliable retractors and balancers remove the load from your shoulders and allow you to reach top productivity.



Energy guiding chains

The "Jack of all trades" when it comes to transferring energy, data, air and fluid hoses. With their wide range, these energy guiding chains are the ideal solution for many industrial applications.



Jib booms

Complete with tool transporters, reels, or an entire media supply system – here, safety and flexibility are key to the completion of difficult tasks.



Conveyor systems

Whether manual, semiautomatic or with Power & Free – flexibility is achieved with full customization concerning layout and location.

www.conductix.com

Conductix-Wampfler

has just one critical mission:

To provide you with energy and data transmission systems that will keep your operations up and running 24/7/365.

To contact your nearest sales office, please refer to:

**[www.conductix.com/
contact-search](http://www.conductix.com/contact-search)**



Ⓞ DELACHAUX GROUP