

# GHS Series Slip Rings

GHS series is a high-speed slip ring specially developed for high-speed rotating equipment. The speed can up to 12000RPM. The air cooling can ensure the heat generated by the slip ring during high-speed operation does not affect the stability and the working life of the signal.



## Features

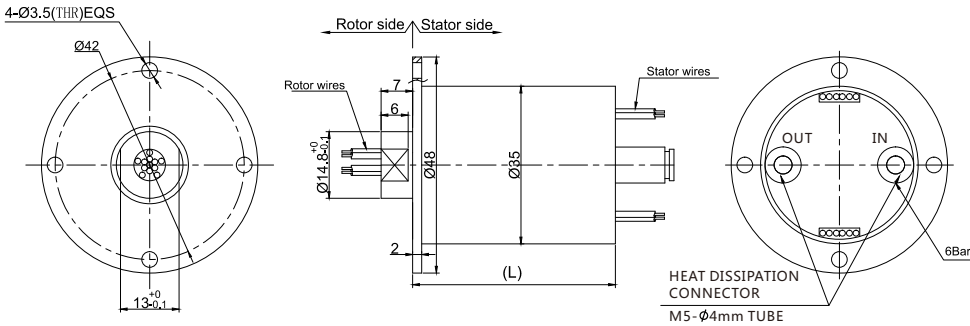
- Support 1~96 power lines or signal lines.
- Precious metal contacts, precision bearings, no lubrication required.
- Ultra low torque, low loss, high stability, long life.

## GHS Series Models

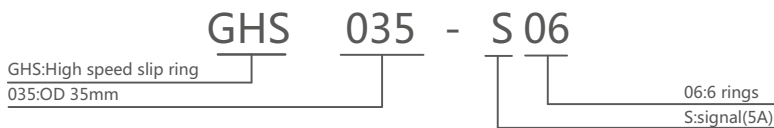
Model#	ID(mm)	OD(mm)	Circuits(Rings)
GHS035	–	35	12000RPM
GHS1256	12.7	56	12000RPM
GHS2586	25.4	86	9000RPM
GHS38109	38.1	109	8000RPM
GHS50119	50	119	8000RPM

# GHS035 Series

GHS035 series is a high speed slip ring with OD 35mm, support 24 circuits, max speed 12000RPM.



## Part# Explanation



## Part# List

GHS035 Series Parts# List		
Part#	Signal/5A	Length-L (mm)
GHS035-S06	6	31.2
GHS035-S12	12	45
GHS035-S18	18	58.8
GHS035-S24	24	72.6

## Specifications

Mechanical Data		Electrical Data		
Parameter	Value	Parameter	Value	
Working Life	300 million revs	Rated Voltage	Power	Signal
Rotating Speed	1~12000RPM	Insulation Resistance	0~240VAC/VDC	0~240VAC/VDC
Working Temperature	-30°C~80°C	Lead Wires	≥500MΩ/500VDC	≥500MΩ/500VDC
Operating Humidity	0~85% RH	Lead LenGHS	AWG22Teflon	AWG22#Teflon
Contact Material	See Prod Quality Level	Insulation StrenGHS	Standard 300mm	
Housing Material	Aluminium Alloy	Electrical Noise	500VAC@50Hz , 60s	
Torque	0.1N.m; +0.03/6ring		<0.03Ω	
Protection Grade	IP51			

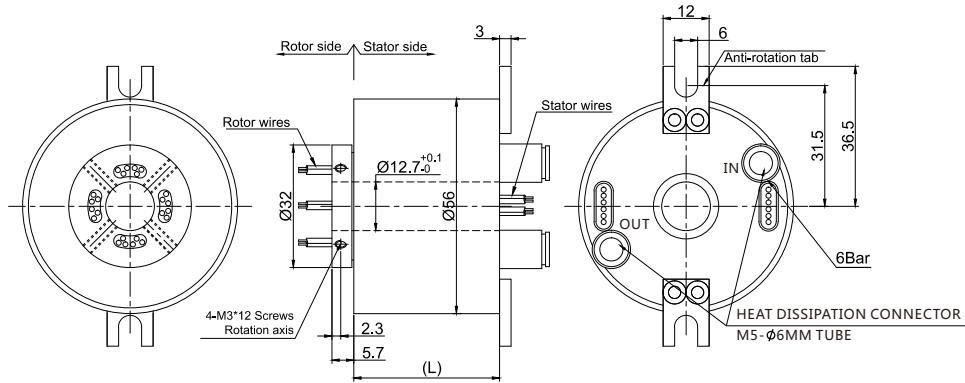
## Lead Wires Color Code

Ring	1	2	3	4	5	6	7	8	9	10	11	12
Color	BLK	RED	YEL	GRN	BLU	WHT	BLK	RED	YEL	GRN	BLU	WHT

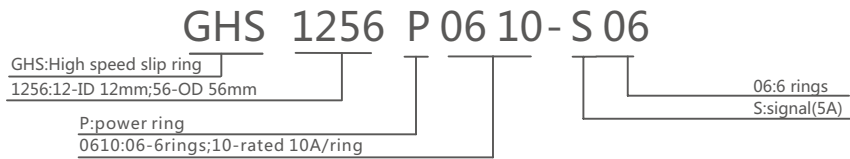
(6 wires for 1 group colors, from 7-12, repeat the same color as 1...6, indicated with number code pipe)

# GHS1256 Series

GHS1256 series is a rotary electrical connector (rotary electrical joint) with bore size 12.7mm, OD 33mm, support 2~12 circuits.  
High speed slip ring with bore size 12.7mm(1/2" ,used for <=12.7mm),OD 33mm.\*Attention : if required through bore <12.7mm , this can be resolved by adding a sleeve inside the bore.



## Part# Explanation



## Part# List

GHS1256 Series Parts# List							
Part#	10A	Signal or 5A	Length-L (mm)	Part#	10A	Signal or 5A	Length-L (mm)
GHS1256-S06	0	6	48.2	GHS1256-P1410-S04	14	4	86.6
GHS1256-P0210-S04	2	4	48.2	GHS1256-P1610-S02	16	2	86.6
GHS1256-P0410-S02	4	2	48.2	GHS1256-P1810	18	0	86.6
GHS1256-P0610	6	0	48.2	GHS1256-S24	0	24	105.8
GHS1256-S12	0	12	67.4	GHS1256-P0410-S20	4	20	105.8
GHS1256-P0210-S10	2	10	67.4	GHS1256-P0610-S18	6	18	105.8
GHS1256-P0410-S09	3	9	67.4	GHS1256-P1210-S12	12	12	105.8
GHS1256-P0610-S06	6	6	67.4	GHS1256-P1810-S06	18	6	105.8
GHS1256-P0810-S04	8	4	67.4	GHS1256-S30	0	30	130
GHS1256-P1010-S02	10	2	67.4	GHS1256-P0210-S28	2	28	130
GHS1256-P1210	12	0	67.4	GHS1256-P0410-S26	4	26	130
GHS1256-S18	0	18	86.6	GHS1256-P0610-S24	6	24	130
GHS1256-P0210-S16	2	16	86.6	GHS1256-S36	0	36	149.2
GHS1256-P0410-S14	4	14	86.6	GHS1256-P0410-S32	4	32	149.2
GHS1256-P0610-S12	6	12	86.6	GHS1256-P0610-S30	6	30	149.2
GHS1256-P0810-S10	8	10	86.6	GHS1256-S42	0	42	168.4
GHS1256-P1010-S08	10	8	86.6	GHS1256-P0410-S38	4	38	168.4
GHS1256-P1210-S06	12	6	86.6	GHS1256-S48	0	48	187.6

Note: N channels 10A rings parallel can be used as 1 channel N\*10A current. For example: 2 rings 10A parallel could be used as 1 wires 20A. 10A,5A (signal) can combine freely in any way. It can be customized based on standard slip ring, please contact customer service for more details.

## Specifications

Mechanical Data		Electrical Data		
Parameter	Value	Parameter	Value	
Working Life	300 million revs		Power	Signal
Rotating Speed	1~12000RPM	Rated Voltage	0~440VAC/VDC	0~440VAC/VDC
Working Temperature	-30°C~80°C	Insulation Resistance	≥1000MΩ/500VDC	≥1000MΩ/500VDC
Operating Humidity	0~85% RH	Lead Wires	AWG17#Teflon	AWG22#Teflon
Contact Material	See Prod Quality Level	Lead LenGSH	Standard 300mm	
Housing Material	Aluminium Alloy	Insulation StrenGSH	500VAC@50Hz , 60s	
Torque	0.1N.m;+0.03/6ring	Electrical Noise	<0.03Ω	
Protection Grade	IP51			

## Lead Wires Color Code

Ring	1	2	3	4	5	6	7	8	9	10	11	12
Color	BLK	RED	YEL	GRN	BLU	WHT	BLK	RED	YEL	GRN	BLU	WHT

(6 wires for 1 group color, from 7-12, repeat the same color as 1...6, indicated with number code pipe)

## Options For Custom Slip Ring

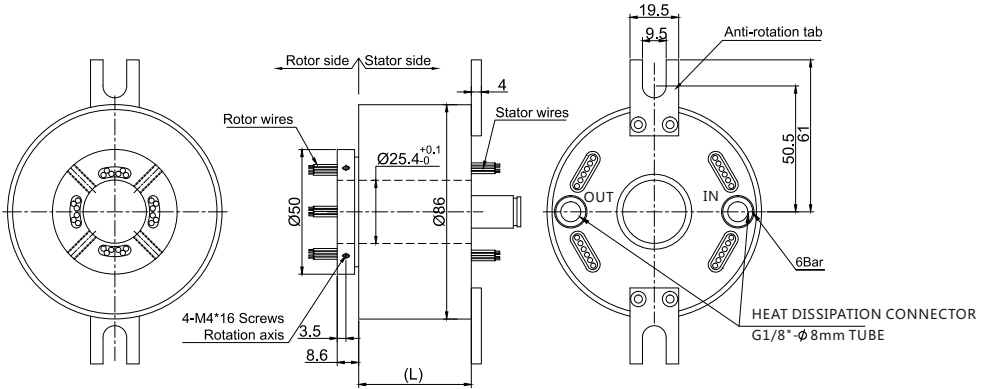
Note: Below special demands can be customized. According, the delivery date will be extended 3 to 15 days; also the cost will be increased 30% to 50%. Most of our basic parts are standard and modular, which can save the cost and lead time.

- ① Cable exit way and cable lenGSH can be customized for both rotor and stator.
- ② Because of the structure limitation, lenGSH/height/OD can be customized on your request.
- ③ Support current or signal up to 200 rings.
- ④ Aviation plug, terminal and heat-shrink tube are optional.
- ⑤ Hybrid slip ring for Yaskawa/Panasonic/Siemens servo control signal, power line and encoder line.
- ⑥ Support mixed high speed data transmission (including Ethernet, USB, RS232, RS485, Profibus, CanBUS, CANOPEN, DeviceNET, CC-LINK, ProfiNET, EtherCAT, etc.)
- ⑦ Can combine temperature control signal with thermocouple signal.
- ⑧ Special environment can be customized, such as quakeproof, high temperature, etc.
- ⑨ Hybrid Pneumatic/hydraulic and electric slip ring can be mixed.
- ⑩ High temperature can up to 500 degrees.
- ⑪ High pressure can up to 110KV
- ⑫ Rotating speed can up to 10000RPM
- ⑬ Maximum current can up to 5000 amperes.
- ⑭ Military grade
- ⑮ Optional for underwater IP65, IP68.
- ⑯ Optional for stainless steel housing

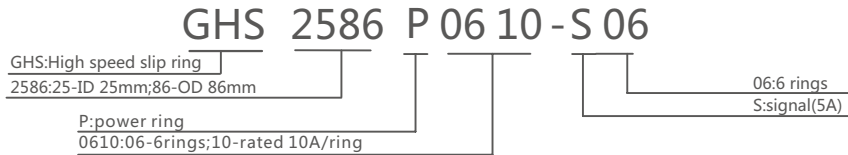
Technical support: [technical@moflon.com](mailto:technical@moflon.com)

# GHS2586 Series

GHS2586 series is a high speed slip ring with bore size 12.7mm, OD 33mm, support 2~12 circuits.



## Part# Explanation



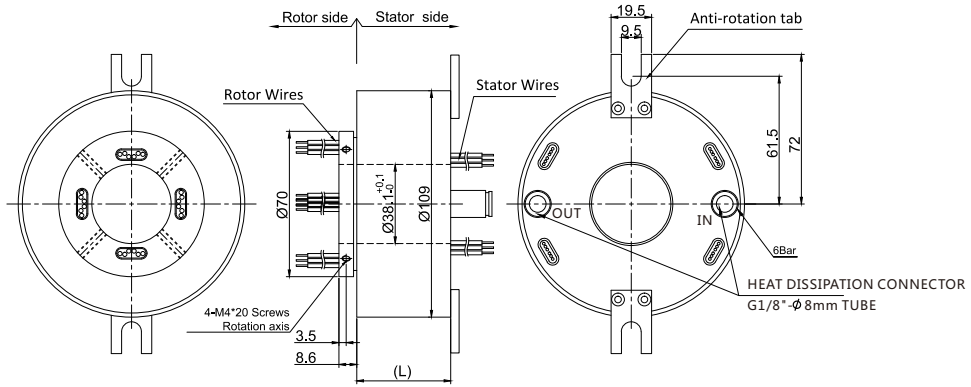
## Part# List

GHS2586 Series Parts# List							
Part#	10A	Signal or 5A	Length-L (mm)	Part#	10A	Signal or 5A	Length-L (mm)
GHS2586-S06	0	06	55.6	GHS2586-S30	0	30	151.8
GHS2586-P0210-S04	02	04	55.6	GHS2586-P0610-S24	06	24	151.8
GHS2586-P0410-S02	04	02	55.6	GHS2586-P1210-S18	12	18	151.8
GHS2586-P0610	06	0	55.6	GHS2586-P1810-S12	18	12	151.8
GHS2586-S12	0	12	78.4	GHS2586-P2410-S06	24	06	151.8
GHS2586-P0210-S10	02	10	78.4	GHS2586-P3010	30	0	151.8
GHS2586-P0410-S08	04	08	78.4	GHS2586-S36	0	36	174.6
GHS2586-P0610-S06	06	06	78.4	GHS2586-P0610-S30	06	30	174.6
GHS2586-P0810-S04	08	04	78.4	GHS2586-P1210-S24	12	24	174.6
GHS2586-P1010-S02	10	02	78.4	GHS2586-S1810-S18	18	18	174.6
GHS2586-P1210	12	0	78.4	GHS2586-P2410-S12	24	12	174.6
GHS2586-S18	0	18	101.2	GHS2586-P3610	36	0	174.6
GHS2586-P0210-S16	02	16	101.2	GHS2586-S48	0	48	220.2
GHS2586-P0410-S14	04	14	101.2	GHS2586-P10610-S42	06	42	220.2
GHS2586-P0610-S12	06	12	101.2	GHS2586-P1210-S36	12	36	220.2
GHS2586-P0810-S10	08	10	101.2	GHS2586-P1810-S30	18	30	220.2
GHS2586-P1010-S08	10	08	101.2	GHS2586-P2410-S24	24	24	220.2
GHS2586-P1210-S06	12	06	101.2	GHS2586-S60	0	60	270.8
GHS2586-P1410-S04	14	04	101.2	GHS2586-P0610-S54	06	54	270.8
GHS2586-P1610-S02	16	02	101.2	GHS2586-P1210-S48	12	48	270.8
GHS2586--S24	0	24	124	GHS2586-P1810-S42	18	42	270.8
GHS2586-P1610-S18	06	18	124	GHS2586-P2410-S36	24	36	270.8
GHS2586-P1210-S12	12	12	124	GHS2586-S72	0	72	316.4
GHS2586-P0810-S06	18	06	124	GHS2586-S84	0	84	365
GHS2586-P2410	24	0	124	GHS2586-S96	0	96	410.6

Note: N channels 10A rings parallel can be used as 1 channel N\*10A current. For example: 2 rings 10A parallel could be used as 1 wires 20A. 10A,5A (signal) can combine freely in any way.It can be customized based on standard slip ring,please contact customer service for more detmails.

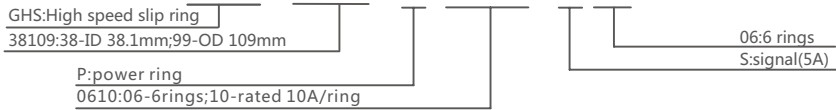
# GHS38109 Series

GHS38109 series is a rotary electrical connector(rotary electrical joint) with bore size 38.1mm, OD 109mm, support 2~72 circuits. High speed slip ring with bore size 38.1mm(1/2" ,used for <=38.1mm),OD 109mm.\*Attention : if required through bore <38.1mm , this can be solved by adding a sleeve inside the bore.



## Part# Explanation

### GHS 38109 P 06 10- S 06



## Part# List

GHS3899 Series Parts# List							
Part#	10A	Signal or 5A	Length-L (mm)	Part#	10A	Signal or 5A	Length-L (mm)
GHS38109-S06	0	06	58.6	GHS38109-P1810-S12	18	12	154.8
GHS38109-P0210-S04	02	04	58.6	GHS38109-P2410-S06	24	06	154.8
GHS38109-P0410-S02	04	02	58.6	GHS38109-P3010	30	0	154.8
GHS38109-P0610	06	0	58.6	GHS38109-S36	0	36	177.6
GHS38109-S12	0	12	81.4	GHS38109-P0610-S30	06	30	177.6
GHS38109-P0210-S10	02	10	81.4	GHS38109-P1210-S24	12	24	177.6
GHS38109-P0410-S08	04	08	81.4	GHS38109-P1810-S18	18	18	177.6
GHS38109-P0610-S06	06	06	81.4	GHS38109-P2410-S12	24	12	177.6
GHS38109-P0810-S04	08	04	81.4	GHS38109-P3610	36	0	177.6
GHS38109-P1010-S02	10	02	81.4	GHS38109-S48	0	48	223.2
GHS38109-P1210	12	0	81.4	GHS38109-P0610-S42	06	42	223.2
GHS38109-S18	0	18	104.2	GHS38109-P1210-S36	12	36	223.2
GHS38109-P0210-S16	02	16	104.2	GHS38109-P1810-S30	18	30	223.2
GHS38109-P0410-S14	04	14	104.2	GHS38109-P2410-S24	24	24	223.2
GHS38109-P0610-S12	06	12	104.2	GHS38109-S60	0	60	273.8
GHS38109-P0810-S10	08	10	104.2	GHS38109-P0610-S54	06	54	273.8
GHS38109-P1010-S08	10	08	104.2	GHS38109-P1210-S48	12	48	273.8
GHS38109-P1210-S06	12	06	104.2	GHS38109-P1810-S42	18	42	273.8
GHS38109-P1410-S04	14	04	104.2	GHS38109-P2410-S36	24	36	273.8
GHS38109-P1610-S02	16	02	104.2	GHS38109-S72	0	72	319.4
GHS38109-S24	0	24	127	GHS38109-P0610-S66	06	66	319.4
GHS38109-P1610-S18	06	18	127	GHS38109-P1210-S60	12	60	319.4
GHS38109-P1210-S12	12	12	127	GHS38109-P2410-S48	24	48	319.4
GHS38109-P0810-S06	18	06	127	GHS38109-P3610-S36	36	36	319.4
GHS38109-P2410	24	0	127	GHS38109-S84	0	84	368
GHS38109-S30	0	30	154.8	GHS38109-P1210-S72	12	72	368

Note: N channels 10A rings parallel can be used as 1 channel N\*10A current. For example: 2 rings 10A parallel could be used as 1 wires 20A. 10A,5A (signal) can combine freely in any way.It can be customized based on standard slip ring,please contact customer service for more detmalls.

## Specifications

Mechanical Data		Electrical Data		
Parameter	Value	Parameter	Value	
Working Life	300 million revs		Power	Signal
Rotating Speed	1~8000RPM	Rated Voltage	0~690VAC/VDC	0~440VAC/VDC
Working Temperature	-30°C~80°C	Insulation Resistance	≥1000MΩ/1000VDC	≥1000MΩ/500VDC
Operating Humidity	0~85% RH	Lead Wires	AWG16#Teflon	AWG22#Teflon
Contact Material	See Prod Quality Level	Lead LenGSH	Standard 300mm	
Housing Material	Aluminium Alloy	Insulation StrenGSH	500VAC@50Hz , 60s	
Torque	0.1N.m;+0.03/6ring	Electrical Noise	<0.03Ω	
Protection Grade	IP51			

## Lead Wires Color Code

Ring	1	2	3	4	5	6	7	8	9	10	11	12
Color	BLK	RED	YEL	GRN	BLU	WHT	BLK	RED	YEL	GRN	BLU	WHT

(6 wires for 1 group color, from 7-12, repeat the same color as 1...6, indicated with number code pipe)

## Options For Custom Slip Ring

Note: Below special demands can be customized. According, the delivery date will be extended 3 to 15 days; also the cost will be increased 30% to 50%. Most of our basic parts are standard and modular, which can save the cost and lead time.

- ① Cable exit way and cable lenGSH can be customized for both rotor and stator.
- ② Because of the structure limitation, lenGSH/height/OD can be customized on your request.
- ③ Support current or signal up to 200 rings.
- ④ Aviation plug, terminal and heat-shrink tube are optional.
- ⑤ Hybrid slip ring for Yaskawa/Panasonic/Siemens servo control signal, power line and encoder line.
- ⑥ Support mixed high speed data transmission (including Ethernet, USB, RS232, RS485, Profibus, CanBUS, CANOPEN, DeviceNET, CC-LINK, ProfiNET, EtherCAT, etc.)
- ⑦ Can combine temperature control signal with thermocouple signal.
- ⑧ Special environment can be customized, such as quakeproof, high temperature, etc.
- ⑨ Hybrid Pneumatic/hydraulic and electric slip ring can be mixed.
- ⑩ High temperature can up to 500 degrees.
- ⑪ High pressure can up to 110KV
- ⑫ Rotating speed can up to 10000RPM
- ⑬ Maximum current can up to 5000 amperes.
- ⑭ Military grade
- ⑮ Optional for underwater IP65, IP68.
- ⑯ Optional for stainless steel housing

Technical support: [technical@moflon.com](mailto:technical@moflon.com)

## Specifications

Mechanical Data		Electrical Data		
Parameter	Value	Parameter	Value	
Working Life	300 million revs		Power	Signal
Rotating Speed	1~9000RPM	Rated Voltage	0~440VAC/VDC	0~440VAC/VDC
Working Temperature	-30°C~80°C	Insulation Resistance	≥1000MΩ/500VDC	≥1000MΩ/500VDC
Operating Humidity	0~85% RH	Lead Wires	AWG16#Teflon	AWG22#Teflon
Contact Material	See Prod Quality Level	Lead LenGSH	Standard 300mm	
Housing Material	Aluminium Alloy	Insulation StrenGSH	500VAC@50Hz , 60s	
Torque	0.1N.m;+0.03/6ring	Electrical Noise	<0.03Ω	
Protection Grade	IP51			

## Lead Wires Color Code

Ring	1	2	3	4	5	6	7	8	9	10	11	12
Color	BLK	RED	YEL	GRN	BLU	WHT	BLK	RED	YEL	GRN	BLU	WHT

(6 wires for 1 group color, from 7-12, repeat the same color as 1...6, indicated with number code pipe)

## Options For Custom Slip Ring

Note: Below special demands can be customized. According, the delivery date will be extended 3 to 15 days; also the cost will be increased 30% to 50%. Most of our basic parts are standard and modular, which can save the cost and lead time.

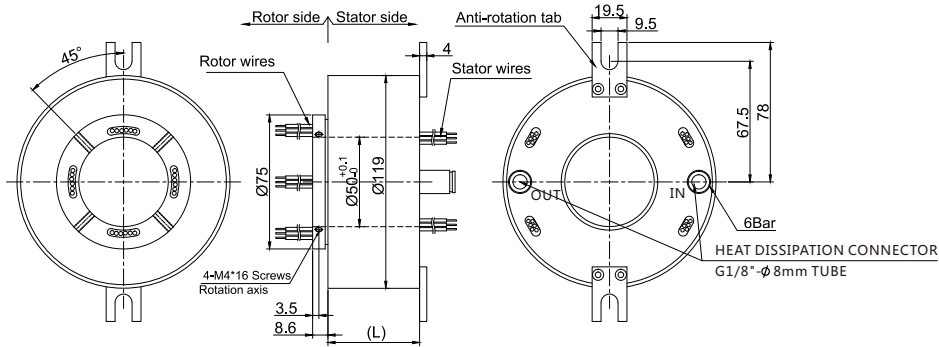
- ① Cable exit way and cable lenGSH can be customized for both rotor and stator.
- ② Because of the structure limitation, lenGSH/height/OD can be customized on your request.
- ③ Support current or signal up to 200 rings.
- ④ Aviation plug, terminal and heat-shrink tube are optional.
- ⑤ Hybrid slip ring for Yaskawa/Panasonic/Siemens servo control signal, power line and encoder line.
- ⑥ Support mixed high speed data transmission (including Ethernet, USB, RS232, RS485, Profibus, CanBUS, CANOPEN, DeviceNET, CC-LINK, ProfiNET, EtherCAT, etc.)
- ⑦ Can combine temperature control signal with thermocouple signal.
- ⑧ Special environment can be customized, such as quakeproof, high temperature, etc.
- ⑨ Hybrid Pneumatic/hydraulic and electric slip ring can be mixed.
- ⑩ High temperature can up to 500 degrees.
- ⑪ High pressure can up to 110KV
- ⑫ Rotating speed can up to 10000RPM
- ⑬ Maximum current can up to 5000 amperes.
- ⑭ Military grade
- ⑮ Optional for underwater IP65, IP68.
- ⑯ Optional for stainless steel housing

Technical support: [technical@moflon.com](mailto:technical@moflon.com)



# GHS50119 Series

GHS50119 series is a rotary electrical connector(rotary electrical joint) with bore size 12.7mm, OD 33mm, support 2~12 circuits.  
 High speed slip ring with bore size 12.7mm(1/2" ,used for <=12.7mm),OD 33mm.\*Attention : if required through bore <12.7mm , this can be resolved by adding a sleeve inside the bore.



## Part# Explanation

### GHS 50119 P 06 10-S 06



## Part# List

GHS50119 Series Parts# List							
Part#	10A	Signal or 5A	Length-L (mm)	Part#	10A	Signal or 5A	Length-L (mm)
GHS50119-S06	0	06	58.6	GHS50119-P1810-S12	18	12	154.8
GHS50119-P0210-S04	02	04	58.6	GHS50119-P2410-S06	24	06	154.8
GHS50119-P0410-S02	04	02	58.6	GHS50119-P3010	30	0	154.8
GHS50119-P0610	06	0	58.6	GHS50119-S36	0	36	177.6
GHS50119-S12	0	12	81.4	GHS50119-P0610-S30	06	30	177.6
GHS50119-P0210-S10	02	10	81.4	GHS50119-P1210-S24	12	24	177.6
GHS50119-P0410-S08	04	08	81.4	GHS50119-P1810-S18	18	18	177.6
GHS50119-P0610-S06	06	06	81.4	GHS50119-P2410-S12	24	12	177.6
GHS50119-P0810-S04	08	04	81.4	GHS50119-P3610	36	0	177.6
GHS50119-P1010-S02	10	02	81.4	GHS50119-S48	0	48	223.2
GHS50119-P1210	12	0	81.4	GHS50119-P0610-S42	06	42	223.2
GHS50119-S18	0	18	104.2	GHS50119-P1210-S36	12	36	223.2
GHS50119-P0210-S16	02	16	104.2	GHS50119-P1810-S30	18	30	223.2
GHS50119-P0410-S14	04	14	104.2	GHS50119-P2410-S24	24	24	223.2
GHS50119-P0610-S12	06	12	104.2	GHS50119-S60	0	60	273.8
GHS50119-P0810-S10	08	10	104.2	GHS50119-P0610-S54	06	54	273.8
GHS50119-P1010-S08	10	08	104.2	GHS50119-P1210-S48	12	48	273.8
GHS50119-P1210-S06	12	06	104.2	GHS50119-P1810-S42	18	42	273.8
GHS50119-P1410-S04	14	04	104.2	GHS50119-P2410-S36	24	36	273.8
GHS50119-P1610-S02	16	02	104.2	GHS50119-S72	0	72	319.4
GHS50119-S24	0	24	127	GHS50119-P0610-S66	06	66	319.4
GHS50119-P1610-S18	06	18	127	GHS50119-P1210-S60	12	60	319.4
GHS50119-P1210-S12	12	12	127	GHS50119-P2410-S48	24	48	319.4
GHS50119-P0810-S06	18	06	127	GHS50119-P3610-S36	36	36	319.4
GHS50119-P2410	24	0	127	GHS50119-S84	0	84	368
GHS50119-S30	0	30	154.8	GHS50119-P1210-S72	12	72	368

Note: N channels 10A rings parallel can be used as 1 channel N\*10A current. For example: 2 rings 10A parallel could be used as 1 wires 20A. 10A,5A (signal) can combine freely in any way.It can be customized based on standard slip ring,please contact customer service for more detmails.

## Specifications

Mechanical Data		Electrical Data		
Parameter	Value	Parameter	Value	
Working Life	300 million revs		Power	Signal
Rotating Speed	1~8000RPM	Rated Voltage	0~690VAC/VDC	0~440VAC/VDC
Working Temperature	-30°C~80°C	Insulation Resistance	≥1000MΩ/1000VDC	≥1000MΩ/500VDC
Operating Humidity	0~85% RH	Lead Wires	AWG16#Teflon	AWG22#Teflon
Contact Material	See Prod Quality Level	Lead LenGSH	Standard 300mm	
Housing Material	Aluminium Alloy	Insulation StrenGSH	500VAC@50Hz , 60s	
Torque	0.1N.m;+0.03/6ring	Electrical Noise	<0.03Ω	
Protection Grade	IP51			

## Lead Wires Color Code

Ring	1	2	3	4	5	6	7	8	9	10	11	12
Color	BLK	RED	YEL	GRN	BLU	WHT	BLK	RED	YEL	GRN	BLU	WHT

(6 wires for 1 group color, from 7-12, repeat the same color as 1...6, indicated with number code pipe)

## Options For Custom Slip Ring

Note: Below special demands can be customized. According, the delivery date will be extended 3 to 15 days; also the cost will be increased 30% to 50%. Most of our basic parts are standard and modular, which can save the cost and lead time.

- ① Cable exit way and cable lenGSH can be customized for both rotor and stator.
- ② Because of the structure limitation, lenGSH/height/OD can be customized on your request.
- ③ Support current or signal up to 200 rings.
- ④ Aviation plug, terminal and heat-shrink tube are optional.
- ⑤ Hybrid slip ring for Yaskawa/Panasonic/Siemens servo control signal, power line and encoder line.
- ⑥ Support mixed high speed data transmission (including Ethernet, USB, RS232, RS485, Profibus, CanBUS, CANOPEN, DeviceNET, CC-LINK, ProfiNET, EtherCAT, etc.)
- ⑦ Can combine temperature control signal with thermocouple signal.
- ⑧ Special environment can be customized, such as quakeproof, high temperature, etc.
- ⑨ Hybrid Pneumatic/hydraulic and electric slip ring can be mixed.
- ⑩ High temperature can up to 500 degrees.
- ⑪ High pressure can up to 110KV
- ⑫ Rotating speed can up to 10000RPM
- ⑬ Maximum current can up to 5000 amperes.
- ⑭ Military grade
- ⑮ Optional for underwater IP65, IP68.
- ⑯ Optional for stainless steel housing

Technical support: [technical@moflon.com](mailto:technical@moflon.com)