

# GT Series Slip Rings

GT series is a high-speed slip ring specially developed for high-speed rotating equipment. The speed can up to 12000RPM. The air cooling can ensure the heat generated by the slip ring during high-speed operation does not affect the stability and the working life of the signal.



## Features

- Support 1~96 power lines or signal lines.
- Precious metal contacts, precision bearings, no lubrication required.
- Ultra low torque, low loss, high stability, long life.

## GT Series Models

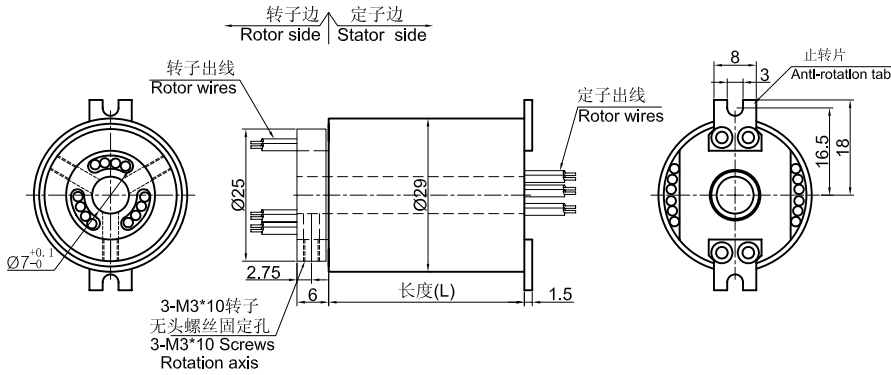
Model#	ID(mm)	OD(mm)	Circuits(Rings)
GT0729	7	29	1~12
GT1235	12.7	35	1~24
GT2045	20	45	1~24
GT1256	12.7	56	1~48
GT1256F	12.7	56	1~48
GT2586	25.4	86	1~96
GT2586F	25.4	86	1~96
GT3099	30	99	1~96
GT3099F	30	99	1~96
GT38109	38.1	109	1~96

Model#	ID(mm)	OD(mm)	Circuits(Rings)
GT38109F	38.1	109	1~96
GT50119	50	119	1~96
GT50119F	50	119	1~96
GT50130	50	130	1~96
GT60130	60	130	1~96
GT70158	70	158	1~96
GT80158	80	158	1~96
GT90185	90	185	1~96
GT100185	100	185	1~96

60% of MOFLON's sales are customized solutions, If you need to be customized, please contact: [technical@moflon.com](mailto:technical@moflon.com)

# GT 0729 Series

GT 0729 series is a high speed slip ring with OD 29mm, support 12 circuits, max speed 1800RPM.



## Part# Explanation

# GT 0729 - P06 - S 06

GT:High speed slip ring  
0729:OD 7~29mm

06:6 rings  
S:signal(5A)

## Part# List

GT 0729 Series Parts# List			
Part#	10A	Signal/5A	Length-L (mm)
GT0729-S02	0	2	30
GT0729-P0210	2	0	30
GT0729-S03	0	3	30
GT0729-P0310	3	0	30
GT0729-S04	0	4	30
GT0729-P0410	4	0	30
GT0729-S06	0	6	30
GT0729-P0210-S03	2	4	30
GT0729-P0410-S02	4	2	30
GT0729-P0610	6	0	43.8
GT0729-S12	0	12	43.8
GT0729-P0210-S09	2	10	43.8
GT0729-P0310-S09	3	9	43.8
GT0729-P0410-S06	4	8	43.8
GT0729-P0610-S03	6	6	43.8
GT0729-P0810-S06	8	4	57.6
GT0729-P1010-S03	10	2	57.6
GT0729-P1210	12	0	57.6

Note: N channels 10A rings parallel can be used as 1 channel N\*10A current. For example: 2 rings 10A parallel could be used as 1 wires 20A.

10A,5A (signal) can combine freely in any way.It can be customized based on standard slip ring,please contact customer service for more detmails.

## Specifications

Electrical Data		
Parameter	Value	
	Power	Signal
Rated Voltage	0~240VAC/VDC	0~240VAC/VDC
Insulation Resistance	≥500MΩ/500VDC	≥200MΩ/300VDC
Lead Wires	AWG22Teflon	AWG22Teflon
Lead Length	Standard 300mm	
Dielectric Strength	500VAC@50Hz, 60s	
Electrical Noise	<0.03Ω	
Mechanical Data		
Parameter	Value	
Working Life	10 Million revs	
Rotating Speed	1~1800RPM	
Working Temperature	-30°C~80°C	
Operating Humidity	0~85% RH	
Contact Material	Gold-plated	
Housing Materia	aluminium alloy	
Torque	0.1N.m ; +0.03N.m/6rings	
Protection Grade	IP51	

## Lead Wires Color Code

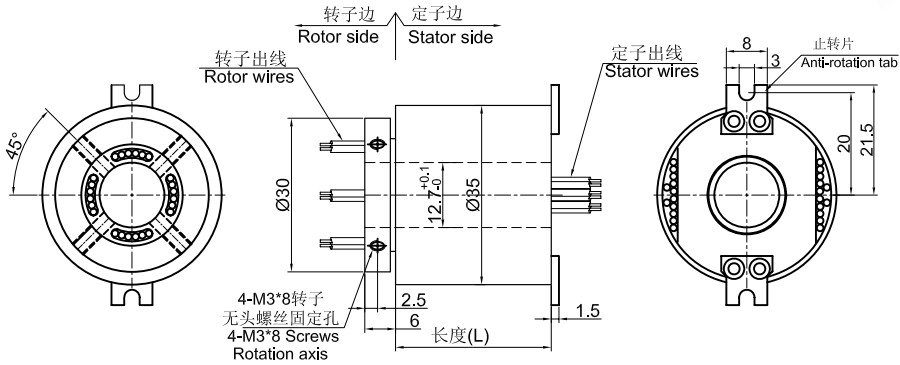
Ring	1	2	3	4	5	6	7	8	9	10	11	12
Code	BLK	RED	YLW	GRN	BLU	WHT	BLK	RED	YLW	GRN	BLU	WHT

Note:6 wires for 1 group color, from 7-12, repeat the same color as 1...6, indicated with number code pipe.

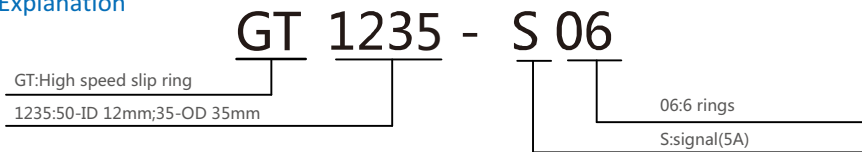
# GT1235Series

The first compact outer diameter is 35mm, and the through hole diameter is 12.7mm (1/2", applicable to <= 12.7mm)Series integral precision conductive slip ring.

\*Note: if the inner hole of < 12.7mm is needed, it can be solved by adding inner sleeve.



### Part# Explanation



### Part# List

Gt1235 Series Parts# List		
Part#	Signal/5A	Length-L (mm)
GT1235-S02	2	30.4
GT1235-S03	3	30.4
GT1235-S04	4	30.4
GT1235-S06	6	30.4
GT1235-S08	8	44.2
GT1235-S10	10	44.2
GT1235-S12	12	44.2
GT1235-S14	14	58
GT1235-S16	16	58
GT1235-S18	18	58
GT1235-S20	20	71.8
GT1235-S22	22	71.8
GT1235-S24	24	71.8

Note: N channels 10A rings parallel can be used as 1 channel N\*10A current. For example: 2 rings 10A parallel could be used as 1 wires 20A.  
10A,5A (signal) can combine freely in any way.It can be customized based on standard slip ring,please contact customer service for more details.

### Specifications

Electrical Data		
Parameter	Value	
	Power	Signal
Rated Voltage	0~240VAC/VDC	0~240VAC/VDC
Insulation Resistance	≥500MΩ/500VDC	≥500MΩ/500VDC
Lead Wires	AWG22Teflon	AWG22Teflon
Lead Length	Standard 300mm	
Dielectric Strength	500VAC@50Hz , 60s	
Electrical Noise	<0.03Ω	
Mechanical Data		
Parameter	Value	
Working Life	10 Million revs	
Rotating Speed	1~1800RPM	
Working Temperature	-30°C~80°C	
Operating Humidity	0~85% RH	
Contact Material	Gold-plated	
Housing Material	aluminium alloy	
Torque	0.1N.m ; +0.03N.m/6rings	
Protection Grade	IP51	

### Lead Wires Color Code

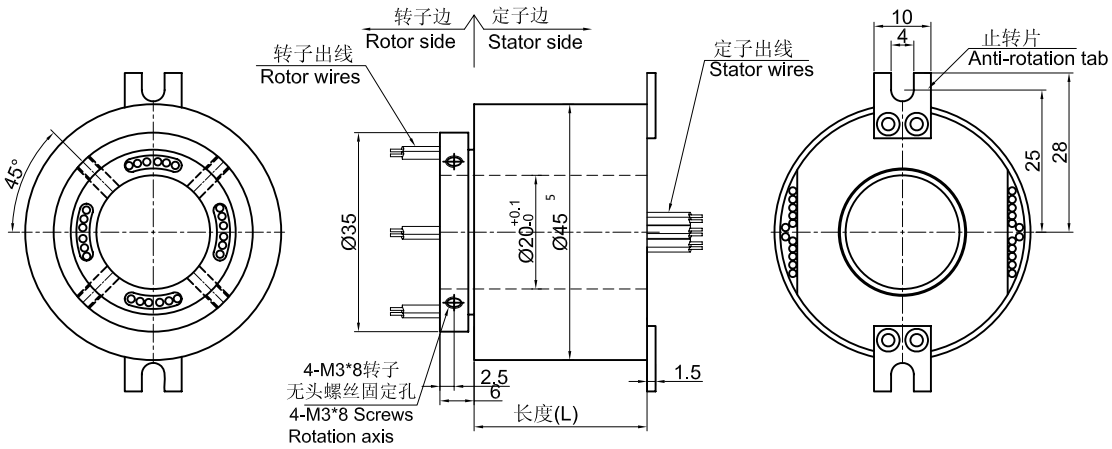
Ring	1	2	3	4	5	6	7	8	9	10	11	12
Code	BLK	RED	YLW	GRN	BLU	WHT	BLK	RED	YLW	GRN	BLU	WHT

Note:6 wires for 1 group color, from 7-12, repeat the same color as 1...6, indicated with number code pipe.

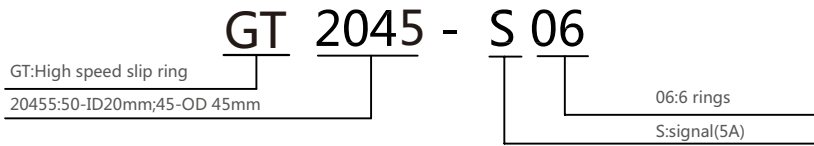
# Gt2045Series

Compact, 45mm od through-hole diameter of 20mm (applicable to < = 20mm)  
standard series integral precision conductive slip ring.

\*Note: if the inner hole less than 20 mm is needed, it can be solved by adding inner sleeve.



## Part# Explanation



## Part# List

Gt2045 Series Parts# List		
Part#	Signal/5A	Length-L (mm)
GT2045-S02	2	30.4
GT2045-S03	3	30.4
GT2045-S04	4	30.4
GT2045-S06	6	30.4
GT2045-S08	8	44.2
GT2045-S10	10	44.2
GT2045-S12	12	44.2
GT2045-S14	14	58
GT2045-S16	16	58
GT2045-S18	18	58
GT2045-S20	20	71.8
GT2045-S22	22	71.8
GT2045-S24	24	71.8

Note: N channels 10A rings parallel can be used as 1 channel N\*10A current. For example: 2 rings 10A parallel could be used as 1 wires 20A.  
10A, 5A (signal) can combine freely in any way. It can be customized based on standard slip ring, please contact customer service for more details.

## Specifications

Electrical Data		
Parameter	Value	
	Power	Signal
Rated Voltage	0~240VAC/VDC	0~240VAC/VDC
Insulation Resistance	≥500MΩ/500VDC	≥500MΩ/500VDC
Lead Wires	AWG22Teflon	AWG22Teflon
Lead Length	Standard 300mm	
Dielectric Strength	500VAC@50Hz, 60s	
Electrical Noise	<0.03Ω	
Mechanical Data		
Parameter	Value	
Working Life	10 Million revs	
Rotating Speed	1~1800RPM	
Working Temperature	-30°C~80°C	
Operating Humidity	0~85% RH	
Contact Material	Gold-plated	
Housing Material	aluminium alloy	
Torque	0.1N.m ; +0.03N.m/6rings	
Protection Grade	IP51	

## Lead Wires Color Code

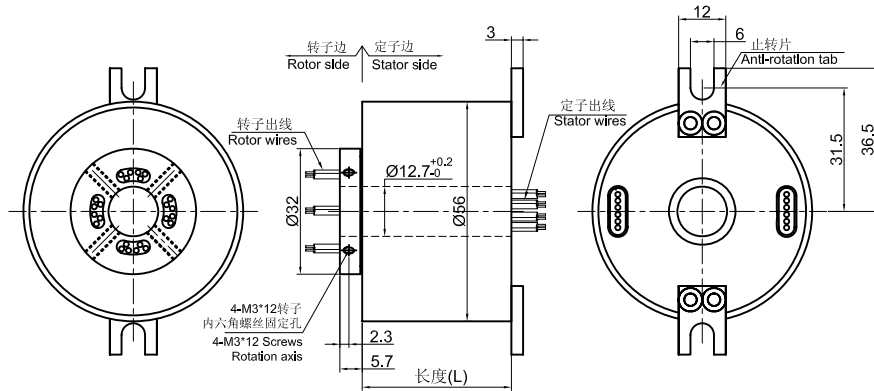
Ring	1	2	3	4	5	6	7	8	9	10	11	12
Code	BLK	RED	YLW	GRN	BLU	WHT	BLK	RED	YLW	GRN	BLU	WHT

Note: 6 wires for 1 group color, from 7-12, repeat the same color as 1...6, indicated with number code pipe.

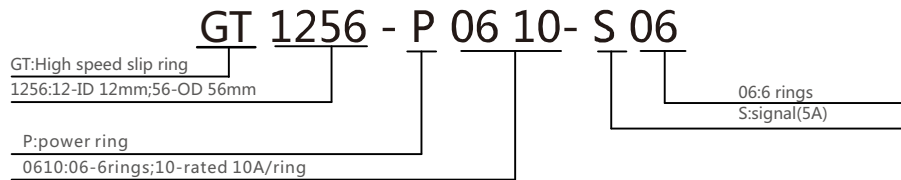
# Gt1256 series

The rotor is installed with flange, and the through-hole diameter is 12.7mm (1/2", applicable to < = 12.7mm) Standard series integral precision conductive slip ring.

\*Note: if the inner hole of < 12.7mm is needed, it can be solved by adding inner sleeve.



## Part# Explanation



## Part# List

Gt1256 Series Parts# List							
Part#	10A	Signal/5A	Length-L (mm)	Part#	10A	Signal/5A	Length-L (mm)
GT1256-S06	0	6	48.2	GT1256-P1410-S04	14	4	86.6
GT1256-P0210-S04	2	4	48.2	GT1256-P1610-S02	16	2	86.6
GT1256-P0410-S02	4	2	48.2	GT1256-P1810	18	0	86.6
GT1256-P0610	6	0	48.2	GT1256-S24	0	24	105.8
GT1256-S12	0	12	67.4	GT1256-P0410-S20	4	20	105.8
GT1256-P0210-S10	2	10	67.4	GT1256-P0610-S18	6	18	105.8
GT1256-P0410-S09	3	9	67.4	GT1256-P1210-S12	12	12	105.8
GT1256-P0610-S06	6	6	67.4	GT1256-P1810-S06	18	6	105.8
GT1256-P0810-S04	8	4	67.4	GT1256-S30	0	30	130
GT1256-P1010-S02	10	2	67.4	GT1256-P0210-S28	2	28	130
GT1256-P1210	12	0	67.4	GT1256-P0410-S26	4	26	130
GT1256-S18	0	18	86.6	GT1256-P0610-S24	6	24	130
GT1256-P0210-S16	2	16	86.6	GT1256-S36	0	36	149.2
GT1256-P0410-S14	4	14	86.6	GT1256-P0410-S32	4	32	149.2
GT1256-P0610-S12	6	12	86.6	GT1256-P0610-S30	6	30	149.2
GT1256-P0810-S10	8	10	86.6	GT1256-S42	0	42	168.4
GT1256-P1010-S08	10	8	86.6	GT1256-P0410-S38	4	38	168.4
GT1256-P1210-S06	12	6	86.6	GT1256-S48	0	48	187.6

Note: N channels 10A rings parallel can be used as 1 channel N\*10A current. For example: 2 rings 10A parallel could be used as 1 wires 20A.

10A, 5A (signal) can combine freely in any way. It can be customized based on standard slip ring, please contact customer service for more details.

## Specifications

Electrical Data		
Parameter	Value	
	Power	Signal
Rated Voltage	0~440VAC/VDC	0~440VAC/VDC
Insulation Resistance	≥1000MΩ/500VDC	≥1000MΩ/500VDC
Lead Wires	AWG17#Teflon	AWG22#Teflon
Lead Length	standard 300mm(adjustable)	
Insulation Strength	500VAC@50Hz , 60s	
Electrical Noise	<0.03Ω	
Mechanical Data		
Parameter	Value	
Working Life	See Product Quality Level Table	
Rotating Speed	See Product Quality Level Table	
Working Temperature	-30°C~80°C	
Operating Humidity	0~85% RH	
Contact Material	Precious Metal	
Housing Material	Aluminium Alloy	
Protection Grade	IP51	

## Lead Wires Color Code

Ring	1	2	3	4	5	6	7	8	9	10	11	12
Color	BLK	RED	YLW	GRN	BLU	WHT	BLK	RED	YLW	GRN	BLU	WHT

(6 wires for 1 group color, from 7-12, repeat the same color as 1...6, indicated with number code pipe)

## Options for custom slip ring

Note: Below special demands can be customized. According, the delivery date will be extended 3 to 15 days; also the cost will be increased 30% to 50%. Most of our basic parts are standard and modular, which can save the cost and lead time.

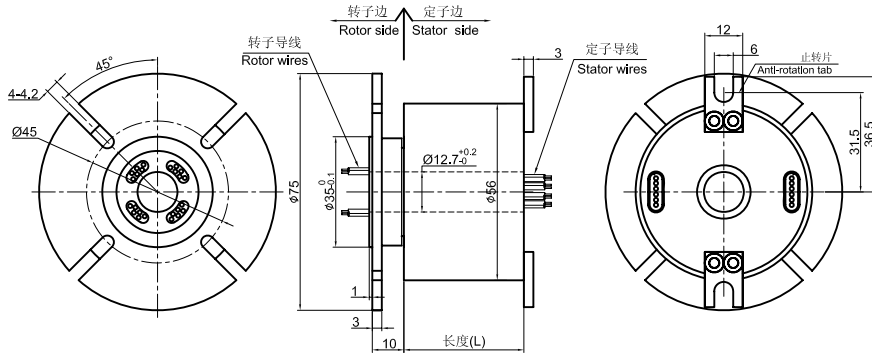
- ① Cable exit way and cable length can be customized for both rotor and stator.
- ② Because of the structure limitation, length/height/OD can be customized on your request.
- ③ Support current or signal up to 200 rings.
- ④ Aviation plug, terminal and heat-shrink tube are optional.
- ⑤ Hybrid slip ring for Yaskawa/Panasonic/Siemens servo control signal, power line and encoder line.
- ⑥ Support mixed high speed data transmission (including Ethernet, USB, RS232, RS485, Profibus, CanBUS, CANOPEN, DeviceNET, CC-LINK, ProfiNET, EtherCAT, etc.)
- ⑦ Can combine temperature control signal with thermocouple signal.
- ⑧ Special environment can be customized, such as quakeproof, high temperature, etc.
- ⑨ Hybrid Pneumatic/hydraulic and electric slip ring can be mixed.
- ⑩ High temperature can up to 500 degrees.
- ⑪ High pressure can up to 110KV
- ⑫ Rotating speed can up to 10000RPM
- ⑬ Maximum current can up to 5000 amperes.
- ⑭ Military grade
- ⑮ Optional for underwater IP65, IP68.
- ⑯ Optional for stainless steel housing

Technical support: [technical@moflon.com](mailto:technical@moflon.com)

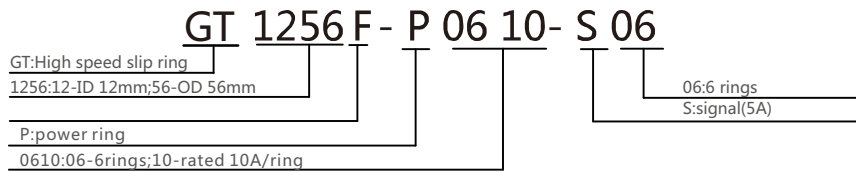
# GT1256F series

The rotor is installed with flange, and the through-hole diameter is 12.7mm (1/2"), applicable to < = 12.7mm) Standard series integral precision conductive slip ring.

\*Note: if the inner hole of < 12.7mm is needed, it can be solved by adding inner sleeve.



## Part# Explanation



## Part# List

GT1256F Series Parts# List							
Part#	10A	Signal/5A	Length-L (mm)	Part#	10A	Signal/5A	Length-L (mm)
GT1256F-S06	0	6	48.2	GT1256F-P1410-S04	14	4	86.6
GT1256F-P0210-S04	2	4	48.2	GT1256F-P1610-S02	16	2	86.6
GT1256F-P0410-S02	4	2	48.2	GT1256F-P1810	18	0	86.6
GT1256F-P0610	6	0	48.2	GT1256F-S24	0	24	105.8
GT1256F-S12	0	12	67.4	GT1256F-P0410-S20	4	20	105.8
GT1256F-P0210-S10	2	10	67.4	GT1256F-P0610-S18	6	18	105.8
GT1256F-P0410-S09	3	9	67.4	GT1256F-P1210-S12	12	12	105.8
GT1256F-P0610-S06	6	6	67.4	GT1256F-P1810-S06	18	6	105.8
GT1256F-P0810-S04	8	4	67.4	GT1256F-S30	0	30	130
GT1256F-P1010-S02	10	2	67.4	GT1256F-P0210-S28	2	28	130
GT1256F-P1210	12	0	67.4	GT1256F-P0410-S26	4	26	130
GT1256F-S18	0	18	86.6	GT1256F-P0610-S24	6	24	130
GT1256F-P0210-S16	2	16	86.6	GT1256F-S36	0	36	149.2
GT1256F-P0410-S14	4	14	86.6	GT1256F-P0410-S32	4	32	149.2
GT1256F-P0610-S12	6	12	86.6	GT1256F-P0610-S30	6	30	149.2
GT1256F-P0810-S10	8	10	86.6	GT1256F-S42	0	42	168.4
GT1256F-P1010-S08	10	8	86.6	GT1256F-P0410-S38	4	38	168.4
GT1256F-P1210-S06	12	6	86.6	GT1256F-S48	0	48	187.6

Note: N channels 10A rings parallel can be used as 1 channel N\*10A current. For example: 2 rings 10A parallel could be used as 1 wires 20A.

10A, 5A (signal) can combine freely in any way. It can be customized based on standard slip ring, please contact customer service for more details.

## Specifications

Electrical Data		
Parameter	Value	
	Power	Signal
Rated Voltage	0~440VAC/VDC	0~440VAC/VDC
Insulation Resistance	≥1000MΩ/500VDC	≥1000MΩ/500VDC
Lead Wires	AWG17#Teflon	AWG22#Teflon
Lead Length	standard 300mm(adjustable)	
Insulation Strength	500VAC@50Hz , 60s	
Electrical Noise	<0.03Ω	
Mechanical Data		
Parameter	Value	
Working Life	See Product Quality Level Table	
Rotating Speed	See Product Quality Level Table	
Working Temperature	-30°C~80°C	
Operating Humidity	0~85% RH	
Contact Material	Precious Metal	
Housing Material	Aluminium Alloy	
Protection Grade	IP51	

## Lead Wires Color Code

Ring	1	2	3	4	5	6	7	8	9	10	11	12
Color	BLK	RED	YLW	GRN	BLU	WHT	BLK	RED	YLW	GRN	BLU	WHT

(6 wires for 1 group color, from 7-12, repeat the same color as 1...6, indicated with number code pipe)

## Options for custom slip ring

Note: Below special demands can be customized. According, the delivery date will be extended 3 to 15 days; also the cost will be increased 30% to 50%. Most of our basic parts are standard and modular, which can save the cost and lead time.

- ① Cable exit way and cable length can be customized for both rotor and stator.
- ② Because of the structure limitation, length/height/OD can be customized on your request.
- ③ Support current or signal up to 200 rings.
- ④ Aviation plug, terminal and heat-shrink tube are optional.
- ⑤ Hybrid slip ring for Yaskawa/Panasonic/Siemens servo control signal, power line and encoder line.
- ⑥ Support mixed high speed data transmission (including Ethernet, USB, RS232, RS485, Profibus, CanBUS, CANOPEN, DeviceNET, CC-LINK, ProfiNET, EtherCAT, etc.)
- ⑦ Can combine temperature control signal with thermocouple signal.
- ⑧ Special environment can be customized, such as quakeproof, high temperature, etc.
- ⑨ Hybrid Pneumatic/hydraulic and electric slip ring can be mixed.
- ⑩ High temperature can up to 500 degrees.
- ⑪ High pressure can up to 110KV
- ⑫ Rotating speed can up to 10000RPM
- ⑬ Maximum current can up to 5000 amperes.
- ⑭ Military grade
- ⑮ Optional for underwater IP65, IP68.
- ⑯ Optional for stainless steel housing

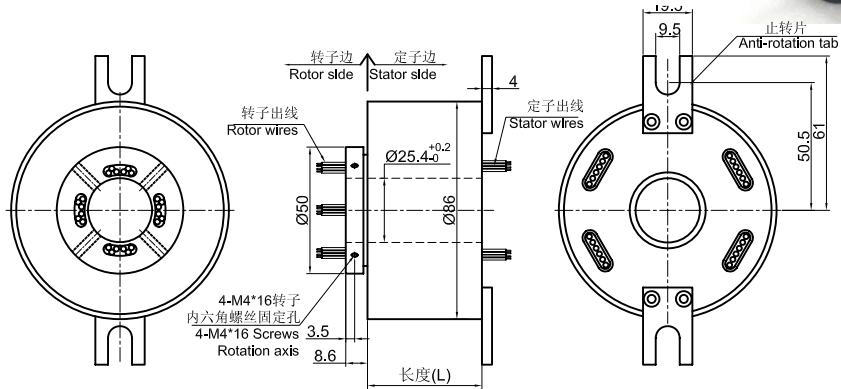
Technical support: [technical@moflon.com](mailto:technical@moflon.com)



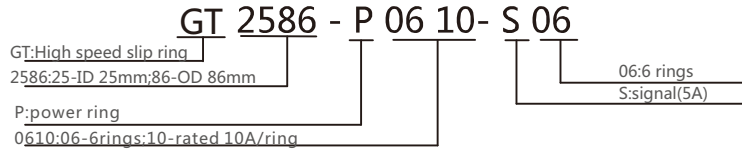
# Gt2586 series

Standard series integral precision conductive slip ring with outer diameter of 86mm and through hole diameter of 25.4mm (applicable to  $< = 25.4\text{mm}$ ).

\*Note: if the inner hole of  $< 25.4\text{mm}$  is needed, it can be solved by adding inner sleeve.



## Part# Explanation



## Part# List

Gt2586 Series Parts# List							
Part#	10A	Signal/5A	Length-L (mm)	Part#	10A	Signal/5A	Length-L (mm)
GT2586-S06	0	06	55.6	GT2586-S30	0	30	151.8
GT2586-P0210-S04	02	04	55.6	GT2586-P0610-S24	06	24	151.8
GT2586-P0410-S02	04	02	55.6	GT2586-P1210-S18	12	18	151.8
GT2586-P0610	06	0	55.6	GT2586-P1810-S12	18	12	151.8
GT2586-S12	0	12	78.4	GT2586-P2410-S06	24	06	151.8
GT2586-P0210-S10	02	10	78.4	GT2586-P3010	30	0	151.8
GT2586-P0410-S08	04	08	78.4	GT2586-S36	0	36	174.6
GT2586-P0610-S06	06	06	78.4	GT2586-P0610-S30	06	30	174.6
GT2586-P0810-S04	08	04	78.4	GT2586-P1210-S24	12	24	174.6
GT2586-P1010-S02	10	02	78.4	GT2586-S1810-S18	18	18	174.6
GT2586-P1210	12	0	78.4	GT2586-P2410-S12	24	12	174.6
GT2586-S18	0	18	101.2	GT2586-P3610	36	0	174.6
GT2586-P0210-S16	02	16	101.2	GT2586-S48	0	48	220.2
GT2586-P0410-S14	04	14	101.2	GT2586-P10610-S42	06	42	220.2
GT2586-P0610-S12	06	12	101.2	GT2586-P1210-S36	12	36	220.2
GT2586-P0810-S10	08	10	101.2	GT2586-P1810-S30	18	30	220.2
GT2586-P1010-S08	10	08	101.2	GT2586-P2410-S24	24	24	220.2
GT2586-P1210-S06	12	06	101.2	GT2586-S60	0	60	270.8
GT2586-P1410-S04	14	04	101.2	GT2586-P0610-S54	06	54	270.8
GT2586-P1610-S02	16	02	101.2	GT2586-P1210-S48	12	48	270.8
GT2586-S24	0	24	124	GT2586-P1810-S42	18	42	270.8
GT2586-P1610-S18	06	18	124	GT2586-P2410-S36	24	36	270.8
GT2586-P1210-S12	12	12	124	GT2586-S72	0	72	316.4
GT2586-P0810-S06	18	06	124	GT2586-S84	0	84	365
GT2586-P2410	24	0	124	GT2586-S96	0	96	410.6

Note: N channels 10A rings parallel can be used as 1 channel N\*10A current. For example: 2 rings 10A parallel could be used as 1 wires 20A. 10A, 5A (signal) can combine freely in any way. It can be customized based on standard slip ring, please contact customer service for more details.

## Specifications

Electrical Data		
Parameter	Value	
	Power	Signal
Rated Voltage	0~440VAC/VDC	0~440VAC/VDC
Insulation Resistance	≥1000MΩ/500VDC	≥1000MΩ/500VDC
Lead Wires	AWG17#Teflon	AWG22#Teflon
Lead Length	standard 300mm(adjustable)	
Insulation Strength	500VAC@50Hz , 60s	
Electrical Noise	<0.03Ω	
Mechanical Data		
Parameter	Value	
Working Life	See Product Quality Level Table	
Rotating Speed	See Product Quality Level Table	
Working Temperature	-30°C~80°C	
Operating Humidity	0~85% RH	
Contact Material	Precious Metal	
Housing Material	Aluminium Alloy	
Protection Grade	IP51	

## Lead Wires Color Code

Ring	1	2	3	4	5	6	7	8	9	10	11	12
Color	BLK	RED	YLW	GRN	BLU	WHT	BLK	RED	YLW	GRN	BLU	WHT

(6 wires for 1 group color, from 7-12, repeat the same color as 1...6, indicated with number code pipe)

## Options for custom slip ring

Note: Below special demands can be customized. According, the delivery date will be extended 3 to 15 days; also the cost will be increased 30% to 50%. Most of our basic parts are standard and modular, which can save the cost and lead time.

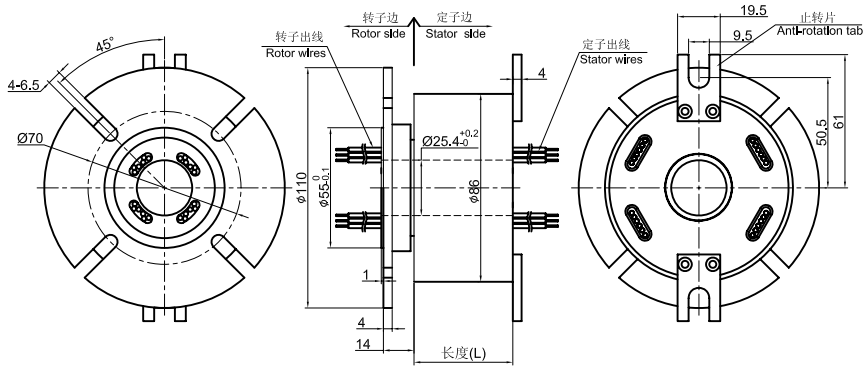
- ① Cable exit way and cable length can be customized for both rotor and stator.
- ② Because of the structure limitation, length/height/OD can be customized on your request.
- ③ Support current or signal up to 200 rings.
- ④ Aviation plug, terminal and heat-shrink tube are optional.
- ⑤ Hybrid slip ring for Yaskawa/Panasonic/Siemens servo control signal, power line and encoder line.
- ⑥ Support mixed high speed data transmission (including Ethernet, USB, RS232, RS485, Profibus, CanBUS, CANOPEN, DeviceNET, CC-LINK, ProfiNET, EtherCAT, etc.)
- ⑦ Can combine temperature control signal with thermocouple signal.
- ⑧ Special environment can be customized, such as quakeproof, high temperature, etc.
- ⑨ Hybrid Pneumatic/hydraulic and electric slip ring can be mixed.
- ⑩ High temperature can up to 500 degrees.
- ⑪ High pressure can up to 110KV
- ⑫ Rotating speed can up to 10000RPM
- ⑬ Maximum current can up to 5000 amperes.
- ⑭ Military grade
- ⑮ Optional for underwater IP65, IP68.
- ⑯ Optional for stainless steel housing

Technical support: [technical@moflon.com](mailto:technical@moflon.com)

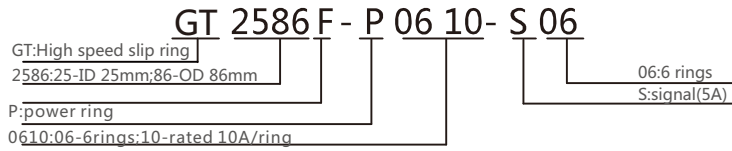
# GT2586Fseries

Standard series integral precision conductive slip ring with outer diameter of 86mm and through hole diameter of 25.4mm (applicable to  $< = 25.4\text{mm}$ ).

\*Note: if the inner hole of  $< 25.4\text{mm}$  is needed, it can be solved by adding inner sleeve.



## Part# Explanation



## Part# List

GT2586F Series Parts# List							
Part#	10A	Signal/5A	Length-L (mm)	Part#	10A	Signal/5A	Length-L (mm)
GT2586F-S06	0	06	55.6	GT2586F-S30	0	30	151.8
GT2586F-P0210-S04	02	04	55.6	GT2586F-P0610-S24	06	24	151.8
GT2586F-P0410-S02	04	02	55.6	GT2586F-P1210-S18	12	18	151.8
GT2586F-P0610	06	0	55.6	GT2586F-P1810-S12	18	12	151.8
GT2586F-S12	0	12	78.4	GT2586F-P2410-S06	24	06	151.8
GT2586F-P0210-S10	02	10	78.4	GT2586F-P3010	30	0	151.8
GT2586F-P0410-S08	04	08	78.4	GT2586F-S36	0	36	174.6
GT2586F-P0610-S06	06	06	78.4	GT2586F-P0610-S30	06	30	174.6
GT2586F-P0810-S04	08	04	78.4	GT2586F-P1210-S24	12	24	174.6
GT2586F-P1010-S02	10	02	78.4	GT2586F-S1810-S18	18	18	174.6
GT2586F-P1210	12	0	78.4	GT2586F-P2410-S12	24	12	174.6
GT2586F-S18	0	18	101.2	GT2586F-P3610	36	0	174.6
GT2586F-P0210-S16	02	16	101.2	GT2586F-S48	0	48	220.2
GT2586F-P0410-S14	04	14	101.2	GT2586F-P10610-S42	06	42	220.2
GT2586F-P0610-S12	06	12	101.2	GT2586F-P1210-S36	12	36	220.2
GT2586F-P0810-S10	08	10	101.2	GT2586F-P1810-S30	18	30	220.2
GT2586F-P1010-S08	10	08	101.2	GT2586F-P2410-S24	24	24	220.2
GT2586F-P1210-S06	12	06	101.2	GT2586F-S60	0	60	270.8
GT2586F-P1410-S04	14	04	101.2	GT2586F-P0610-S54	06	54	270.8
GT2586F-P1610-S02	16	02	101.2	GT2586F-P1210-S48	12	48	270.8
GT2586F-S24	0	24	124	GT2586F-P1810-S42	18	42	270.8
GT2586F-P1610-S18	06	18	124	GT2586F-P2410-S36	24	36	270.8
GT2586F-P1210-S12	12	12	124	GT2586F-S72	0	72	316.4
GT2586F-P0810-S06	18	06	124	GT2586F-S84	0	84	365
GT2586F-P2410	24	0	124	GT2586F-S96	0	96	410.6

Note: N channels 10A rings parallel can be used as 1 channel N\*10A current. For example: 2 rings 10A parallel could be used as 1 wires 20A. 10A, 5A (signal) can combine freely in any way. It can be customized based on standard slip ring, please contact customer service for more details.

## Specifications

Electrical Data		
Parameter	Value	
	Power	Signal
Rated Voltage	0~690VAC/VDC	0~440VAC/VDC
Insulation Resistance	≥1000MΩ/1000VDC	≥1000MΩ/500VDC
Lead Wires	AWG16#Teflon	AWG22#Teflon
Lead Length	standard 300mm(adjustable)	
Insulation Strength	500VAC@50Hz , 60s	
Electrical Noise	<0.03Ω	
Mechanical Data		
Parameter	Value	
Working Life	See Product Quality Level Table	
Rotating Speed	See Product Quality Level Table	
Working Temperature	-30°C~80°C	
Operating Humidity	0~85% RH	
Contact Material	Precious Metal	
Housing Material	Aluminium Alloy	
Protection Grade	IP51	

## Lead Wires Color Code

Ring	1	2	3	4	5	6	7	8	9	10	11	12
Color	BLK	RED	YLW	GRN	BLU	WHT	BLK	RED	YLW	GRN	BLU	WHT

(6 wires for 1 group color, from 7-12, repeat the same color as 1...6, indicated with number code pipe)

## Options for custom slip ring

Note: Below special demands can be customized. According, the delivery date will be extended 3 to 15 days; also the cost will be increased 30% to 50%. Most of our basic parts are standard and modular, which can save the cost and lead time.

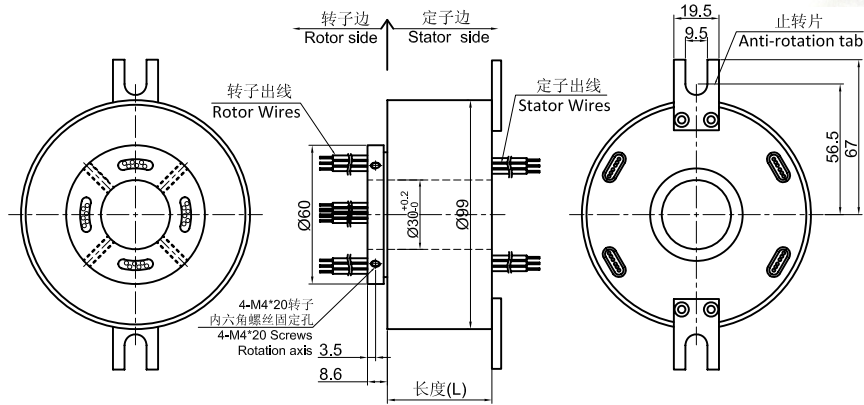
- ① Cable exit way and cable length can be customized for both rotor and stator.
- ② Because of the structure limitation, length/height/OD can be customized on your request.
- ③ Support current or signal up to 200 rings.
- ④ Aviation plug, terminal and heat-shrink tube are optional.
- ⑤ Hybrid slip ring for Yaskawa/Panasonic/Siemens servo control signal, power line and encoder line.
- ⑥ Support mixed high speed data transmission (including Ethernet, USB, RS232, RS485, Profibus, CanBUS, CANOPEN, DeviceNET, CC-LINK, ProfiNET, EtherCAT, etc.)
- ⑦ Can combine temperature control signal with thermocouple signal.
- ⑧ Special environment can be customized, such as quakeproof, high temperature, etc.
- ⑨ Hybrid Pneumatic/hydraulic and electric slip ring can be mixed.
- ⑩ High temperature can up to 500 degrees.
- ⑪ High pressure can up to 110KV
- ⑫ Rotating speed can up to 10000RPM
- ⑬ Maximum current can up to 5000 amperes.
- ⑭ Military grade
- ⑮ Optional for underwater IP65, IP68.
- ⑯ Optional for stainless steel housing

Technical support: [technical@moflon.com](mailto:technical@moflon.com)

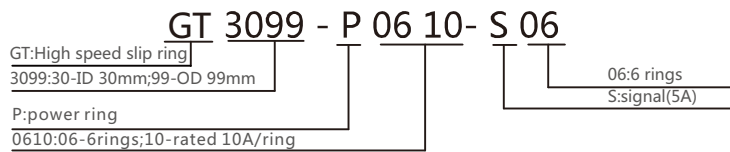
# GT3099series

Standard series integral precision conductive slip ring with outer diameter of 86mm and through hole diameter of 25.4mm (applicable to  $\leq 25.4\text{mm}$ ).

\*Note: if the inner hole of  $< 25.4\text{mm}$  is needed, it can be solved by adding inner sleeve.



## Part# Explanation



## Part# List

Gt3099 Series Parts# List							
Part#	10A	Signal/5A	Length-L (mm)	Part#	10A	Signal/5A	Length-L (mm)
GT3099-S06	0	06	55.6	GT3099-P1810-S12	18	12	151.8
GT3099-P0210-S04	02	04	55.6	GT3099-P2410-S06	24	06	151.8
GT3099-P0410-S02	04	02	55.6	GT3099-P3010	30	0	151.8
GT3099-P0610	06	0	55.6	GT3099-S36	0	36	174.6
GT3099-S12	0	12	78.4	GT3099-P0610-S30	06	30	174.6
GT3099-P0210-S10	02	10	78.4	GT3099-P1210-S24	12	24	174.6
GT3099-P0310-S08	04	08	78.4	GT3099-P1810-S18	18	18	174.6
GT3099-P0610-S06	06	06	78.4	GT3099-P2410-S12	24	12	174.6
GT3099-P0810-S04	08	04	78.4	GT3099-P3610	36	0	174.6
GT3099-P1010-S02	10	02	78.4	GT3099-S48	0	48	220.2
GT3099-P1210	12	0	78.4	GT3099-P0610-S42	06	42	220.2
GT3099-S18	0	18	101.2	GT3099-P1210-S36	12	36	220.2
GT3099-P0210-S16	02	16	101.2	GT3099-P1810-S30	18	30	220.2
GT3099-P0410-S14	04	14	101.2	GT3099-P2410-S24	24	24	220.2
GT3099-P0610-S12	06	12	101.2	GT3099-S60	0	60	270.8
GT3099-P0810-S10	08	10	101.2	GT3099-P0610-S54	06	54	270.8
GT3099-P1010-S08	10	08	101.2	GT3099-P1210-S48	12	48	270.8
GT3099-P1210-S06	12	06	101.2	GT3099-P0810-S42	18	42	270.8
GT3099-P1410-S04	14	04	101.2	GT3099-P2410-S36	24	36	270.8
GT3099-P1610-S02	16	02	101.2	GT3099-S72	0	72	316.4
GT3099-S24	0	24	124	GT3099-P0610-S66	06	66	316.4
GT3099-P1610-S18	06	18	124	GT3099-P1210-S60	12	60	316.4
GT3099-P1210-S12	12	12	124	GT3099-P2410-S48	24	48	316.4
GT3099-P0810-S06	18	06	124	GT3099-P3610-S36	36	36	316.4
GT3099-P2410	24	0	124	GT3099-S84	0	84	365
GT3099-S30	0	30	151.8	GT3099-P1210-S72	12	72	365

GT3099-P0610-S20	06	24	151.8	GT3099-P2410-S60	24	60	365
GT3099-P1210-S18	12	18	151.8	GT3099-S96	0	96	410.6

Note: N channels 10A rings parallel can be used as 1 channel N\*10A current. For example: 2 rings 10A parallel could be used as 1 wires 20A.  
10A,5A (signal) can combine freely in any way.It can be customized based on standard slip ring,please contact customer service for more detmails.

## Specifications

Electrical Data		
Parameter	Value	
	Power	Signal
Rated Voltage	0~690VAC/VDC	0~440VAC/VDC
Insulation Resistance	≥1000MΩ/1000VDC	≥1000MΩ/500VDC
Lead Wires	AWG16#Teflon	AWG22#Teflon
Lead Length	standard 300mm(adjustable)	
Insulation Strength	500VAC@50Hz , 60s	
Electrical Noise	<0.03Ω	
Mechanical Data		
Parameter	Value	
Working Life	See Product Quality Level Table	
Rotating Speed	See Product Quality Level Table	
Working Temperature	-30°C~80°C	
Operating Humidity	0~85% RH	
Contact Material	Precious Metal	
Housing Material	Aluminium Alloy	
Protection Grade	IP51	

## Lead Wires Color Code

Ring	1	2	3	4	5	6	7	8	9	10	11	12
Color	BLK	RED	YLW	GRN	BLU	WHT	BLK	RED	YLW	GRN	BLU	WHT

(6 wires for 1 group color, from 7-12, repeat the same color as 1...6, indicated with number code pipe)

## Options for custom slip ring

Note: Below special demands can be customized. According, the delivery date will be extended 3 to 15 days; also the cost will be increased 30% to 50%. Most of our basic parts are standard and modular, which can save the cost and lead time.

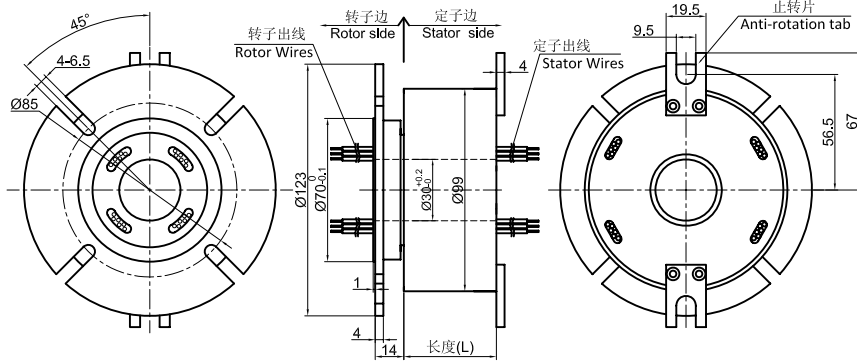
- ① Cable exit way and cable length can be customized for both rotor and stator.
- ② Because of the structure limitation, length/height/OD can be customized on your request.
- ③ Support current or signal up to 200 rings.
- ④ Aviation plug, terminal and heat-shrink tube are optional.
- ⑤ Hybrid slip ring for Yaskawa/Panasonic/Siemens servo control signal, power line and encoder line.
- ⑥ Support mixed high speed data transmission (including Ethernet, USB, RS232, RS485, Profibus, CanBUS, CANOPEN, DeviceNET, CC-LINK, ProfiNET, EtherCAT, etc.)
- ⑦ Can combine temperature control signal with thermocouple signal.
- ⑧ Special environment can be customized, such as quakeproof, high temperature, etc.
- ⑨ Hybrid Pneumatic/hydraulic and electric slip ring can be mixed.
- ⑩ High temperature can up to 500 degrees.
- ⑪ High pressure can up to 110KV
- ⑫ Rotating speed can up to 10000RPM
- ⑬ Maximum current can up to 5000 amperes.
- ⑭ Military grade
- ⑮ Optional for underwater IP65, IP68.
- ⑯ Optional for stainless steel housing

Technical support: technical@moflon.com

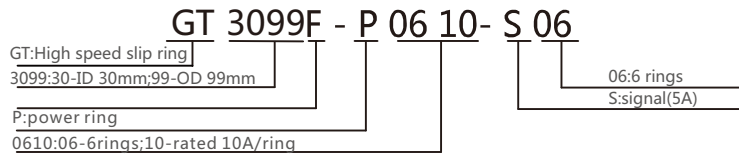
# GT3099Fseries

Rotor flange installation, outer diameter 99mm, through hole diameter 30mm, applicable to <math>\le 30\text{mm}</math>The standard series of integral precision conductive slip rings.

\*Note: if the inner hole of <math>< 30\text{mm}</math> is needed, it can be solved by adding inner sleeve.



## Part# Explanation



## Part# List

GT3099F Series Parts# List							
Part#	10A	Signal/5A	Length-L (mm)	Part#	10A	Signal/5A	Length-L (mm)
GT3099F-S06	0	06	55.6	GT3099F-P1810-S12	18	12	151.8
GT3099F-P0210-S04	02	04	55.6	GT3099F-P2410-S06	24	06	151.8
GT3099F-P0410-S02	04	02	55.6	GT3099F-P3010	30	0	151.8
GT3099F-P0610	06	0	55.6	GT3099F-S36	0	36	174.6
GT3099F-S12	0	12	78.4	GT3099F-P0610-S30	06	30	174.6
GT3099F-P0210-S10	02	10	78.4	GT3099F-P1210-S24	12	24	174.6
GT3099F-P0310-S08	04	08	78.4	GT3099F-P1810-S18	18	18	174.6
GT3099F-P0610-S06	06	06	78.4	GT3099F-P2410-S12	24	12	174.6
GT3099F-P0810-S04	08	04	78.4	GT3099F-P3610	36	0	174.6
GT3099F-P1010-S02	10	02	78.4	GT3099F-S48	0	48	220.2
GT3099F-P1210	12	0	78.4	GT3099F-P0610-S42	06	42	220.2
GT3099F-S18	0	18	101.2	GT3099F-P1210-S36	12	36	220.2
GT3099F-P0210-S16	02	16	101.2	GT3099F-P1810-S30	18	30	220.2
GT3099F-P0410-S14	04	14	101.2	GT3099F-P2410-S24	24	24	220.2
GT3099F-P0610-S12	06	12	101.2	GT3099F-S60	0	60	270.8
GT3099F-P0810-S10	08	10	101.2	GT3099F-P0610-S54	06	54	270.8
GT3099F-P1010-S08	10	08	101.2	GT3099F-P1210-S48	12	48	270.8
GT3099F-P1210-S06	12	06	101.2	GT3099F-P0810-S42	18	42	270.8
GT3099F-P1410-S04	14	04	101.2	GT3099F-P2410-S36	24	36	270.8
GT3099F-P1610-S02	16	02	101.2	GT3099F-S72	0	72	316.4
GT3099F-S24	0	24	124	GT3099F-P0610-S66	06	66	316.4
GT3099F-P1610-S18	06	18	124	GT3099F-P1210-S60	12	60	316.4
GT3099F-P1210-S12	12	12	124	GT3099F-P2410-S48	24	48	316.4
GT3099F-P0810-S06	18	06	124	GT3099F-P3610-S36	36	36	316.4
GT3099F-P2410	24	0	124	GT3099F-S84	0	84	365
GT3099F-S30	0	30	151.8	GT3099F-P1210-S72	12	72	365

GT3099F-P0610-S20	06	24	151.8	GT3099F-P2410-S60	24	60	365
GT3099F-P1210-S18	12	18	151.8	GT3099F-S96	0	96	410.6

Note: N channels 10A rings parallel can be used as 1 channel N\*10A current. For example: 2 rings 10A parallel could be used as 1 wires 20A.  
10A,5A (signal) can combine freely in any way.It can be customized based on standard slip ring,please contact customer service for more detmails.

## Specifications

Electrical Data		
Parameter	Value	
	Power	Signal
Rated Voltage	0~690VAC/VDC	0~440VAC/VDC
Insulation Resistance	≥1000MΩ/1000VDC	≥1000MΩ/500VDC
Lead Wires	AWG16#Teflon	AWG22#Teflon
Lead Length	standard 300mm(adjustable)	
Insulation Strength	500VAC@50Hz , 60s	
Electrical Noise	<0.03Ω	
Mechanical Data		
Parameter	Value	
Working Life	See Product Quality Level Table	
Rotating Speed	See Product Quality Level Table	
Working Temperature	-30°C~80°C	
Operating Humidity	0~85% RH	
Contact Material	Precious Metal	
Housing Material	Aluminium Alloy	
Protection Grade	IP51	

## Lead Wires Color Code

Ring	1	2	3	4	5	6	7	8	9	10	11	12
Color	BLK	RED	YLW	GRN	BLU	WHT	BLK	RED	YLW	GRN	BLU	WHT

(6 wires for 1 group color, from 7-12, repeat the same color as 1...6, indicated with number code pipe)

## Options for custom slip ring

Note: Below special demands can be customized. According, the delivery date will be extended 3 to 15 days; also the cost will be increased 30% to 50%. Most of our basic parts are standard and modular, which can save the cost and lead time.

- ① Cable exit way and cable length can be customized for both rotor and stator.
- ② Because of the structure limitation, length/height/OD can be customized on your request.
- ③ Support current or signal up to 200 rings.
- ④ Aviation plug, terminal and heat-shrink tube are optional.
- ⑤ Hybrid slip ring for Yaskawa/Panasonic/Siemens servo control signal, power line and encoder line.
- ⑥ Support mixed high speed data transmission (including Ethernet, USB, RS232, RS485, Profibus, CanBUS, CANOPEN, DeviceNET, CC-LINK, ProfiNET, EtherCAT, etc.)
- ⑦ Can combine temperature control signal with thermocouple signal.
- ⑧ Special environment can be customized, such as quakeproof, high temperature, etc.
- ⑨ Hybrid Pneumatic/hydraulic and electric slip ring can be mixed.
- ⑩ High temperature can up to 500 degrees.
- ⑪ High pressure can up to 110KV
- ⑫ Rotating speed can up to 10000RPM
- ⑬ Maximum current can up to 5000 amperes.
- ⑭ Military grade
- ⑮ Optional for underwater IP65, IP68.
- ⑯ Optional for stainless steel housing

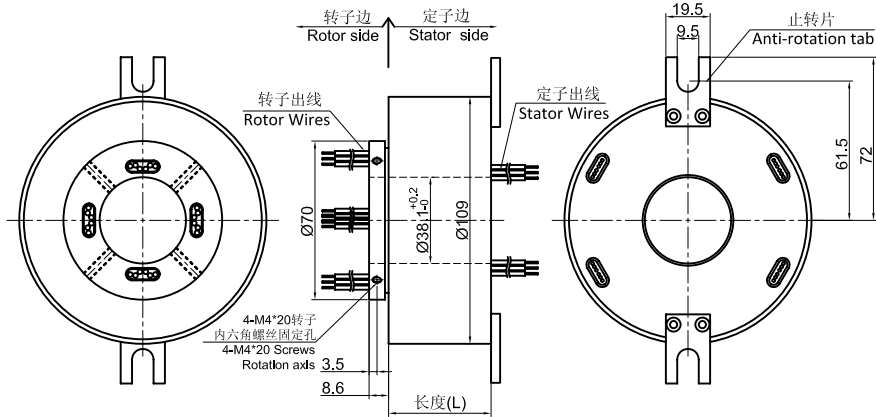
Technical support: technical@moflon.com



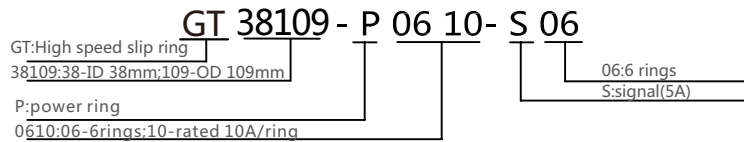
# GT38109Series

Standard series of integral precision conductive slip rings with outer diameter of 109mm and through hole diameter of 38mm (applicable to  $\leq 38\text{mm}$ ).

\*Note: if the inner hole of  $< 38\text{mm}$  is needed, it can be solved by adding inner sleeve.



## Part# Explanation



## Part# List

Gt38109Series Parts# List							
Part#	10A	Signal/5A	Length-L (mm)	Part#	10A	Signal/5A	Length-L (mm)
GT38109-S06	0	06	58.6	GT38109-P1810-S12	18	12	154.8
GT38109-P0210-S04	02	04	58.6	GT38109-P2410-S06	24	06	154.8
GT38109-P0410-S02	04	02	58.6	GT38109-P3010	30	0	154.8
GT38109-P0610	06	0	58.6	GT38109-S36	0	36	177.6
GT38109-S12	0	12	81.4	GT38109-P0610-S30	06	30	177.6
GT38109-P0210-S10	02	10	81.4	GT38109-P1210-S24	12	24	177.6
GT38109-P0410-S08	04	08	81.4	GT38109-P1810-S18	18	18	177.6
GT38109-P0610-S06	06	06	81.4	GT38109-P2410-S12	24	12	177.6
GT38109-P0810-S04	08	04	81.4	GT38109-P3610	36	0	177.6
GT38109-P1010-S02	10	02	81.4	GT38109-S48	0	48	223.2
GT38109-P1210	12	0	81.4	GT38109-P0610-S42	06	42	223.2
GT38109-S18	0	18	104.2	GT38109-P1210-S36	12	36	223.2
GT38109-P0210-S16	02	16	104.2	GT38109-P1810-S30	18	30	223.2
GT38109-P0410-S14	04	14	104.2	GT38109-P2410-S24	24	24	223.2
GT38109-P0610-S12	06	12	104.2	GT38109-S60	0	60	273.8
GT38109-P0810-S10	08	10	104.2	GT38109-P0610-S54	06	54	273.8
GT38109-P1010-S08	10	08	104.2	GT38109-P1210-S48	12	48	273.8
GT38109-P1210-S06	12	06	104.2	GT38109-P1810-S42	18	42	273.8
GT38109-P1410-S04	14	04	104.2	GT38109-P2410-S36	24	36	273.8
GT38109-P1610-S02	16	02	104.2	GT38109-S72	0	72	319.4
GT38109-S24	0	24	127	GT38109-P0610-S66	06	66	319.4
GT38109-P1610-S18	06	18	127	GT38109-P1210-S60	12	60	319.4
GT38109-P1210-S12	12	12	127	GT38109-P2410-S48	24	48	319.4
GT38109-P0810-S06	18	06	127	GT38109-P3610-S36	36	36	319.4
GT38109-P2410	24	0	127	GT38109-S84	0	84	368
GT38109-S30	0	30	154.8	GT38109-P1210-S72	12	72	368

GT38109-P0610-S24	06	24	154.8	GT38109-P2410-S60	24	60	368
GT38109-P1210-S18	12	18	154.8	GT38109-S96	0	96	413.6

Note: N channels 10A rings parallel can be used as 1 channel N\*10A current. For example: 2 rings 10A parallel could be used as 1 wires 20A.  
10A,5A (signal) can combine freely in any way.It can be customized based on standard slip ring,please contact customer service for more detmails.

## Specifications

Electrical Data		
Parameter	Value	
	Power	Signal
Rated Voltage	0~690VAC/VDC	0~440VAC/VDC
Insulation Resistance	≥1000MΩ/1000VDC	≥1000MΩ/500VDC
Lead Wires	AWG16#Teflon	AWG22#Teflon
Lead Length	standard 300mm(adjustable)	
Insulation Strength	500VAC@50Hz , 60s	
Electrical Noise	<0.03Ω	
Mechanical Data		
Parameter	Value	
Working Life	See Product Quality Level Table	
Rotating Speed	See Product Quality Level Table	
Working Temperature	-30°C~80°C	
Operating Humidity	0~85% RH	
Contact Material	Precious Metal	
Housing Material	Aluminium Alloy	
Protection Grade	IP51	

## Lead Wires Color Code

Ring	1	2	3	4	5	6	7	8	9	10	11	12
Color	BLK	RED	YLW	GRN	BLU	WHT	BLK	RED	YLW	GRN	BLU	WHT

(6 wires for 1 group color, from 7-12, repeat the same color as 1...6, indicated with number code pipe)

## Options for custom slip ring

Note: Below special demands can be customized. According, the delivery date will be extended 3 to 15 days; also the cost will be increased 30% to 50%. Most of our basic parts are standard and modular, which can save the cost and lead time.

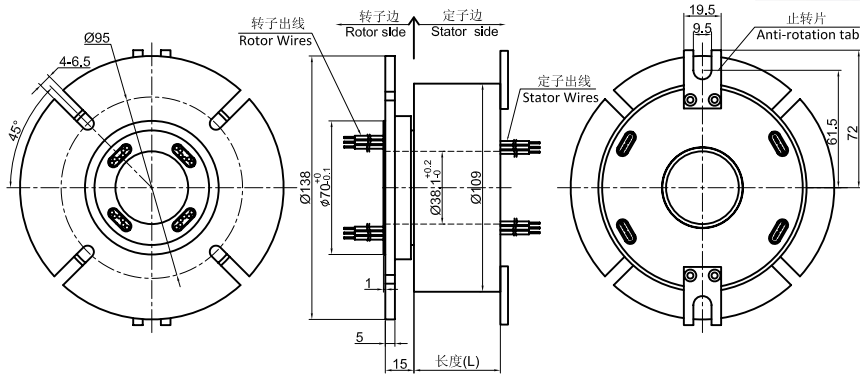
- ① Cable exit way and cable length can be customized for both rotor and stator.
- ② Because of the structure limitation, length/height/OD can be customized on your request.
- ③ Support current or signal up to 200 rings.
- ④ Aviation plug, terminal and heat-shrink tube are optional.
- ⑤ Hybrid slip ring for Yaskawa/Panasonic/Siemens servo control signal, power line and encoder line.
- ⑥ Support mixed high speed data transmission (including Ethernet, USB, RS232, RS485, Profibus, CanBUS, CANOPEN, DeviceNET, CC-LINK, ProfiNET, EtherCAT, etc.)
- ⑦ Can combine temperature control signal with thermocouple signal.
- ⑧ Special environment can be customized, such as quakeproof, high temperature, etc.
- ⑨ Hybrid Pneumatic/hydraulic and electric slip ring can be mixed.
- ⑩ High temperature can up to 500 degrees.
- ⑪ High pressure can up to 110KV
- ⑫ Rotating speed can up to 10000RPM
- ⑬ Maximum current can up to 5000 amperes.
- ⑭ Military grade
- ⑮ Optional for underwater IP65, IP68.
- ⑯ Optional for stainless steel housing

Technical support: technical@moflon.com

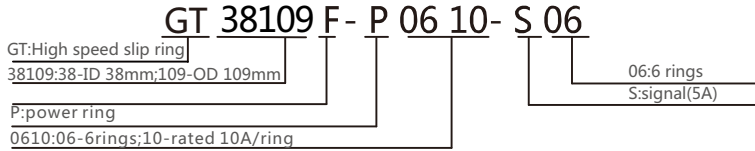
# GT38109F Series

Standard series of integral precision conductive slip rings with outer diameter of 109mm and through hole diameter of 38mm (applicable to  $\leq 38\text{mm}$ ).

\*Note: if the inner hole of  $< 38\text{mm}$  is needed, it can be solved by adding inner sleeve.



## Part# Explanation



## Part# List

GT38109F Series Parts# List							
Part#	10A	Signal/5A	Length-L (mm)	Part#	10A	Signal/5A	Length-L (mm)
GT38109F-S06	0	06	58.6	GT38109F-P1810-S12	18	12	154.8
GT38109F-P0210-S04	02	04	58.6	GT38109F-P2410-S06	24	06	154.8
GT38109F-P0410-S02	04	02	58.6	GT38109F-P3010	30	0	154.8
GT38109F-P0610	06	0	58.6	GT38109F-S36	0	36	177.6
GT38109F-S12	0	12	81.4	GT38109F-P0610-S30	06	30	177.6
GT38109F-P0210-S10	02	10	81.4	GT38109F-P1210-S24	12	24	177.6
GT38109F-P0410-S08	04	08	81.4	GT38109F-P1810-S18	18	18	177.6
GT38109F-P0610-S06	06	06	81.4	GT38109F-P2410-S12	24	12	177.6
GT38109F-P0810-S04	08	04	81.4	GT38109F-P3610	36	0	177.6
GT38109F-P1010-S02	10	02	81.4	GT38109F-S48	0	48	223.2
GT38109F-P1210	12	0	81.4	GT38109F-P0610-S42	06	42	223.2
GT38109F-S18	0	18	104.2	GT38109F-P1210-S36	12	36	223.2
GT38109F-P0210-S16	02	16	104.2	GT38109F-P1810-S30	18	30	223.2
GT38109F-P0410-S14	04	14	104.2	GT38109F-P2410-S24	24	24	223.2
GT38109F-P0610-S12	06	12	104.2	GT38109F-S60	0	60	273.8
GT38109F-P0810-S10	08	10	104.2	GT38109F-P0610-S54	06	54	273.8
GT38109F-P1010-S08	10	08	104.2	GT38109F-P1210-S48	12	48	273.8
GT38109F-P1210-S06	12	06	104.2	GT38109F-P1810-S42	18	42	273.8
GT38109F-P1410-S04	14	04	104.2	GT38109F-P2410-S36	24	36	273.8
GT38109F-P1610-S02	16	02	104.2	GT38109F-S72	0	72	319.4
GT38109F--S24	0	24	127	GT38109F-P0610-S66	06	66	319.4
GT38109F-P1610-S18	06	18	127	GT38109F-P1210-S60	12	60	319.4
GT38109F-P1210-S12	12	12	127	GT38109F-P2410-S48	24	48	319.4
GT38109F-P0810-S06	18	06	127	GT38109F-P3610-S36	36	36	319.4
GT38109F-P2410	24	0	127	GT38109F-S84	0	84	368
GT38109F-S30	0	30	154.8	GT38109F-P1210-S72	12	72	368

GT38109F-P0610-S24	06	24	154.8	GT38109FF-P2410-S60	24	60	368
GT38109F-P1210-S18	12	18	154.8	GT38109FF-S96	0	96	413.6

Note: N channels 10A rings parallel can be used as 1 channel N\*10A current. For example: 2 rings 10A parallel could be used as 1 wires 20A.  
10A,5A (signal) can combine freely in any way.It can be customized based on standard slip ring,please contact customer service for more detmails.

## Specifications

Electrical Data		
Parameter	Value	
	Power	Signal
Rated Voltage	0~690VAC/VDC	0~440VAC/VDC
Insulation Resistance	≥1000MΩ/500VDC	≥1000MΩ/500VDC
Lead Wires	AWG16#Teflon	AWG22#Teflon
Lead Length	standard 300mm(adjustable)	
Insulation Strength	500VAC@50Hz , 60s	
Electrical Noise	<0.03Ω	
Mechanical Data		
Parameter	Value	
Working Life	See Product Quality Level Table	
Rotating Speed	See Product Quality Level Table	
Working Temperature	-30°C~80°C	
Operating Humidity	0~85% RH	
Contact Material	Precious Metal	
Housing Material	Aluminium Alloy	
Protection Grade	IP51	

## Lead Wires Color Code

Ring	1	2	3	4	5	6	7	8	9	10	11	12
Color	BLK	RED	YLW	GRN	BLU	WHT	BLK	RED	YLW	GRN	BLU	WHT

(6 wires for 1 group color, from 7-12, repeat the same color as 1...6, indicated with number code pipe)

## Options for custom slip ring

Note: Below special demands can be customized. According, the delivery date will be extended 3 to 15 days; also the cost will be increased 30% to 50%. Most of our basic parts are standard and modular, which can save the cost and lead time.

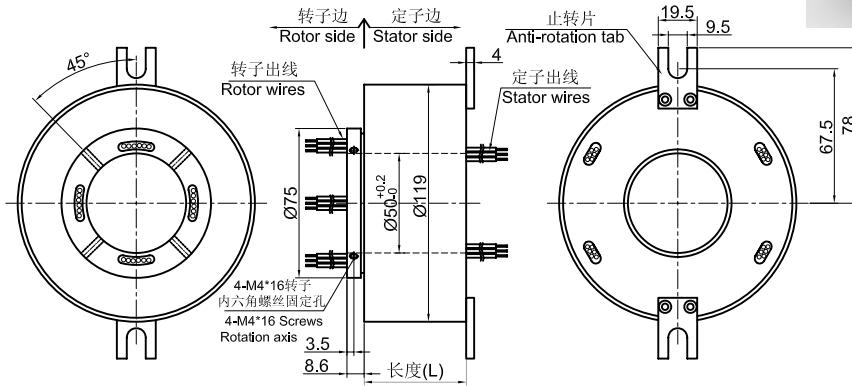
- ① Cable exit way and cable length can be customized for both rotor and stator.
- ② Because of the structure limitation, length/height/OD can be customized on your request.
- ③ Support current or signal up to 200 rings.
- ④ Aviation plug, terminal and heat-shrink tube are optional.
- ⑤ Hybrid slip ring for Yaskawa/Panasonic/Siemens servo control signal, power line and encoder line.
- ⑥ Support mixed high speed data transmission (including Ethernet, USB, RS232, RS485, Profibus, CanBUS, CANOPEN, DeviceNET, CC-LINK, ProfiNET, EtherCAT, etc.)
- ⑦ Can combine temperature control signal with thermocouple signal.
- ⑧ Special environment can be customized, such as quakeproof, high temperature, etc.
- ⑨ Hybrid Pneumatic/hydraulic and electric slip ring can be mixed.
- ⑩ High temperature can up to 500 degrees.
- ⑪ High pressure can up to 110KV
- ⑫ Rotating speed can up to 10000RPM
- ⑬ Maximum current can up to 5000 amperes.
- ⑭ Military grade
- ⑮ Optional for underwater IP65, IP68.
- ⑯ Optional for stainless steel housing

Technical support: technical@moflon.com

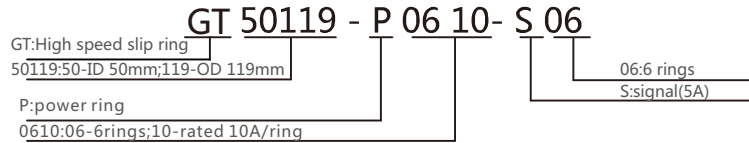
# GT50119Series

Standard series of integral precision conductive slip rings with outer diameter of 119mm and through hole diameter of 50mm (applicable to  $\leq 50\text{mm}$ ).

\*Note: if the inner hole of  $< 50\text{mm}$  is needed, it can be solved by adding inner sleeve.



## Part# Explanation



## Part# List

Gt50119 Series Parts# List							
Part#	10A	Signal/5A	Length-L (mm)	Part#	10A	Signal/5A	Length-L (mm)
GT50119-S06	0	06	58.6	GT50119-P1810-S12	18	12	154.8
GT50119-P0210-S04	02	04	58.6	GT50119-P2410-S06	24	06	154.8
GT50119-P0410-S02	04	02	58.6	GT50119-P3010	30	0	154.8
GT50119-P0610	06	0	58.6	GT50119-S36	0	36	177.6
GT50119-S12	0	12	81.4	GT50119-P0610-S30	06	30	177.6
GT50119-P0210-S10	02	10	81.4	GT50119-P1210-S24	12	24	177.6
GT50119-P0410-S08	04	08	81.4	GT50119-P1810-S18	18	18	177.6
GT50119-P0610-S06	06	06	81.4	GT50119-P2410-S12	24	12	177.6
GT50119-P0810-S04	08	04	81.4	GT50119-P3610	36	0	177.6
GT50119-P1010-S02	10	02	81.4	GT50119-S48	0	48	223.2
GT50119-P1210	12	0	81.4	GT50119-P0610-S42	06	42	223.2
GT50119-S18	0	18	104.2	GT50119-P1210-S36	12	36	223.2
GT50119-P0210-S16	02	16	104.2	GT50119-P1810-S30	18	30	223.2
GT50119-P0410-S14	04	14	104.2	GT50119-P2410-S24	24	24	223.2
GT50119-P0610-S12	06	12	104.2	GT50119-S60	0	60	273.8
GT50119-P0810-S10	08	10	104.2	GT50119-P0610-S54	06	54	273.8
GT50119-P1010-S08	10	08	104.2	GT50119-P1210-S48	12	48	273.8
GT50119-P1210-S06	12	06	104.2	GT50119-P1810-S42	18	42	273.8
GT50119-P1410-S04	14	04	104.2	GT50119-P2410-S36	24	36	273.8
GT50119-P1610-S02	16	02	104.2	GT50119-S72	0	72	319.4
GT50119-S24	0	24	127	GT50119-P0610-S66	06	66	319.4
GT50119-P1610-S18	06	18	127	GT50119-P1210-S60	12	60	319.4
GT50119-P1210-S12	12	12	127	GT50119-P2410-S48	24	48	319.4
GT50119-P0810-S06	18	06	127	GT50119-P3610-S36	36	36	319.4
GT50119-P2410	24	0	127	GT50119-S84	0	84	368
GT50119-S30	0	30	154.8	GT50119-P1210-S72	12	72	368

GT50119-P0610-S24	06	24	154.8	GT50119F-P2410-S60	24	60	368
GT50119-P1210-S18	12	18	154.8	GT50119F-S96	0	96	413.6

Note: N channels 10A rings parallel can be used as 1 channel N\*10A current. For example: 2 rings 10A parallel could be used as 1 wires 20A.  
10A,5A (signal) can combine freely in any way.It can be customized based on standard slip ring,please contact customer service for more detmails.

## Specifications

Electrical Data		
Parameter	Value	
	Power	Signal
Rated Voltage	0~690VAC/VDC	0~440VAC/VDC
Insulation Resistance	≥1000MΩ/1000VDC	≥1000MΩ/500VDC
Lead Wires	AWG16#Teflon	AWG22#Teflon
Lead Length	standard 300mm(adjustable)	
Insulation Strength	500VAC@50Hz , 60s	
Electrical Noise	<0.03Ω	
Mechanical Data		
Parameter	Value	
Working Life	See Product Quality Level Table	
Rotating Speed	See Product Quality Level Table	
Working Temperature	-30°C~80°C	
Operating Humidity	0~85% RH	
Contact Material	Precious Metal	
Housing Material	Aluminium Alloy	
Protection Grade	IP51	

## Lead Wires Color Code

Ring	1	2	3	4	5	6	7	8	9	10	11	12
Color	BLK	RED	YLW	GRN	BLU	WHT	BLK	RED	YLW	GRN	BLU	WHT

(6 wires for 1 group color, from 7-12, repeat the same color as 1...6, indicated with number code pipe)

## Options for custom slip ring

Note: Below special demands can be customized. According, the delivery date will be extended 3 to 15 days; also the cost will be increased 30% to 50%. Most of our basic parts are standard and modular, which can save the cost and lead time.

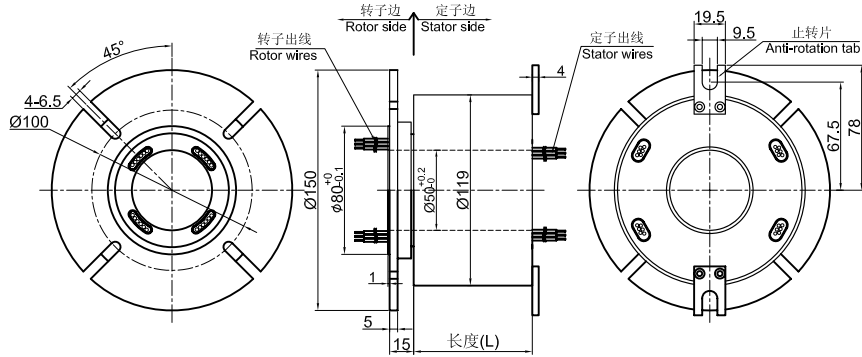
- ① Cable exit way and cable length can be customized for both rotor and stator.
- ② Because of the structure limitation, length/height/OD can be customized on your request.
- ③ Support current or signal up to 200 rings.
- ④ Aviation plug, terminal and heat-shrink tube are optional.
- ⑤ Hybrid slip ring for Yaskawa/Panasonic/Siemens servo control signal, power line and encoder line.
- ⑥ Support mixed high speed data transmission (including Ethernet, USB, RS232, RS485, Profibus, CanBUS, CANOPEN, DeviceNET, CC-LINK, ProfiNET, EtherCAT, etc.)
- ⑦ Can combine temperature control signal with thermocouple signal.
- ⑧ Special environment can be customized, such as quakeproof, high temperature, etc.
- ⑨ Hybrid Pneumatic/hydraulic and electric slip ring can be mixed.
- ⑩ High temperature can up to 500 degrees.
- ⑪ High pressure can up to 110KV
- ⑫ Rotating speed can up to 10000RPM
- ⑬ Maximum current can up to 5000 amperes.
- ⑭ Military grade
- ⑮ Optional for underwater IP65, IP68.
- ⑯ Optional for stainless steel housing

Technical support: [technical@moflon.com](mailto:technical@moflon.com)

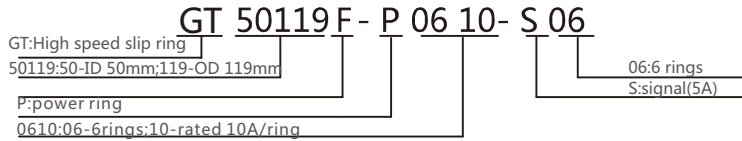
# GT50119F Series

Standard series of integral precision conductive slip rings with outer diameter of 119mm and through hole diameter of 50mm (applicable to  $\leq 50\text{mm}$ ).

\*Note: if the inner hole of  $< 50\text{mm}$  is needed, it can be solved by adding inner sleeve.



## Part# Explanation



## Part# List

GT50119F Series Parts# List							
Part#	10A	Signal/5A	Length-L (mm)	Part#	10A	Signal/5A	Length-L (mm)
GT50119F-S06	0	06	58.6	GT50119F-P1810-S12	18	12	154.8
GT50119F-P0210-S04	02	04	58.6	GT50119F-P2410-S06	24	06	154.8
GT50119F-P0410-S02	04	02	58.6	GT50119F-P3010	30	0	154.8
GT50119F-P0610	06	0	58.6	GT50119F-S36	0	36	177.6
GT50119F-S12	0	12	81.4	GT50119F-P0610-S30	06	30	177.6
GT50119F-P0210-S10	02	10	81.4	GT50119F-P1210-S24	12	24	177.6
GT50119F-P0410-S08	04	08	81.4	GT50119F-P1810-S18	18	18	177.6
GT50119F-P0610-S06	06	06	81.4	GT50119F-P2410-S12	24	12	177.6
GT50119F-P0810-S04	08	04	81.4	GT50119F-P3610	36	0	177.6
GT50119F-P1010-S02	10	02	81.4	GT50119F-S48	0	48	223.2
GT50119F-P1210	12	0	81.4	GT50119F-P0610-S42	06	42	223.2
GT50119F-S18	0	18	104.2	GT50119F-P1210-S36	12	36	223.2
GT50119F-P0210-S16	02	16	104.2	GT50119F-P1810-S30	18	30	223.2
GT50119F-P0410-S14	04	14	104.2	GT50119F-P2410-S24	24	24	223.2
GT50119F-P0610-S12	06	12	104.2	GT50119F-S60	0	60	273.8
GT50119F-P0810-S10	08	10	104.2	GT50119F-P0610-S54	06	54	273.8
GT50119F-P1010-S08	10	08	104.2	GT50119F-P1210-S48	12	48	273.8
GT50119F-P1210-S06	12	06	104.2	GT50119F-P1810-S42	18	42	273.8
GT50119F-P1410-S04	14	04	104.2	GT50119F-P2410-S36	24	36	273.8
GT50119F-P1610-S02	16	02	104.2	GT50119F-S72	0	72	319.4
GT50119F--S24	0	24	127	GT50119F-P0610-S66	06	66	319.4
GT50119F-P1610-S18	06	18	127	GT50119F-P1210-S60	12	60	319.4
GT50119F-P1210-S12	12	12	127	GT50119F-P2410-S48	24	48	319.4
GT50119F-P0810-S06	18	06	127	GT50119F-P3610-S36	36	36	319.4
GT50119F-P2410	24	0	127	GT50119F-S84	0	84	368
GT50119F-S30	0	30	154.8	GT50119F-P1210-S72	12	72	368

GT50119F-P0610-S24	06	24	154.8	GT50119FF-P2410-S60	24	60	368
GT50119F-P1210-S18	12	18	154.8	GT50119FF-S96	0	96	413.6

Note: N channels 10A rings parallel can be used as 1 channel N\*10A current. For example: 2 rings 10A parallel could be used as 1 wires 20A.  
10A,5A (signal) can combine freely in any way.It can be customized based on standard slip ring,please contact customer service for more detmails.

## Specifications

Electrical Data		
Parameter	Value	
	Power	Signal
Rated Voltage	0~690VAC/VDC	0~440VAC/VDC
Insulation Resistance	≥1000MΩ/1000VDC	≥1000MΩ/500VDC
Lead Wires	AWG16#Teflon	AWG22#Teflon
Lead Length	standard 300mm(adjustable)	
Insulation Strength	500VAC@50Hz , 60s	
Electrical Noise	<0.03Ω	
Mechanical Data		
Parameter	Value	
Working Life	See Product Quality Level Table	
Rotating Speed	See Product Quality Level Table	
Working Temperature	-30°C~80°C	
Operating Humidity	0~85% RH	
Contact Material	Precious Metal	
Housing Material	Aluminium Alloy	
Protection Grade	IP51	

## Lead Wires Color Code

Ring	1	2	3	4	5	6	7	8	9	10	11	12
Color	BLK	RED	YLW	GRN	BLU	WHT	BLK	RED	YLW	GRN	BLU	WHT

(6 wires for 1 group color, from 7-12, repeat the same color as 1...6, indicated with number code pipe)

## Options for custom slip ring

Note: Below special demands can be customized. According, the delivery date will be extended 3 to 15 days; also the cost will be increased 30% to 50%. Most of our basic parts are standard and modular, which can save the cost and lead time.

- ① Cable exit way and cable length can be customized for both rotor and stator.
- ② Because of the structure limitation, length/height/OD can be customized on your request.
- ③ Support current or signal up to 200 rings.
- ④ Aviation plug, terminal and heat-shrink tube are optional.
- ⑤ Hybrid slip ring for Yaskawa/Panasonic/Siemens servo control signal, power line and encoder line.
- ⑥ Support mixed high speed data transmission (including Ethernet, USB, RS232, RS485, Profibus, CanBUS, CANOPEN, DeviceNET, CC-LINK, ProfiNET, EtherCAT, etc.)
- ⑦ Can combine temperature control signal with thermocouple signal.
- ⑧ Special environment can be customized, such as quakeproof, high temperature, etc.
- ⑨ Hybrid Pneumatic/hydraulic and electric slip ring can be mixed.
- ⑩ High temperature can up to 500 degrees.
- ⑪ High pressure can up to 110KV
- ⑫ Rotating speed can up to 10000RPM
- ⑬ Maximum current can up to 5000 amperes.
- ⑭ Military grade
- ⑮ Optional for underwater IP65, IP68.
- ⑯ Optional for stainless steel housing

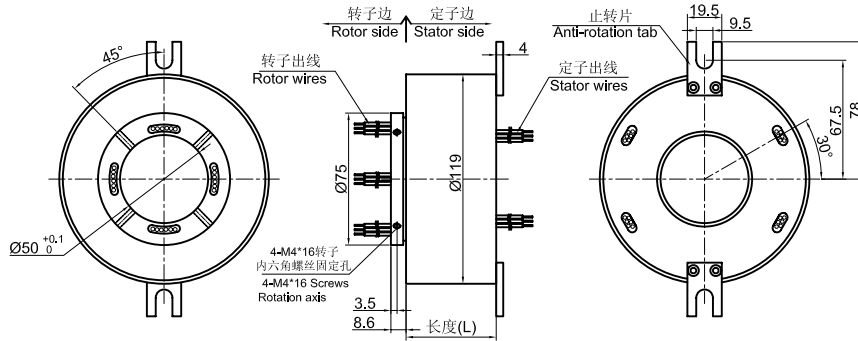
Technical support: [technical@moflon.com](mailto:technical@moflon.com)



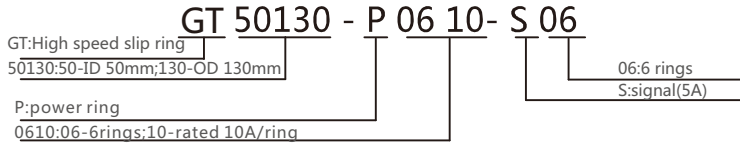
# GT50130Series

Standard series of integral precision conductive slip rings with outer diameter of 130mm and through hole diameter of 50mm (applicable to  $\leq 50$ mm).

\*Note: if the inner hole of  $< 50$ mm is needed, it can be solved by adding inner sleeve.



## Part# Explanation



## Part# List

Gt50130Series Parts# List							
Part#	10A	Signal/5A	Length-L (mm)	Part#	10A	Signal/5A	Length-L (mm)
GT50130-S06	0	06	59.6	GT50130-P1810-S12	18	12	155.8
GT50130-P0210-S04	02	04	59.6	GT50130-P2410-S06	24	06	155.8
GT50130-P0410-S02	04	02	59.6	GT50130-P3010	30	0	155.8
GT50130-P0610	06	0	59.6	GT50130-S36	0	36	178.6
GT50130-S12	0	12	82.4	GT50130-P0610-S30	06	30	178.6
GT50130-P0210-S10	02	10	82.4	GT50130-P1210-S24	12	24	178.6
GT50130-P0410-S08	04	08	82.4	GT50130-P1810-S18	18	18	178.6
GT50130-P0610-S06	06	06	82.4	GT50130-P2410-S12	24	12	178.6
GT50130-P0810-S04	08	04	82.4	GT50130-P3610	36	0	178.6
GT50130-P1010-S02	10	02	82.4	GT50130-S48	0	48	224.2
GT50130-P1210	12	0	82.4	GT50130-P0610-S42	06	42	224.2
GT50130-S18	0	18	105.2	GT50130-P1210-S36	12	36	224.2
GT50130-P0210-S16	02	16	105.2	GT50130-P1810-S30	18	30	224.2
GT50130-P0410-S14	04	14	105.2	GT50130-P2410-S24	24	24	224.2
GT50130-P0610-S12	06	12	105.2	GT50130-S60	0	60	274.8
GT50130-P0810-S10	08	10	105.2	GT50130-P0610-S54	06	54	274.8
GT50130-P1010-S08	10	08	105.2	GT50130-P1210-S48	12	48	274.8
GT50130-P1210-S06	12	06	105.2	GT50130-P1810-S42	18	42	274.8
GT50130-P1410-S04	14	04	105.2	GT50130-P2410-S36	24	36	274.8
GT50130-P1610-S02	16	02	105.2	GT50130-S72	0	72	320.4
GT50130--S24	0	24	128	GT50130-P0610-S66	06	66	320.4
GT50130-P1610-S18	06	18	128	GT50130-P1210-S60	12	60	320.4
GT50130-P1210-S12	12	12	128	GT50130-P2410-S48	24	48	320.4
GT50130-P0810-S06	18	06	128	GT50130-P3610-S36	36	36	320.4
GT50130-P2410	24	0	128	GT50130-S84	0	84	369
GT50130-S30	0	30	155.8	GT50130-P1210-S72	12	72	369

GT50130-P0610-S24	06	24	155.8	GT50130F-P2410-S60	24	60	369
GT50130-P1210-S18	12	18	155.8	GT50130F-S96	0	96	414.6

Note: N channels 10A rings parallel can be used as 1 channel N\*10A current. For example: 2 rings 10A parallel could be used as 1 wires 20A.  
10A,5A (signal) can combine freely in any way.It can be customized based on standard slip ring,please contact customer service for more detmails.

## Specifications

Electrical Data		
Parameter	Value	
	Power	Signal
Rated Voltage	0~690VAC/VDC	0~440VAC/VDC
Insulation Resistance	≥1000MΩ/1000VDC	≥1000MΩ/500VDC
Lead Wires	AWG16#Teflon	AWG22#Teflon
Lead Length	standard 300mm(adjustable)	
Insulation Strength	500VAC@50Hz , 60s	
Electrical Noise	<0.03Ω	
Mechanical Data		
Parameter	Value	
Working Life	See Product Quality Level Table	
Rotating Speed	See Product Quality Level Table	
Working Temperature	-30°C~80°C	
Operating Humidity	0~85% RH	
Contact Material	Precious Metal	
Housing Material	Aluminium Alloy	
Protection Grade	IP51	

## Lead Wires Color Code

Ring	1	2	3	4	5	6	7	8	9	10	11	12
Color	BLK	RED	YLW	GRN	BLU	WHT	BLK	RED	YLW	GRN	BLU	WHT

(6 wires for 1 group color, from 7-12, repeat the same color as 1...6, indicated with number code pipe)

## Options for custom slip ring

Note: Below special demands can be customized. According, the delivery date will be extended 3 to 15 days; also the cost will be increased 30% to 50%. Most of our basic parts are standard and modular, which can save the cost and lead time.

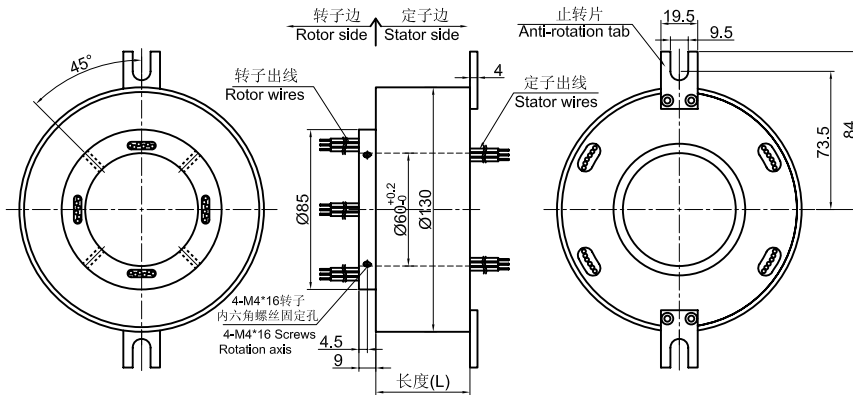
- ① Cable exit way and cable length can be customized for both rotor and stator.
- ② Because of the structure limitation, length/height/OD can be customized on your request.
- ③ Support current or signal up to 200 rings.
- ④ Aviation plug, terminal and heat-shrink tube are optional.
- ⑤ Hybrid slip ring for Yaskawa/Panasonic/Siemens servo control signal, power line and encoder line.
- ⑥ Support mixed high speed data transmission (including Ethernet, USB, RS232, RS485, Profibus, CanBUS, CANOPEN, DeviceNET, CC-LINK, ProfiNET, EtherCAT, etc.)
- ⑦ Can combine temperature control signal with thermocouple signal.
- ⑧ Special environment can be customized, such as quakeproof, high temperature, etc.
- ⑨ Hybrid Pneumatic/hydraulic and electric slip ring can be mixed.
- ⑩ High temperature can up to 500 degrees.
- ⑪ High pressure can up to 110KV
- ⑫ Rotating speed can up to 10000RPM
- ⑬ Maximum current can up to 5000 amperes.
- ⑭ Military grade
- ⑮ Optional for underwater IP65, IP68.
- ⑯ Optional for stainless steel housing

Technical support: technical@moflon.com

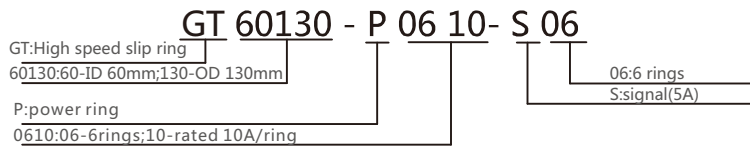
# GT60130Series

Standard series of integral precision conductive slip rings with outer diameter of 130mm and through hole diameter of 60mm (applicable to  $\leq 60$ mm).

\*Note: if the inner hole of  $< 60$ mm is needed, it can be solved by adding inner sleeve.



## Part# Explanation



## Part# List

Gt60130Series Parts# List							
Part#	10A	Signal/5A	Length-L (mm)	Part#	10A	Signal/5A	Length-L (mm)
GT60130-S06	0	06	59.6	GT60130-P1810-S12	18	12	155.8
GT60130-P0210-S04	02	04	59.6	GT60130-P2410-S06	24	06	155.8
GT60130-P0410-S02	04	02	59.6	GT60130-P3010	30	0	155.8
GT60130-P0610	06	0	59.6	GT60130-S36	0	36	178.6
GT60130-S12	0	12	82.4	GT60130-P0610-S30	06	30	178.6
GT60130-P0210-S10	02	10	82.4	GT60130-P1210-S24	12	24	178.6
GT60130-P0410-S08	04	08	82.4	GT60130-P1810-S18	18	18	178.6
GT60130-P0610-S06	06	06	82.4	GT60130-P2410-S12	24	12	178.6
GT60130-P0810-S04	08	04	82.4	GT60130-P3610	36	0	178.6
GT60130-P1010-S02	10	02	82.4	GT60130-S48	0	48	224.2
GT60130-P1210	12	0	82.4	GT60130-P0610-S42	06	42	224.2
GT60130-S18	0	18	105.2	GT60130-P1210-S36	12	36	224.2
GT60130-P0210-S16	02	16	105.2	GT60130-P1810-S30	18	30	224.2
GT60130-P0410-S14	04	14	105.2	GT60130-P2410-S24	24	24	224.2
GT60130-P0610-S12	06	12	105.2	GT60130-S60	0	60	274.8
GT60130-P0810-S10	08	10	105.2	GT60130-P0610-S54	06	54	274.8
GT60130-P1010-S08	10	08	105.2	GT60130-P1210-S48	12	48	274.8
GT60130-P1210-S06	12	06	105.2	GT60130-P1810-S42	18	42	274.8
GT60130-P1410-S04	14	04	105.2	GT60130-P2410-S36	24	36	274.8
GT60130-P1610-S02	16	02	105.2	GT60130-S72	0	72	320.4
GT60130-S24	0	24	128	GT60130-P0610-S66	06	66	320.4
GT60130-P1610-S18	06	18	128	GT60130-P1210-S60	12	60	320.4
GT60130-P1210-S12	12	12	128	GT60130-P2410-S48	24	48	320.4
GT60130-P0810-S06	18	06	128	GT60130-P3610-S36	36	36	320.4
GT60130-P2410	24	0	128	GT60130-S84	0	84	369
GT60130-S30	0	30	155.8	GT60130-P1210-S72	12	72	369

GT60130-P0610-S24	06	24	155.8	GT60130F-P2410-S60	24	60	369
GT60130-P1210-S18	12	18	155.8	GT60130F-S96	0	96	414.6

Note: N channels 10A rings parallel can be used as 1 channel N\*10A current. For example: 2 rings 10A parallel could be used as 1 wires 20A.  
10A,5A (signal) can combine freely in any way.It can be customized based on standard slip ring,please contact customer service for more detmails.

## Specifications

Electrical Data		
Parameter	Value	
	Power	Signal
Rated Voltage	0~690VAC/VDC	0~440VAC/VDC
Insulation Resistance	≥1000MΩ/1000VDC	≥1000MΩ/500VDC
Lead Wires	AWG16#Teflon	AWG22#Teflon
Lead Length	standard 300mm(adjustable)	
Insulation Strength	500VAC@50Hz , 60s	
Electrical Noise	<0.03Ω	
Mechanical Data		
Parameter	Value	
Working Life	See Product Quality Level Table	
Rotating Speed	See Product Quality Level Table	
Working Temperature	-30°C~80°C	
Operating Humidity	0~85% RH	
Contact Material	Precious Metal	
Housing Material	Aluminium Alloy	
Protection Grade	IP51	

## Lead Wires Color Code

Ring	1	2	3	4	5	6	7	8	9	10	11	12
Color	BLK	RED	YLW	GRN	BLU	WHT	BLK	RED	YLW	GRN	BLU	WHT

(6 wires for 1 group color, from 7-12, repeat the same color as 1...6, indicated with number code pipe)

## Options for custom slip ring

Note: Below special demands can be customized. According, the delivery date will be extended 3 to 15 days; also the cost will be increased 30% to 50%. Most of our basic parts are standard and modular, which can save the cost and lead time.

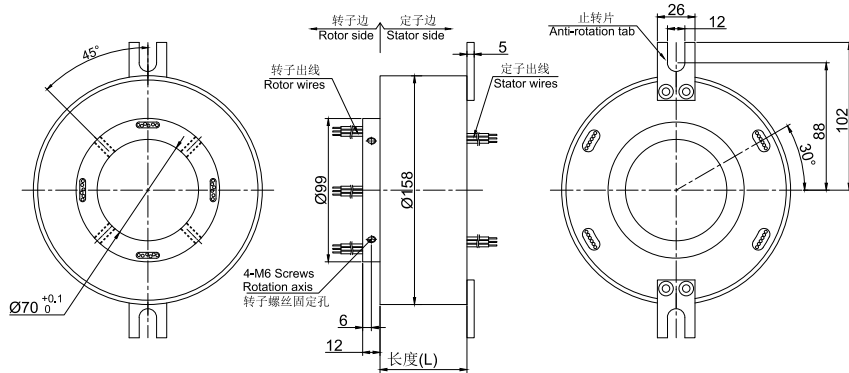
- ① Cable exit way and cable length can be customized for both rotor and stator.
- ② Because of the structure limitation, length/height/OD can be customized on your request.
- ③ Support current or signal up to 200 rings.
- ④ Aviation plug, terminal and heat-shrink tube are optional.
- ⑤ Hybrid slip ring for Yaskawa/Panasonic/Siemens servo control signal, power line and encoder line.
- ⑥ Support mixed high speed data transmission (including Ethernet, USB, RS232, RS485, Profibus, CanBUS, CANOPEN, DeviceNET, CC-LINK, ProfiNET, EtherCAT, etc.)
- ⑦ Can combine temperature control signal with thermocouple signal.
- ⑧ Special environment can be customized, such as quakeproof, high temperature, etc.
- ⑨ Hybrid Pneumatic/hydraulic and electric slip ring can be mixed.
- ⑩ High temperature can up to 500 degrees.
- ⑪ High pressure can up to 110KV
- ⑫ Rotating speed can up to 10000RPM
- ⑬ Maximum current can up to 5000 amperes.
- ⑭ Military grade
- ⑮ Optional for underwater IP65, IP68.
- ⑯ Optional for stainless steel housing

Technical support: technical@moflon.com

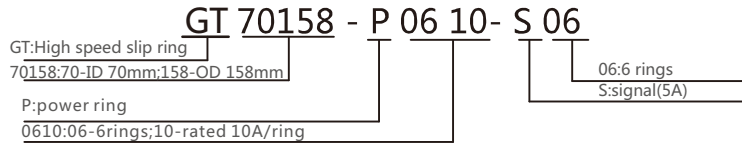
# GT70158series

Standard series of integral precision conductive slip rings with outer diameter of 158mm and through hole diameter of 70mm (applicable to  $\leq 70$ mm).

\*Note: if the inner hole of  $< 70$ mm is needed, it can be solved by adding inner sleeve.



## Part# Explanation



## Part# List

Gt80158Series Parts# List							
Part#	10A	Signal/5A	Length-L (mm)	Part#	10A	Signal/5A	Length-L (mm)
GT70158-S06	0	06	65.6	GT70158-P1810-S12	18	12	161.8
GT70158-P0210-S04	02	04	65.6	GT70158-P2410-S06	24	06	161.8
GT70158-P0410-S02	04	02	65.6	GT70158-P3010	30	0	161.8
GT70158-P0610	06	0	65.6	GT70158-S36	0	36	184.6
GT70158-S12	0	12	88.4	GT70158-P0610-S30	06	30	184.6
GT70158-P0210-S10	02	10	88.4	GT70158-P1210-S24	12	24	184.6
GT70158-P0410-S08	04	08	88.4	GT70158-P1810-S18	18	18	184.6
GT70158-P0610-S06	06	06	88.4	GT70158-P2410-S12	24	12	184.6
GT70158-P0810-S04	08	04	88.4	GT70158-P3610	36	0	184.6
GT70158-P1010-S02	10	02	88.4	GT70158-S48	0	48	230.2
GT70158-P1210	12	0	88.4	GT70158-P0610-S42	06	42	230.2
GT70158-S18	0	18	111.2	GT70158-P1210-S36	12	36	230.2
GT70158-P0210-S16	02	16	111.2	GT70158-P1810-S30	18	30	230.2
GT70158-P0410-S14	04	14	111.2	GT70158-P2410-S24	24	24	230.2
GT70158-P0610-S12	06	12	111.2	GT70158-S60	0	60	280.8
GT70158-P0810-S10	08	10	111.2	GT70158-P0610-S54	06	54	280.8
GT70158-P1010-S08	10	08	111.2	GT70158-P1210-S48	12	48	280.8
GT70158-P1210-S06	12	06	111.2	GT70158-P1810-S42	18	42	280.8
GT70158-P1410-S04	14	04	111.2	GT70158-P2410-S36	24	36	280.8
GT70158-P1610-S02	16	02	111.2	GT70158-S72	0	72	326.4
GT70158--S24	0	24	134	GT70158-P0610-S66	06	66	326.4
GT70158-P1610-S18	06	18	134	GT70158-P1210-S60	12	60	326.4
GT70158-P1210-S12	12	12	134	GT70158-P2410-S48	24	48	326.4
GT70158-P0810-S06	18	06	134	GT70158-P3610-S36	36	36	326.4
GT70158-P2410	24	0	134	GT70158-S84	0	84	375
GT70158-S30	0	30	161.8	GT70158-P1210-S72	12	72	375

Note: N channels 10A rings parallel can be used as 1 channel N\*10A current. For example: 2 rings 10A parallel could be used as 1 wires 20A.  
 10A,5A (signal) can combine freely in any way.It can be customized based on standard slip ring,please contact customer service for more details.

## Specifications

Electrical Data		
Parameter	Value	
	Power	Signal
Rated Voltage	0~690VAC/VDC	0~440VAC/VDC
Insulation Resistance	≥1000MΩ/500VDC	≥1000MΩ/500VDC
Lead Wires	AWG16#Teflon	AWG22#Teflon
Lead Length	standard 300mm(adjustable)	
Insulation Strength	500VAC@50Hz , 60s	
Electrical Noise	<0.03Ω	
Mechanical Data		
Parameter	Value	
Working Life	See Product Quality Level Table	
Rotating Speed	See Product Quality Level Table	
Working Temperature	-30°C~80°C	
Operating Humidity	0~85% RH	
Contact Material	Precious Metal	
Housing Material	Aluminium Alloy	
Protection Grade	IP51	

## Lead Wires Color Code

Ring	1	2	3	4	5	6	7	8	9	10	11	12
Color	BLK	RED	YLW	GRN	BLU	WHT	BLK	RED	YLW	GRN	BLU	WHT

(6 wires for 1 group color, from 7-12, repeat the same color as 1...6, indicated with number code pipe)

## Options for custom slip ring

Note: Below special demands can be customized. According, the delivery date will be extended 3 to 15 days; also the cost will be increased 30% to 50%. Most of our basic parts are standard and modular, which can save the cost and lead time.

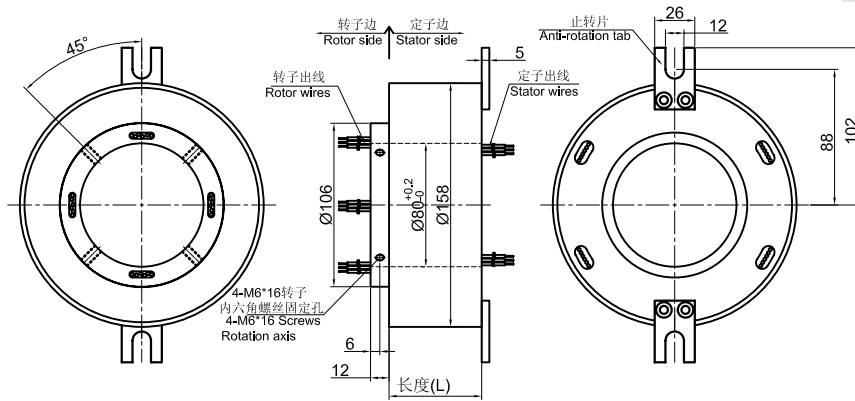
- ① Cable exit way and cable length can be customized for both rotor and stator.
- ② Because of the structure limitation, length/height/OD can be customized on your request.
- ③ Support current or signal up to 200 rings.
- ④ Aviation plug, terminal and heat-shrink tube are optional.
- ⑤ Hybrid slip ring for Yaskawa/Panasonic/Siemens servo control signal, power line and encoder line.
- ⑥ Support mixed high speed data transmission (including Ethernet, USB, RS232, RS485, Profibus, CanBUS, CANOPEN, DeviceNET, CC-LINK, ProfiNET, EtherCAT, etc.)
- ⑦ Can combine temperature control signal with thermocouple signal.
- ⑧ Special environment can be customized, such as quakeproof, high temperature, etc.
- ⑨ Hybrid Pneumatic/hydraulic and electric slip ring can be mixed.
- ⑩ High temperature can up to 500 degrees.
- ⑪ High pressure can up to 110KV
- ⑫ Rotating speed can up to 10000RPM
- ⑬ Maximum current can up to 5000 amperes.
- ⑭ Military grade
- ⑮ Optional for underwater IP65, IP68.
- ⑯ Optional for stainless steel housing

Technical support: [technical@moflon.com](mailto:technical@moflon.com)

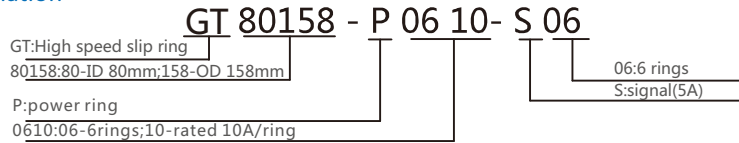
# GT80158series

Standard series of integral precision conductive slip rings with outer diameter of 158mm and through hole diameter of 80mm (applicable to  $\leq 80$ mm).

\*Note: if the inner hole of  $< 80$ mm is needed, it can be solved by adding inner sleeve.



## Part# Explanation



## Part# List

Gt80158Series Parts# List							
Part#	10A	Signal/5A	Length-L (mm)	Part#	10A	Signal/5A	Length-L (mm)
GT80158-S06	0	06	65.6	GT80158-P1810-S12	18	12	161.8
GT80158-P0210-S04	02	04	65.6	GT80158-P2410-S06	24	06	161.8
GT80158-P0410-S02	04	02	65.6	GT80158-P3010	30	0	161.8
GT80158-P0610	06	0	65.6	GT80158-S36	0	36	184.6
GT80158-S12	0	12	88.4	GT80158-P0610-S30	06	30	184.6
GT80158-P0210-S10	02	10	88.4	GT80158-P1210-S24	12	24	184.6
GT80158-P0410-S08	04	08	88.4	GT80158-P1810-S18	18	18	184.6
GT80158-P0610-S06	06	06	88.4	GT80158-P2410-S12	24	12	184.6
GT80158-P0810-S04	08	04	88.4	GT80158-P3610	36	0	184.6
GT80158-P1010-S02	10	02	88.4	GT80158-S48	0	48	230.2
GT80158-P1210	12	0	88.4	GT80158-P0610-S42	06	42	230.2
GT80158-S18	0	18	111.2	GT80158-P1210-S36	12	36	230.2
GT80158-P0210-S16	02	16	111.2	GT80158-P1810-S30	18	30	230.2
GT80158-P0410-S14	04	14	111.2	GT80158-P2410-S24	24	24	230.2
GT80158-P0610-S12	06	12	111.2	GT80158-S60	0	60	280.8
GT80158-P0810-S10	08	10	111.2	GT80158-P0610-S54	06	54	280.8
GT80158-P1010-S08	10	08	111.2	GT80158-P1210-S48	12	48	280.8
GT80158-P1210-S06	12	06	111.2	GT80158-P1810-S42	18	42	280.8
GT80158-P1410-S04	14	04	111.2	GT80158-P2410-S36	24	36	280.8
GT80158-P1610-S02	16	02	111.2	GT80158-S72	0	72	326.4
GT80158-S24	0	24	134	GT80158-P0610-S66	06	66	326.4
GT80158-P1610-S18	06	18	134	GT80158-P1210-S60	12	60	326.4
GT80158-P1210-S12	12	12	134	GT80158-P2410-S48	24	48	326.4
GT80158-P0810-S06	18	06	134	GT80158-P3610-S36	36	36	326.4
GT80158-P2410	24	0	134	GT80158-S84	0	84	375
GT80158-S30	0	30	161.8	GT80158-P1210-S72	12	72	375

GT80158-P0610-S24	06	24	161.8	GT80158F-P2410-S60	24	60	375
GT80158-P1210-S18	12	18	161.8	GT80158F-S96	0	96	420.6

Note: N channels 10A rings parallel can be used as 1 channel N\*10A current. For example: 2 rings 10A parallel could be used as 1 wires 20A.  
10A,5A (signal) can combine freely in any way.It can be customized based on standard slip ring,please contact customer service for more detmails.

## Specifications

Electrical Data		
Parameter	Value	
	Power	Signal
Rated Voltage	0~690VAC/VDC	0~440VAC/VDC
Insulation Resistance	≥1000MΩ/1000VDC	≥1000MΩ/500VDC
Lead Wires	AWG16#Teflon	AWG22#Teflon
Lead Length	standard 300mm(adjustable)	
Insulation Strength	500VAC@50Hz , 60s	
Electrical Noise	<0.03Ω	
Mechanical Data		
Parameter	Value	
Working Life	See Product Quality Level Table	
Rotating Speed	See Product Quality Level Table	
Working Temperature	-30°C~80°C	
Operating Humidity	0~85% RH	
Contact Material	Precious Metal	
Housing Material	Aluminium Alloy	
Protection Grade	IP51	

## Lead Wires Color Code

Ring	1	2	3	4	5	6	7	8	9	10	11	12
Color	BLK	RED	YLW	GRN	BLU	WHT	BLK	RED	YLW	GRN	BLU	WHT

(6 wires for 1 group color, from 7-12, repeat the same color as 1...6, indicated with number code pipe)

## Options for custom slip ring

Note: Below special demands can be customized. According, the delivery date will be extended 3 to 15 days; also the cost will be increased 30% to 50%. Most of our basic parts are standard and modular, which can save the cost and lead time.

- ① Cable exit way and cable length can be customized for both rotor and stator.
- ② Because of the structure limitation, length/height/OD can be customized on your request.
- ③ Support current or signal up to 200 rings.
- ④ Aviation plug, terminal and heat-shrink tube are optional.
- ⑤ Hybrid slip ring for Yaskawa/Panasonic/Siemens servo control signal, power line and encoder line.
- ⑥ Support mixed high speed data transmission (including Ethernet, USB, RS232, RS485, Profibus, CanBUS, CANOPEN, DeviceNET, CC-LINK, ProfiNET, EtherCAT, etc.)
- ⑦ Can combine temperature control signal with thermocouple signal.
- ⑧ Special environment can be customized, such as quakeproof, high temperature, etc.
- ⑨ Hybrid Pneumatic/hydraulic and electric slip ring can be mixed.
- ⑩ High temperature can up to 500 degrees.
- ⑪ High pressure can up to 110KV
- ⑫ Rotating speed can up to 10000RPM
- ⑬ Maximum current can up to 5000 amperes.
- ⑭ Military grade
- ⑮ Optional for underwater IP65, IP68.
- ⑯ Optional for stainless steel housing

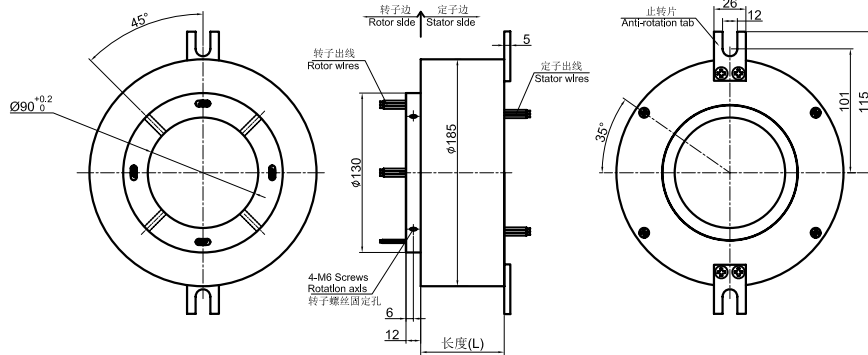
Technical support: technical@moflon.com



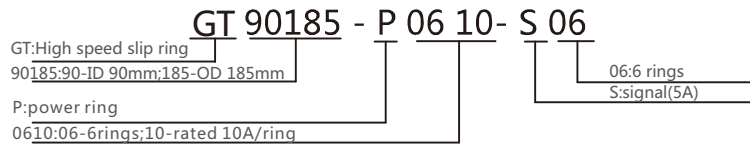
# GT90185series

185mm outer diameter, 100mm through-hole diameter (applicable to  $\leq 100$ mm) standard series integral precision conductive slip ring.

\*Note: if the inner hole less than 100mm is needed, it can be solved by adding inner sleeve.



## Part# Explanation



## Part# List

Gt90185 Series Parts# List							
Part#	10A	Signal/5A	Length-L (mm)	Part#	10A	Signal/5A	Length-L (mm)
GT90185-S06	0	06	75	GT90185-P1810-S12	18	12	189
GT90185-P0210-S04	02	04	75	GT90185-P2410-S06	24	06	189
GT90185-P0410-S02	04	02	75	GT90185-P3010	30	0	189
GT90185-P0610	06	0	75	GT90185-S36	0	36	216
GT90185-S12	0	12	102	GT90185-P0610-S30	06	30	216
GT90185-P0210-S10	02	10	102	GT90185-P1210-S24	12	24	216
GT90185-P0410-S08	04	08	102	GT90185-P1810-S18	18	18	216
GT90185-P0610-S06	06	06	102	GT90185-P2410-S12	24	12	216
GT90185-P0810-S04	08	04	102	GT90185-P3610	36	0	216
GT90185-P1010-S02	10	02	102	GT90185-S48	0	48	270
GT90185-P1210	12	0	102	GT90185-P0610-S42	06	42	270
GT90185-S18	0	18	129	GT90185-P1210-S36	12	36	270
GT90185-P0210-S16	02	16	129	GT90185-P1810-S30	18	30	270
GT90185-P0410-S14	04	14	129	GT90185-P2410-S24	24	24	270
GT90185-P0610-S12	06	12	129	GT90185-S60	0	60	330
GT90185-P0810-S10	08	10	129	GT90185-P0610-S54	06	54	330
GT90185-P1010-S08	10	08	129	GT90185-P1210-S48	12	48	330
GT90185-P1210-S06	12	06	129	GT90185-P1810-S42	18	42	330
GT90185-P1410-S04	14	04	129	GT90185-P2410-S36	24	36	330
GT90185-P1610-S02	16	02	129	GT90185-S72	0	72	384
GT90185--S24	0	24	156	GT90185-P0610-S66	06	66	384
GT90185-P1610-S18	06	18	156	GT90185-P1210-S60	12	60	384
GT90185-P1210-S12	12	12	156	GT90185-P2410-S48	24	48	384
GT90185-P0810-S06	18	06	156	GT90185-P3610-S36	36	36	384
GT90185-P2410	24	0	156	GT90185-S84	0	84	442
GT90185-S30	0	30	189	GT90185-P1210-S72	12	72	442

Note: N channels 10A rings parallel can be used as 1 channel N\*10A current. For example: 2 rings 10A parallel could be used as 1 wires 20A.  
 10A, 5A (signal) can combine freely in any way. It can be customized based on standard slip ring, please contact customer service for more details.

## Specifications

Electrical Data		
Parameter	Value	
	Power	Signal
Rated Voltage	0~690VAC/VDC	0~440VAC/VDC
Insulation Resistance	≥1000MΩ/1000VDC	≥1000MΩ/500VDC
Lead Wires	AWG16#Teflon	AWG22#Teflon
Lead Length	standard 300mm(adjustable)	
Insulation Strength	500VAC@50Hz , 60s	
Electrical Noise	<0.03Ω	
Mechanical Data		
Parameter	Value	
Working Life	See Product Quality Level Table	
Rotating Speed	See Product Quality Level Table	
Working Temperature	-30°C~80°C	
Operating Humidity	0~85% RH	
Contact Material	Precious Metal	
Housing Material	Aluminium Alloy	
Protection Grade	IP51	

## Lead Wires Color Code

Ring	1	2	3	4	5	6	7	8	9	10	11	12
Color	BLK	RED	YLW	GRN	BLU	WHT	BLK	RED	YLW	GRN	BLU	WHT

(6 wires for 1 group color, from 7-12, repeat the same color as 1...6, indicated with number code pipe)

## Options for custom slip ring

Note: Below special demands can be customized. According, the delivery date will be extended 3 to 15 days; also the cost will be increased 30% to 50%. Most of our basic parts are standard and modular, which can save the cost and lead time.

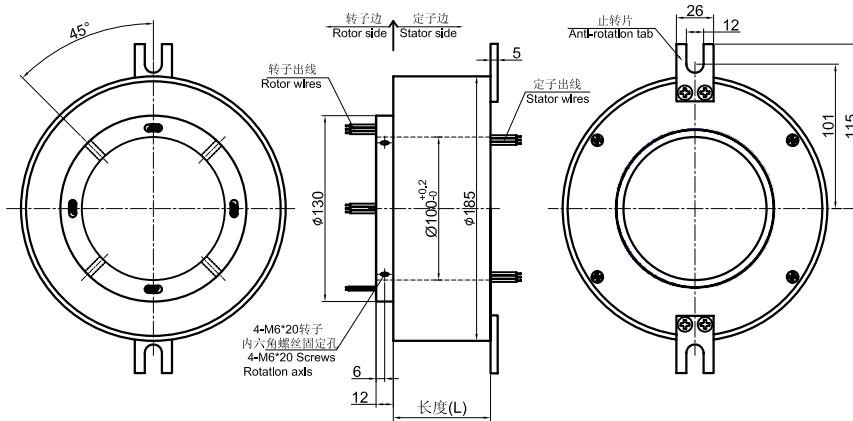
- ① Cable exit way and cable length can be customized for both rotor and stator.
- ② Because of the structure limitation, length/height/OD can be customized on your request.
- ③ Support current or signal up to 200 rings.
- ④ Aviation plug, terminal and heat-shrink tube are optional.
- ⑤ Hybrid slip ring for Yaskawa/Panasonic/Siemens servo control signal, power line and encoder line.
- ⑥ Support mixed high speed data transmission (including Ethernet, USB, RS232, RS485, Profibus, CanBUS, CANOPEN, DeviceNET, CC-LINK, ProfiNET, EtherCAT, etc.)
- ⑦ Can combine temperature control signal with thermocouple signal.
- ⑧ Special environment can be customized, such as quakeproof, high temperature, etc.
- ⑨ Hybrid Pneumatic/hydraulic and electric slip ring can be mixed.
- ⑩ High temperature can up to 500 degrees.
- ⑪ High pressure can up to 110KV
- ⑫ Rotating speed can up to 10000RPM
- ⑬ Maximum current can up to 5000 amperes.
- ⑭ Military grade
- ⑮ Optional for underwater IP65, IP68.
- ⑯ Optional for stainless steel housing

Technical support: [technical@moflon.com](mailto:technical@moflon.com)

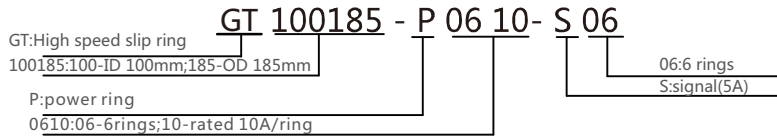
# Gt100185 Series

185mm outer diameter, 100mm through-hole diameter (applicable to  $\leq 100$ mm) standard series integral precision conductive slip ring.

\*Note: if the inner hole less than 100mm is needed, it can be solved by adding inner sleeve.



## Part# Explanation



## Part# List

Gt100185 Series Parts# List							
Part#	10A	Signal/5A	Length-L (mm)	Part#	10A	Signal/5A	Length-L (mm)
GT100185-S06	0	06	75	GT100185-P1810-S12	18	12	189
GT100185-P0210-S04	02	04	75	GT100185-P2410-S06	24	06	189
GT100185-P0410-S02	04	02	75	GT100185-P3010	30	0	189
GT100185-P0610	06	0	75	GT100185-S36	0	36	216
GT100185-S12	0	12	102	GT100185-P0610-S30	06	30	216
GT100185-P0210-S10	02	10	102	GT100185-P1210-S24	12	24	216
GT100185-P0410-S08	04	08	102	GT100185-P1810-S18	18	18	216
GT100185-P0610-S06	06	06	102	GT100185-P2410-S12	24	12	216
GT100185-P0810-S04	08	04	102	GT100185-P3610	36	0	216
GT100185-P1010-S02	10	02	102	GT100185-S48	0	48	270
GT100185-P1210	12	0	102	GT100185-P0610-S42	06	42	270
GT100185-S18	0	18	129	GT100185-P1210-S36	12	36	270
GT100185-P0210-S16	02	16	129	GT100185-P1810-S30	18	30	270
GT100185-P0410-S14	04	14	129	GT100185-P2410-S24	24	24	270
GT100185-P0610-S12	06	12	129	GT100185-S60	0	60	330
GT100185-P0810-S10	08	10	129	GT100185-P0610-S54	06	54	330
GT100185-P1010-S08	10	08	129	GT100185-P1210-S48	12	48	330
GT100185-P1210-S06	12	06	129	GT100185-P1810-S42	18	42	330
GT100185-P1410-S04	14	04	129	GT100185-P2410-S36	24	36	330
GT100185-P1610-S02	16	02	129	GT100185-S72	0	72	384
GT100185-S24	0	24	156	GT100185-P0610-S66	06	66	384
GT100185-P1610-S18	06	18	156	GT100185-P1210-S60	12	60	384
GT100185-P1210-S12	12	12	156	GT100185-P2410-S48	24	48	384
GT100185-P0810-S06	18	06	156	GT100185-P3610-S36	36	36	384
GT100185-P2410	24	0	156	GT100185-S84	0	84	442
GT100185-S30	0	30	189	GT100185-P1210-S72	12	72	442

GT100185-P0610-S24	06	24	189	GT100185F-P2410-S60	24	60	442
GT100185-P1210-S18	12	18	189	GT100185F-S96	0	96	496

Note: N channels 10A rings parallel can be used as 1 channel N\*10A current. For example: 2 rings 10A parallel could be used as 1 wires 20A.  
10A,5A (signal) can combine freely in any way.It can be customized based on standard slip ring,please contact customer service for more detmails.

## Specifications

Electrical Data		
Parameter	Value	
	Power	Signal
Rated Voltage	0~690VAC/VDC	0~440VAC/VDC
Insulation Resistance	≥1000MΩ/1000VDC	≥1000MΩ/500VDC
Lead Wires	AWG16#Teflon	AWG22#Teflon
Lead Length	standard 300mm(adjutable)	
Insulation Strength	500VAC@50Hz , 60s	
Electrical Noise	<0.03Ω	
Mechanical Data		
Parameter	Value	
Working Life	See Product Quality Level Table	
Rotating Speed	See Product Quality Level Table	
Working Temperature	-30°C~80°C	
Operating Humidity	0~85% RH	
Contact Material	Precious Metal	
Housing Material	Aluminium Alloy	
Protection Grade	IP51	

## Lead Wires Color Code

Ring	1	2	3	4	5	6	7	8	9	10	11	12
Color	BLK	RED	YLW	GRN	BLU	WHT	BLK	RED	YLW	GRN	BLU	WHT

(6 wires for 1 group color, from 7-12, repeat the same color as 1...6, indicated with number code pipe)

## Options for custom slip ring

Note: Below special demands can be customized. According, the delivery date will be extended 3 to 15 days; also the cost will be increased 30% to 50%. Most of our basic parts are standard and modular, which can save the cost and lead time.

- ① Cable exit way and cable length can be customized for both rotor and stator.
- ② Because of the structure limitation, length/height/OD can be customized on your request.
- ③ Support current or signal up to 200 rings.
- ④ Aviation plug, terminal and heat-shrink tube are optional.
- ⑤ Hybrid slip ring for Yaskawa/Panasonic/Siemens servo control signal, power line and encoder line.
- ⑥ Support mixed high speed data transmission (including Ethernet, USB, RS232, RS485, Profibus, CanBUS, CANOPEN, DeviceNET, CC-LINK, ProfiNET, EtherCAT, etc.)
- ⑦ Can combine temperature control signal with thermocouple signal.
- ⑧ Special environment can be customized, such as quakeproof, high temperature, etc.
- ⑨ Hybrid Pneumatic/hydraulic and electric slip ring can be mixed.
- ⑩ High temperature can up to 500 degrees.
- ⑪ High pressure can up to 110KV
- ⑫ Rotating speed can up to 10000RPM
- ⑬ Maximum current can up to 5000 amperes.
- ⑭ Military grade
- ⑮ Optional for underwater IP65, IP68.
- ⑯ Optional for stainless steel housing

Technical support: technical@moflon.com