

# MT Series through bore Slip Rings

MT series through bore slip ring is mainly used for transmitting all kinds of signal and power circuits with a through bore, designed for through bore hydraulic or pneumatic rotating shaft installation.



## Features

- Uses fiber brush technology which offers several advantages over conventional slip ring contacts including multiple points of contact per brush bundle
- Bore size from 12.7 to 300mm
- Standard, off-the-shelf
- Gold plated ring and Gold alloy brush
- Support power, signals transmitting
- Rings combination is available

## MT Series Models

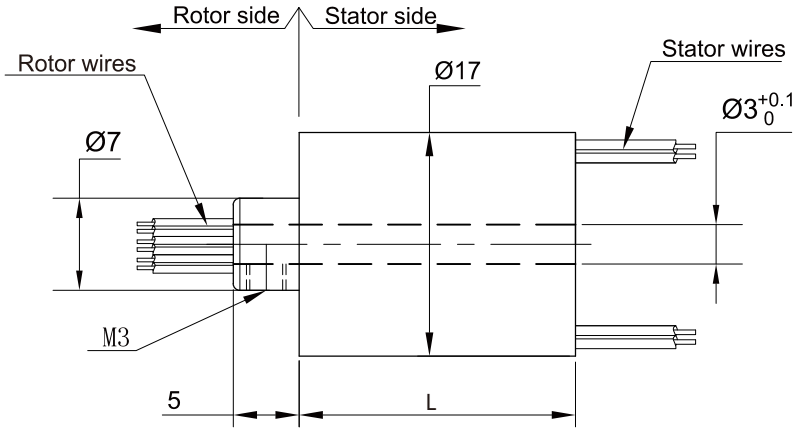
Model#	ID (mm)	OD (mm)	Circuits (Rings)
MT0317	3	17	1~8
MT0522	5	22	1~15
MT0724	7	24.8	1~12
MT0729	7	29	1~12
MT1233	12.7	33	1~12
MT1242	12.7	42	1~12
MT2042	20	42	1~12
MT1256	12.7	56	1~48
MT1256F	12.7	56	1~48
MT1286	12.7	86	1~96
MT2069	20	69	1~48
MT2069F	20	69	1~48
MT2586	25.4	86	1~72
MT2586F	25.4	86	1~72
MT25119	25.4	119	1~144
MT3099	30	99	1~72
MT3899	38.1	99	1~72

Model#	ID (mm)	OD (mm)	Circuits (Rings)
MT3899F	38.1	99	1~72
MT50119	50	119	1~108
MT50119F	50	119	1~108
MT50130	50	130	1~144
MT60130	60	130	1~108
MT70158	70	158	1~108
MT80158	80	158	1~108
MT90185	90	185	1~108
MT100185	100	185	1~108
MT120215	120	215	1~108
MT150248	150	248	1~108
MT180298	180	298	1~108
MT200345	200	345	1~108
MT210345	210	345	1~108
MT250398	250	398	1~108
MT300476	300	476	1~108

60% of MOFLON's sales are customized solutions, please contact customer service for special requirements.

# MT0317 Series

MT0317 series provides a 3mm through-bore for routing of hydraulic or pneumatic lines or hydraulic or pneumatic rotating shaft installation, and a compact 17mm outside diameter, features long life, fiber brush contact technology for ultimate performance in many challenging applications. MT0317 series are standard, off-the-shelf products, Color-coded lead wires are used on both the stator and rotor for simplified electrical connections. It can transmit signal(2A), 5A current when 360° degree free rotating.



## Part# Explanation



## Part# List

MT0317 Series Parts# List		
Part#	Signal or 2A	Length-L (mm)
MT0317-S02	2	13.3
MT0317-S03	3	21
MT0317-S04	4	21
MT0317-S06	6	21
MT0317-S08	8	21

Note:N channels 2A rings parallel can be used as 1 channel N\*2A current. For example: 2 rings 2A parallel could be used as 1 wires 4A

## Specifications

Mechanical Data		Electrical Data		
Parameter	Value	Parameter	Value	
Working Life	10 million revs		Power	Signal
Rotating Speed	Max 250RPM	Rated Voltage	0~220VAC/VDC	0~220VAC/VDC
Working Temperature	-30°C~80°C	Insulation Resistance	≥100MΩ/220VDC	≥100MΩ/220VDC
Operating Humidity	0~85% RH	Lead Wires	AWG28#Teflon	AWG28#Teflon
Contact Material	Gold-gold	Lead Length	Standard 300mm(adjustable)	
Housing Material	PBT	Insulation Strength	500VAC@50Hz, 60s	
Torque	0.05N.m ; +0.02N.m/6rings	Electrical Noise	<0.01Ω	
Protection Grade	IP51			

## Lead Wires Color Code

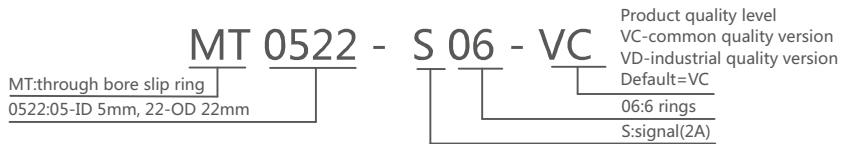
Ring Color	4 wire	1	2	3	4	8 wire	1	2	3	4	5	6	7	8
		BLK	RED	YEL	GRN		RED	GRN	YEL	PUR	GRA	BLK	BLU	DKBU

# MT0522 Series

MT0522 series provides a 5mm through-bore for routing of hydraulic or pneumatic lines or hydraulic or pneumatic rotating shaft installation, and a compact 22mm outside diameter, features long life, fiber brush contact technology for ultimate performance in many challenging applications. MT0522 series are standard, off-the-shelf products, Color-coded lead wires are used on both the stator and rotor for simplified electrical connections. It can transmit signal(2A), 5A current when 360° degree free rotating.



## Part# Explanation



## Part# List

MT0522 Series Parts# List		
Part#	Signal or 2A	Length-L (mm)
MT0522-S02	2	19
MT0522-S04	4	19
MT0522-S06	6	19
MT0522-S08	8	30
MT0522-S10	10	30
MT0522-S12	12	30
MT0522-S15	15	30

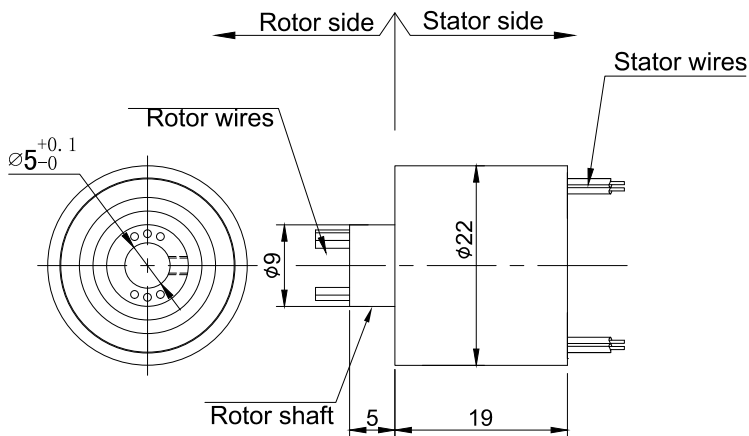
Note:N channels 2A rings parallel can be used as 1 channel N\*2A current. For example: 2 rings 2A parallel could be used as 1 wires 4A

## Specifications

Mechanical Data		Electrical Data		
Parameter	Value	Parameter	Value	
Working Life	10 million revs	Rated Voltage	Power	Signal
Rotating Speed	Max 250RPM		0~220VAC/VDC	0~220VAC/VDC
Working Temperature	-30°C~80°C	Insulation Resistance	≥100MΩ/220VDC	
Operating Humidity	0~85% RH		Lead Wires	MT0522-S06
Contact Material	Gold-gold	AWG26#Teflon		AWG28#Teflon
Housing Material	PBT	Lead Length	Standard 300mm(adjustable)	
Torque	0.05N.m ; +0.02N.m/6rings	Insulation Strength	500VAC@50Hz , 60s	
Protection Grade	IP51	Electrical Noise	<0.01Ω	

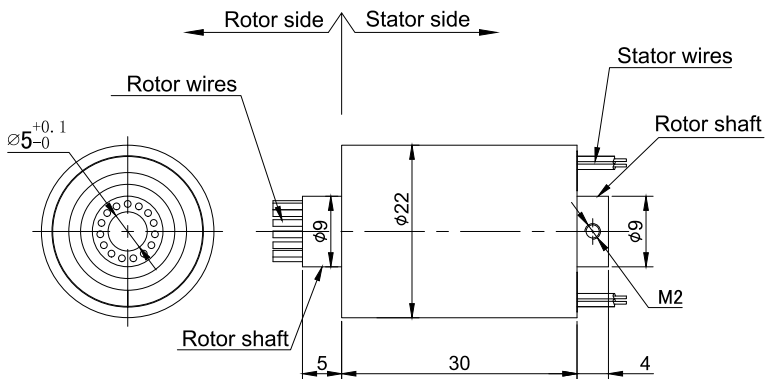
## Product Quality Level Table

Products Level Code	Max Rotating Speed	Working Life	Contact Material
VC	250RPM	20 Million Revs	Precious Metal
VD	600RPM	60 Million Revs	Gold-Gold



Lead Wires Color Code

Ring	1	2	3	4	5	6
Color	BLK	RED	YEL	GRY	BLU	WHT



Lead Wires Color Code

Ring	1	2	3	4	5	6	7	8	9	10	11	12
Color	RED	GRN	YEL	VLT	GRY	BLK	BLU	DKBU	BRN	ORN	WHT	DKYEL
Ring	13		14			15						
Color	WHT-RED		WHT-BLK			WHT-BLU						

## Options For Custom Slip Ring

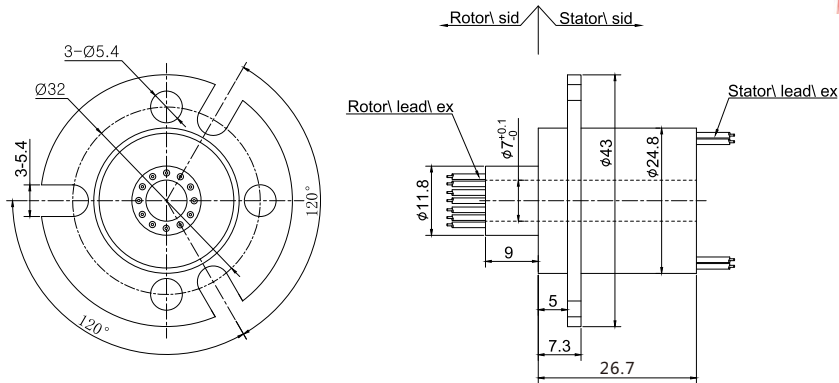
Note: Below special demands can be customized. According, the delivery date will be extended 3 to 15 days; also the cost will be increased 30% to 50%. Most of our basic parts are standard and modular, which can save the cost and lead time.

- ① Cable exit way and cable length can be customized for both rotor and stator.
- ② Because of the structure limitation, length/height/OD can be customized on your request.
- ③ Support current or signal up to 200 rings.
- ④ Aviation plug, terminal and heat-shrink tube are optional.
- ⑤ Hybrid slip ring for Yaskawa/Panasonic/Siemens servo control signal, power line and encoder line.
- ⑥ Support mixed high speed data transmission (including Ethernet, USB, RS232, RS485, Profibus, CanBUS, CANOPEN, DeviceNET, CC-LINK, ProfiNET, EtherCAT, etc.)
- ⑦ Can combine temperature control signal with thermocouple signal.
- ⑧ Special environment can be customized, such as quakeproof, high temperature, etc.
- ⑨ Hybrid Pneumatic/hydraulic and electric slip ring can be mixed.
- ⑩ High temperature can up to 500 degrees.
- ⑪ High pressure can up to 110KV
- ⑫ Rotating speed can up to 10000RPM
- ⑬ Maximum current can up to 5000 amperes.
- ⑭ Military grade
- ⑮ Optional for underwater IP65, IP68.
- ⑯ Optional for stainless steel housing

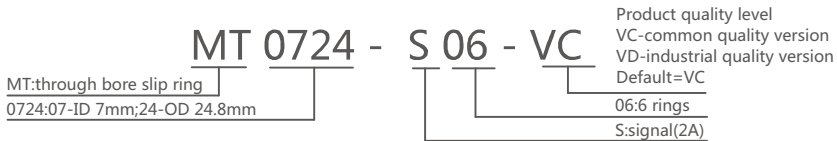
Technical support: [technical@moflon.com](mailto:technical@moflon.com)

# MT0724 Series

MT0724 series provides a 7mm through-bore for routing of hydraulic or pneumatic lines or hydraulic or pneumatic rotating shaft installation, and a compact 24.8mm outside diameter, features long life, fiber brush contact technology for ultimate performance in many challenging applications. MT0724 series are standard, off-the-shelf products, Color-coded lead wires are used on both the stator and rotor for simplified electrical connections. It can transmit signal(2A), 5A current when 360° degree free rotating.



## Part# Explanation



## Part# List

MT0724 Series Parts# List		
Part#	Signal or 2A	Length-L (mm)
MT0724-S02	2	26.7
MT0724-S04	4	26.7
MT0724-S06	6	26.7
MT0724-S08	8	26.7
MT0724-S10	10	26.7
MT0724-S12	12	26.7

Note:N channels 2A rings parallel can be used as 1 channel N\*2A current. For example: 2 rings 2A parallel could be used as 1 wires 4A

## Specifications

Mechanical Data		Electrical Data		
Parameter	Value	Parameter	Value	
Working Life	10 million revs	Rated Voltage	Power	Signal
Rotating Speed	Max 250RPM	Insulation Resistance	0~220VAC/VDC	0~220VAC/VDC
Working Temperature	-30°C~80°C	Lead Wires	≥100MΩ/220VDC	≥100MΩ/220VDC
Operating Humidity	0~85% RH	Lead Length	AWG28#Teflon	AWG28#Teflon
Contact Material	Gold-gold	Insulation Strength	Standard 300mm(adjustable)	
Housing Material	Aluminium Alloy	Electrical Noise	500VAC@50Hz, 60s	
Torque	0.05N.m ; +0.02N.m/6rings		<0.01Ω	
Protection Grade	IP51			

## Product Quality Level Table

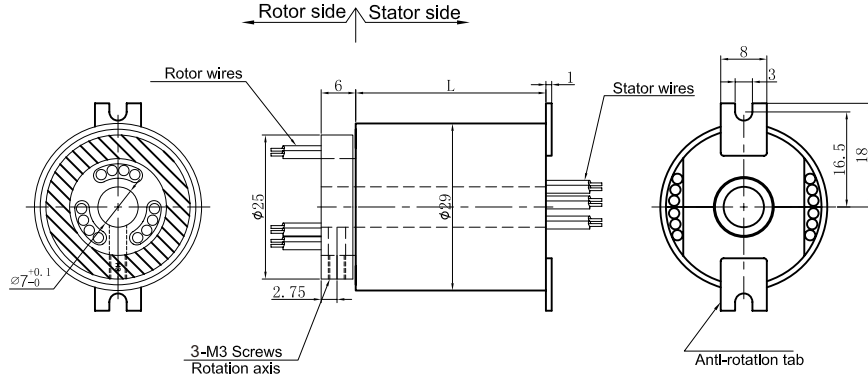
Products Level Code	Max Rotating Speed	Working Life	Contact Material
VC	250RPM	20 Million Revs	Precious Metal
VD	600RPM	60 Million Revs	Gold-Gold

## Lead Wires Color Code

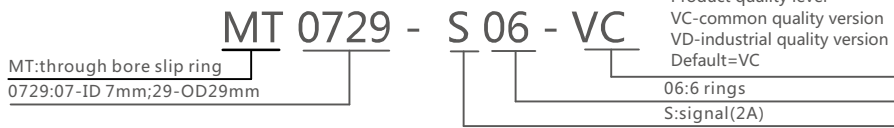
Ring Color	4 wire	1	2	3	4	8 wire	1	2	3	4	5	6	7	8
		BLK	RED	YEL	GRN		RED	GRN	YEL	PUR	GRA	BLK	BLU	DKBU

# MT0729 Series

MT0729 series provides a 7mm through-bore for routing of hydraulic or pneumatic lines or hydraulic or pneumatic rotating shaft installation, and a compact 29mm outside diameter, features long life, fiber brush contact technology for ultimate performance in many challenging applications. MT0729 series are standard, off-the-shelf products, Color-coded lead wires are used on both the stator and rotor for simplified electrical connections. It can transmit signal(2A), 5A current when 360° degree free rotating.



## Part# Explanation



## Part# List

MT0729 Series Parts# List			
Part#	10A	Signal or 5A	Length-L (mm)
MT0729-S02	0	2	30
MT0729-P0210	2	0	30
MT0729-S03	0	3	30
MT0729-P0310	3	0	30
MT0729-S04	0	4	30
MT0729-P0410	4	0	30
MT0729-S06	0	6	30
MT0729-P0210-S03	2	3	30
MT0729-P0410-S02	4	2	30
MT0729-P0610	6	0	43.8
MT0729-S12	0	12	43.8
MT0729-P0210-S09	2	10	43.8
MT0729-P0310-S09	3	9	43.8
MT0729-P0410-S06	4	8	43.8
MT0729-P0610-S03	6	6	43.8
MT0729-P0810-S06	8	4	57.6
MT0729-P1010-S03	10	2	57.6
MT0729-P1210	12	0	57.6

Note: N channels 5A rings parallel can be used as 1 channel N\*5A current. For example: 2 rings 5A parallel could be used as 1 wires 10A

## Specifications

Electrical Data		
Parameter	Value	
	Power	Signal
Rated Voltage	0~240VAC/VDC	0~240VAC/VDC
Insulation Resistance	≥500MΩ/500VDC	≥200MΩ/300VDC
Lead Wires	AWG17#Teflon	AWG22#Teflon
Lead Length	Standard 300mm(adjustable)	
Insulation Strength	500VAC@50Hz, 60s	
Electrical Noise	<0.01Ω	
Mechanical Data		
Parameter	Value	
Working Life	See Product Quality Level Table	
Rotating Speed	See Product Quality Level Table	
Working Temperature	-30°C~80°C	
Operating Humidity	0~85% RH	
Contact Material	See Product Quality Level Table	
Housing Material	Aluminium Alloy	
Torque	0.05N.m; +0.02N.m/6 rings	
Protection Grade	IP51	

## Product Quality Level Table

Products Level Code	Max Rotating Speed	Working Life	Contact Material
VC	250RPM	20 Million Revs	Precious Metal
VD	600RPM	60 Million Revs	Gold-Gold

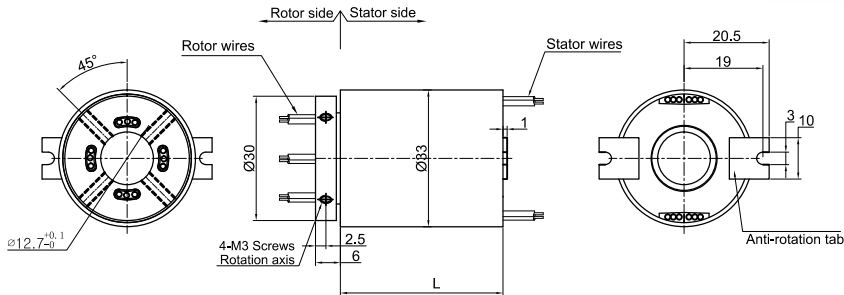
## Lead Wires Color Code

Ring	1	2	3	4	5	6	7	8	9	10	11	12
Color	BLK	RED	YEL	GRN	BLU	WHT	BLK	RED	YEL	GRN	BLU	WHT

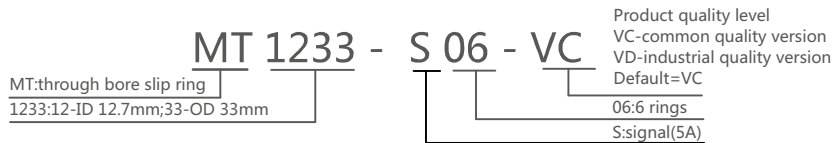
(6 wires for 1 group color, from 7-12, repeat the same color as 1...6, indicated with number code pipe)

# MT1233 Series

MT1233 series provides a 12.7mm through-bore for routing of hydraulic or pneumatic lines or hydraulic or pneumatic rotating shaft installation, and a compact 33mm outside diameter, features long life, fiber brush contact technology for ultimate performance in many challenging applications. MT1233 series are standard, off-the-shelf products, Color-coded lead wires are used on both the stator and rotor for simplified electrical connections. It can transmit signal(2A), 5A current when 360° degree free rotating.



## Part# Explanation



## Part# List

MT1233 Series Parts# List		
Part#	Signal or 5A	Length-L (mm)
MT1233-S02	2	25.4
MT1233-S03	3	25.4
MT1233-S04	4	25.4
MT1233-S06	6	25.4
MT1233-S08	8	39.2
MT1233-S10	10	39.2
MT1233-S12	12	39.2

Note: N channels 5A rings parallel can be used as 1 channel N\*5A current. For example: 2 rings 5A parallel could be used as 1 wires 10A. If each circuit need to pass current over 5A, please contact customer service for more details.

## Specifications

Electrical Data	
Parameter	Value
	Power
	Signal
Rated Voltage	0~240VAC/VDC
Insulation Resistance	$\geq 500M\Omega/500VDC$
Lead Wires	AWG17,AWG22#Teflon
Lead Length	Standard 300mm(adjustable)
Insulation Strength	500VAC@50Hz , 60s
Electrical Noise	<0.01 $\Omega$
Mechanical Data	
Parameter	Value
Working Life	See Product Quality Level Table
Rotating Speed	See Product Quality Level Table
Working Temperature	-30°C~80°C
Operating Humidity	0~85% RH
Contact Material	See Product Quality Level Table
Housing Material	PBT
Torque	0.1N.m; +0.03N.m/6rings
Protection Grade	IP51



### Product Quality Level Table

Products Level Code	Max Rotating Speed	Working Life	Contact Material
VC	250RPM	20 Million Revs	Precious Metal
VD	1000RPM	60 Million Revs	Gold-Gold

### Lead Wires Color Code

Ring	1	2	3	4	5	6	7	8	9	10	11	12
Color	BLK	RED	YEL	GRN	BLU	WHT	BLK	RED	YEL	GRN	BLU	WHT

(6 wires for 1 group color, from 7-12, repeat the same color as 1...6, indicated with number code pipe)

### Options For Custom Slip Ring

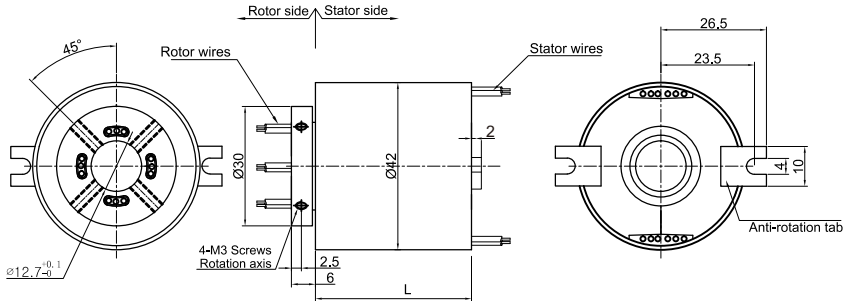
Note: Below special demands can be customized. According, the delivery date will be extended 3 to 15 days; also the cost will be increased 30% to 50%. Most of our basic parts are standard and modular, which can save the cost and lead time.

- ① Cable exit way and cable length can be customized for both rotor and stator.
- ② Because of the structure limitation, length/height/OD can be customized on your request.
- ③ Support current or signal up to 200 rings.
- ④ Aviation plug, terminal and heat-shrink tube are optional.
- ⑤ Hybrid slip ring for Yaskawa/Panasonic/Siemens servo control signal, power line and encoder line.
- ⑥ Support mixed high speed data transmission (including Ethernet, USB, RS232, RS485, Profibus, CanBUS, CANOPEN, DeviceNET, CC-LINK, ProfiNET, EtherCAT, etc.)
- ⑦ Can combine temperature control signal with thermocouple signal.
- ⑧ Special environment can be customized, such as quakeproof, high temperature, etc.
- ⑨ Hybrid Pneumatic/hydraulic and electric slip ring can be mixed.
- ⑩ High temperature can up to 500 degrees.
- ⑪ High pressure can up to 110KV
- ⑫ Rotating speed can up to 10000RPM
- ⑬ Maximum current can up to 5000 amperes.
- ⑭ Military grade
- ⑮ Optional for underwater IP65, IP68.
- ⑯ Optional for stainless steel housing

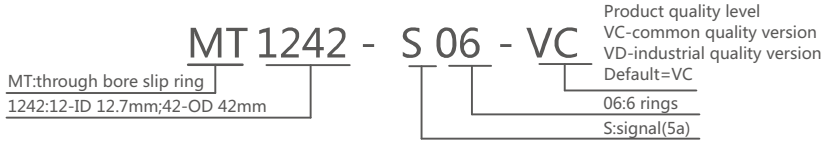
Technical support: [technical@moflon.com](mailto:technical@moflon.com)

# MT1242 Series

MT1242 series provides a 12.7mm through-bore for routing of hydraulic or pneumatic lines or hydraulic or pneumatic rotating shaft installation, and a compact 42mm outside diameter, features long life, fiber brush contact technology for ultimate performance in many challenging applications. MT1242 series are standard, off-the-shelf products, Color-coded lead wires are used on both the stator and rotor for simplified electrical connections. It can transmit signal(2A), 5A current when 360° degree free rotating.



## Part# Explanation



## Part# List

MT1242 Series Parts# List		
Part#	Signal or 5A	Length-L (mm)
MT1242-S02	2	25.4
MT1242-S03	3	25.4
MT1242-S04	4	25.4
MT1242-S06	6	25.4
MT1242-S08	8	39.2
MT1242-S10	10	39.2
MT1242-S12	12	39.2

Note: N channels 5A rings parallel can be used as 1 channel N\*5A current. For example: 2 rings 5A parallel could be used as 1 wires 10A. If each circuit need to pass current over 5A, please contact customer service for more details.

## Specifications

Electrical Data	
Parameter	Value
	Power
	Signal
Rated Voltage	0~240VAC/VDC
Insulation Resistance	$\geq 500M\Omega/500VDC$
Lead Wires	AWG17,AWG22#Teflon
Lead Length	Standard 300mm(adjustable)
Insulation Strength	500VAC@50Hz , 60s
Electrical Noise	<0.01 $\Omega$
Mechanical Data	
Parameter	Value
Working Life	See Product Quality Level Table
Rotating Speed	See Product Quality Level Table
Working Temperature	-30°C~80°C
Operating Humidity	0~85% RH
Contact Material	See Product Quality Level Table
Housing Material	PBT
Torque	0.1N.m;+0.03N.m/6rings
Protection Grade	IP51

### Product Quality Level Table

Products Level Code	Max Rotating Speed	Working Life	Contact Material
VC	400PRM	30 Million Revs	Precious Metal
VD	1200PRM	80 Million Revs	Gold-Gold

### Lead Wires Color Code

Ring	1	2	3	4	5	6	7	8	9	10	11	12
Color	BLK	RED	YEL	GRN	BLU	WHT	BLK	RED	YEL	GRN	BLU	WHT

(6 wires for 1 group colors, from 7-12, repeat the same color as 1...6, indicated with number code pipe)

### Options For Custom Slip Ring

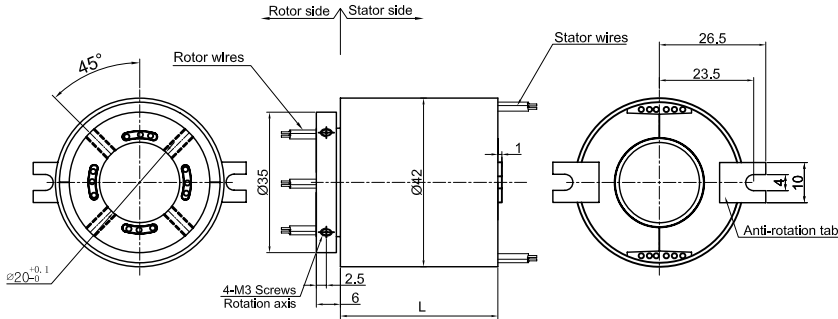
Note: Below special demands can be customized. According, the delivery date will be extended 3 to 15 days; also the cost will be increased 30% to 50%. Most of our basic parts are standard and modular, which can save the cost and lead time.

- ① Cable exit way and cable length can be customized for both rotor and stator.
- ② Because of the structure limitation, length/height/OD can be customized on your request.
- ③ Support current or signal up to 200 rings.
- ④ Aviation plug, terminal and heat-shrink tube are optional.
- ⑤ Hybrid slip ring for Yaskawa/Panasonic/Siemens servo control signal, power line and encoder line.
- ⑥ Support mixed high speed data transmission (including Ethernet, USB, RS232, RS485, Profibus, CanBUS, CANOPEN, DeviceNET, CC-LINK, ProfiNET, EtherCAT, etc.)
- ⑦ Can combine temperature control signal with thermocouple signal.
- ⑧ Special environment can be customized, such as quakeproof, high temperature, etc.
- ⑨ Hybrid Pneumatic/hydraulic and electric slip ring can be mixed.
- ⑩ High temperature can up to 500 degrees.
- ⑪ High pressure can up to 110KV
- ⑫ Rotating speed can up to 10000RPM
- ⑬ Maximum current can up to 5000 amperes.
- ⑭ Military grade
- ⑮ Optional for underwater IP65, IP68.
- ⑯ Optional for stainless steel housing

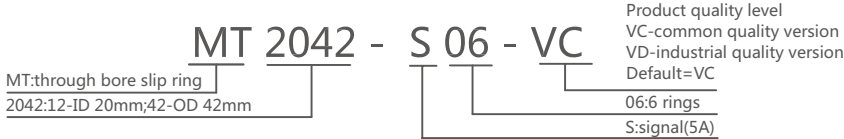
Technical support: [technical@moflon.com](mailto:technical@moflon.com)

# MT2042 Series

MT2042 series provides a 20mm through-bore for routing of hydraulic or pneumatic lines or hydraulic or pneumatic rotating shaft installation, and a compact 42mm outside diameter, features long life, fiber brush contact technology for ultimate performance in many challenging applications. MT2042 series are standard, off-the-shelf products, Color-coded lead wires are used on both the stator and rotor for simplified electrical connections. It can transmit signal (2A), 5A current when 360° degree free rotating.



## Part# Explanation



## Part# List

MT2042 Series Parts# List		
Part#	Signal or 5A	Length-L (mm)
MT2042-S02	2	25.4
MT2042-S03	3	25.4
MT2042-S04	4	25.4
MT2042-S06	6	25.4
MT2042-S08	8	39.2
MT2042-S10	10	39.2
MT2042-S12	12	39.2

Note: N channels 5A rings parallel can be used as 1 channel N\*5A current. For example: 2 rings 5A parallel could be used as 1 wires 10A. Circuit number and current strength can be customized, please contact customer service for more details.

## Specifications

Mechanical Data		Electrical Data		
Parameter	Value	Parameter	Value	
Working Life	10 million revs	Rated Voltage	Power	Signal
Rotating Speed	Max 250RPM		0~240VAC/VDC	0~240VAC/VDC
Working Temperature	-30°C~80°C	Insulation Resistance	≥500MΩ/500VDC	≥500MΩ/500VDC
Operating Humidity	0~85% RH	Lead Wires	AWG28#Teflon	AWG28#Teflon
Contact Material	Gold-gold	Lead Length	Standard 300mm(adjustable)	
Housing Material	PBT	Insulation Strength	500VAC@50Hz, 60s	
Torque	0.05N.m ; +0.02N.m/6rings	Electrical Noise	<0.01Ω	
Protection Grade	IP51			

## Product Quality Level Table

Products Level Code	Max Rotating Speed	Working Life	Contact Material
VC	250RPM	20 Million Revs	Precious Metal
VD	600RPM	60 Million Revs	Gold-Gold

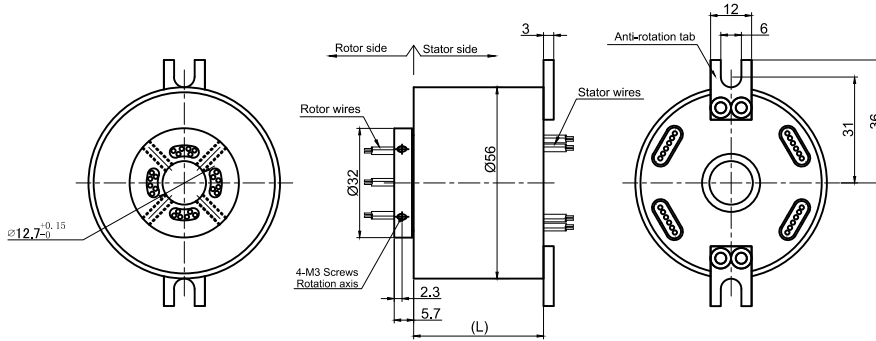
## Lead Wires Color Code

Ring	1	2	3	4	5	6	7	8	9	10	11	12
Color	BLK	RED	YEL	GRN	BLU	WHT	BLK	RED	YEL	GRN	BLU	WHT

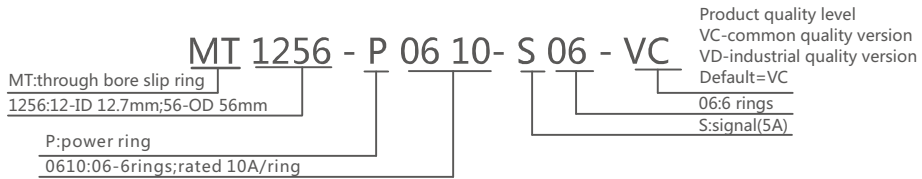
(6 wires for 1 group color, from 7-12, repeat the same color as 1...6, indicated with number code pipe)

# MT1256 Series

MT1256 series provides a 12.7mm through-bore for routing of hydraulic or pneumatic lines or hydraulic or pneumatic rotating shaft installation, and a compact 56mm outside diameter, features long life, fiber brush contact technology for ultimate performance in many challenging applications. MT1256 series are standard, off-the-shelf products, Color-coded lead wires are used on both the stator and rotor for simplified electrical connections. It can transmit signal(2A), 10A, multiple 10A current when 360° degree free rotating.



### Part# Explanation



### Part# List

MT1256 Series Parts# List							
Part#	10A	Signal or 5A	Length-L (mm)	Part#	10A	Signal or 5A	Length-L (mm)
MT1256-S02	0	2	26.8	MT1256-P0210-S16	2	16	71.5
MT1256-P0210	2	0	26.8	MT1256-P0410-S14	4	14	71.5
MT1256-S03	0	3	29.6	MT1256-P0610-S12	6	12	71.5
MT1256-P0310	3	0	29.6	MT1256-P0810-S10	8	10	71.5
MT1256-S06	0	6	38	MT1256-P1010-S08	10	8	71.5
MT1256-P0210-S04	2	4	38	MT1256-P1210-S06	12	6	71.5
MT1256-P0410-S02	4	2	38	MT1256-S24	0	24	88.4
MT1256-P0610	6	0	38	MT1256-P0410-S20	4	20	88.4
MT1256-S12	0	12	54.8	MT1256-P0610-S18	6	18	88.4
MT1256-P0210-S10	2	10	54.8	MT1256-S30	0	30	105.2
MT1256-P0310-S09	3	9	54.8	MT1256-P0210-S28	2	28	105.2
MT1256-P0610-S06	6	6	54.8	MT1256-P0410-S26	4	26	105.2
MT1256-P0810-S04	8	4	54.8	MT1256-S36	0	36	125
MT1256-P1010-S02	10	2	54.8	MT1256-P0410-S32	4	32	125
MT1256-P1210	12	0	54.8	MT1256-S42	0	42	141.8
MT1256-S18	0	18	71.5	MT1256-S48	0	48	158.6

Note: N channels 10A rings parallel can be used as 1 channel N\*10A current. For example: 2 rings 10A parallel could be used as 1 wires 20A. 10A,5A (signal) can combine freely in any way.It can be customized based on standard slip ring,please contact customer service for more details.

## Specifications

Electrical Data		
Parameter	Value	
	Power	Signal
Rated Voltage	0~440VAC/VDC	0~440VAC/VDC
Insulation Resistance	≥1000MΩ/500VDC	≥1000MΩ/500VDC
Lead Wires	AWG17#Teflon	AWG22#Teflon
Lead Length	Standard 300mm(adjustable)	
Insulation Strength	800VAC@50Hz , 60s	
Electrical Noise	<0.01Ω	
Mechanical Data		
Parameter	Value	
Working Life	See Product Quality Level Table	
Rotating Speed	See Product Quality Level Table	
Working Temperature	-30°C~80°C	
Operating Humidity	0~85% RH	
Contact Material	See Product Quality Level Table	
Housing Material	Aluminium Alloy	
Torque	0.1N.m ; +0.03N.m/6rings	
Protection Grade	IP51	

## Product Quality Level Table

Products Level Code	Max Rotating Speed	Working Life	Contact Material
VC	250RPM	20 Million Revs	Precious Metal
VD	600RPM	80 Million Revs	Gold-plated
VH	1000RPM	150 Million Revs	Gold-Gold

## Lead Wires Color Code

Ring	1	2	3	4	5	6	7	8	9	10	11	12
Color	BLK	RED	YEL	GRN	BLU	WHT	BLK	RED	YEL	GRN	BLU	WHT

(6 wires for 1 group color, from 7-12, repeat the same color as 1...6, indicated with number code pipe)

## Options For Custom Slip Ring

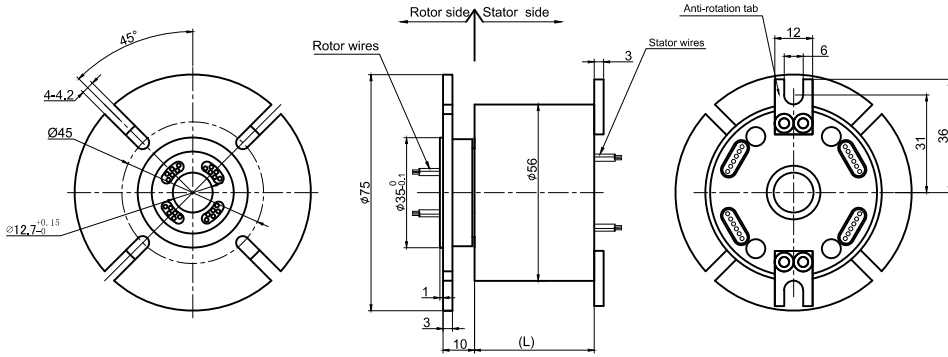
Note: Below special demands can be customized. According, the delivery date will be extended 3 to 15 days; also the cost will be increased 30% to 50%. Most of our basic parts are standard and modular, which can save the cost and lead time.

- ① Cable exit way and cable length can be customized for both rotor and stator.
- ② Because of the structure limitation, length/height/OD can be customized on your request.
- ③ Support current or signal up to 200 rings.
- ④ Aviation plug, terminal and heat-shrink tube are optional.
- ⑤ Hybrid slip ring for Yaskawa/Panasonic/Siemens servo control signal, power line and encoder line.
- ⑥ Support mixed high speed data transmission (including Ethernet, USB, RS232, RS485, Profibus, CanBUS, CANOPEN, DeviceNET, CC-LINK, ProfiNET, EtherCAT, etc.)
- ⑦ Can combine temperature control signal with thermocouple signal.
- ⑧ Special environment can be customized, such as quakeproof, high temperature, etc.
- ⑨ Hybrid Pneumatic/hydraulic and electric slip ring can be mixed.
- ⑩ High temperature can up to 500 degrees.
- ⑪ High pressure can up to 110KV
- ⑫ Rotating speed can up to 10000RPM
- ⑬ Maximum current can up to 5000 amperes.
- ⑭ Military grade
- ⑮ Optional for underwater IP65, IP68.
- ⑯ Optional for stainless steel housing

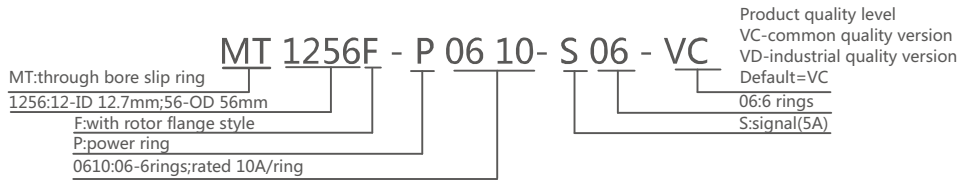
Technical support: technical@moflon.com

# MT1256F Series

MT1256F series provides a 12.7mm through-bore for routing of hydraulic or pneumatic lines or hydraulic or pneumatic rotating shaft installation, and a compact 56mm outside diameter, features long life, fiber brush contact technology for ultimate performance in many challenging applications. MT1256F series are standard, off-the-shelf products, Color-coded lead wires are used on both the stator and rotor for simplified electrical connections. It can transmit signal(2A), 10A, multiple 10A current when 360° degree free rotating.



## Part# Explanation



## Part# List

MT1256 Series Parts# List							
Part#	10A	Signal or 5A	Length-L (mm)	Part#	10A	Signal or 5A	Length-L (mm)
MT1256F-S02	0	2	26.8	MT1256F-P0210-S16	2	16	71.5
MT1256F-P0210	2	0	26.8	MT1256F-P0410-S14	4	14	71.5
MT1256F-S03	0	3	29.6	MT1256F-P0610-S12	6	12	71.5
MT1256F-P0310	3	0	29.6	MT1256F-P0810-S10	8	10	71.5
MT1256F-S06	0	6	38	MT1256F-P1010-S08	10	8	71.5
MT1256F-P0210-S04	2	4	38	MT1256F-P1210-S06	12	6	71.5
MT1256F-P0410-S02	4	2	38	MT1256F-S24	0	24	88.4
MT1256F-P0610	6	0	38	MT1256F-P0410-S20	4	20	88.4
MT1256F-S12	0	12	54.8	MT1256F-P0610-S18	6	18	88.4
MT1256F-P0210-S10	2	10	54.8	MT1256F-S30	0	30	105.2
MT1256F-P0310-S09	3	9	54.8	MT1256F-P0210-S28	2	28	105.2
MT1256F-P0610-S06	6	6	54.8	MT1256F-P0410-S26	4	26	105.2
MT1256F-P0810-S04	8	4	54.8	MT1256F-S36	0	36	125
MT1256F-P1010-S02	10	2	54.8	MT1256F-P0410-S32	4	32	125
MT1256F-P1210	12	0	54.8	MT1256F-S42	0	42	141.8
MT1256F-S18	0	18	71.5	MT1256F-S48	0	48	158.6

Note: N channels 10A rings parallel can be used as 1 channel N\*10A current. For example: 2 rings 10A parallel could be used as 1 wires 20A. 10A,5A (signal) can combine freely in any way.It can be customized based on standard slip ring,please contact customer service for more detmalls.

## Specifications

Electrical Data		
Parameter	Value	
	Power	Signal
Rated Voltage	0~440VAC/VDC	0~440VAC/VDC
Insulation Resistance	≥1000MΩ/500VDC	≥1000MΩ/500VDC
Lead Wires	AWG17#Teflon	AWG22#Teflon
Lead Length	Standard 300mm(adjustable)	
Insulation Strength	800VAC@50Hz , 60s	
Electrical Noise	<0.01Ω	
Mechanical Data		
Parameter	Value	
Working Life	See Product Quality Level Table	
Rotating Speed	See Product Quality Level Table	
Working Temperature	-30°C~80°C	
Operating Humidity	0~85% RH	
Contact Material	See Product Quality Level Table	
Housing Material	Aluminium Alloy	
Torque	0.1N.m ; +0.03N.m/6rings	
Protection Grade	IP51	

## Product Quality Level Table

Products Level Code	Max Rotating Speed	Working Life	Contact Material
VC	250RPM	20 Million Revs	Precious Metal
VD	600RPM	80 Million Revs	Gold-plated
VH	1000RPM	150 Million Revs	Gold-Gold

## Lead Wires Color Code

Ring	1	2	3	4	5	6	7	8	9	10	11	12
Color	BLK	RED	YEL	GRN	BLU	WHT	BLK	RED	YEL	GRN	BLU	WHT

(6 wires for 1 group color, from 7-12, repeat the same color as 1...6, indicated with number code pipe)

## Options For Custom Slip Ring

Note: Below special demands can be customized. According, the delivery date will be extended 3 to 15 days; also the cost will be increased 30% to 50%. Most of our basic parts are standard and modular, which can save the cost and lead time.

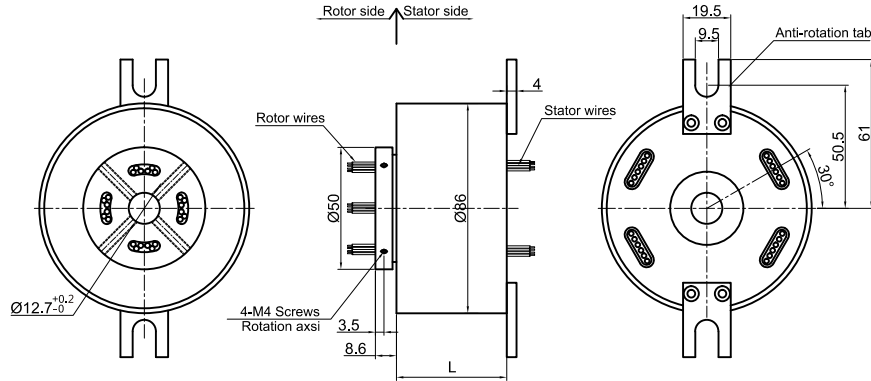
- ① Cable exit way and cable length can be customized for both rotor and stator.
- ② Because of the structure limitation, length/height/OD can be customized on your request.
- ③ Support current or signal up to 200 rings.
- ④ Aviation plug, terminal and heat-shrink tube are optional.
- ⑤ Hybrid slip ring for Yaskawa/Panasonic/Siemens servo control signal, power line and encoder line.
- ⑥ Support mixed high speed data transmission (including Ethernet, USB, RS232, RS485, Profibus, CanBUS, CANOPEN, DeviceNET, CC-LINK, ProfiNET, EtherCAT, etc.)
- ⑦ Can combine temperature control signal with thermocouple signal.
- ⑧ Special environment can be customized, such as quakeproof, high temperature, etc.
- ⑨ Hybrid Pneumatic/hydraulic and electric slip ring can be mixed.
- ⑩ High temperature can up to 500 degrees.
- ⑪ High pressure can up to 110KV
- ⑫ Rotating speed can up to 10000RPM
- ⑬ Maximum current can up to 5000 amperes.
- ⑭ Military grade
- ⑮ Optional for underwater IP65, IP68.
- ⑯ Optional for stainless steel housing

Technical support: [technical@moflon.com](mailto:technical@moflon.com)

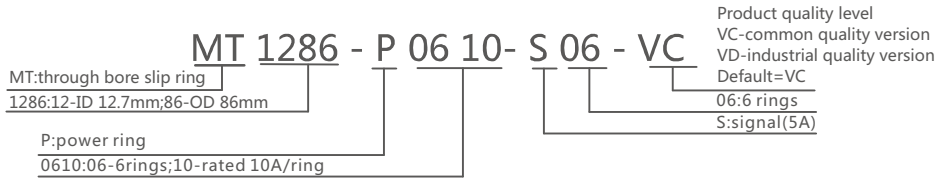


# MT1286 Series

MT1286 series provides a 12.7mm through-bore for routing of hydraulic or pneumatic lines or hydraulic or pneumatic rotating shaft installation, and a compact 86mm outside diameter, features long life, fiber brush contact technology for ultimate performance in many challenging applications. MT1286 series are standard, off-the-shelf products, Color-coded lead wires are used on both the stator and rotor for simplified electrical connections. It can transmit signal(2A), 10A, multiple 10A current when 360° degree free rotating.



## Part# Explanation



## Part# List

MT1286 Series Parts# List							
Part#	10A	Signal or 5A	Length-L (mm)	Part#	10A	Signal or 5A	Length-L (mm)
MT1286-S02	0	2	31.6	MT1286-P1810-S12	18	12	126.8
MT1286-P0210	2	0	31.6	MT1286-P2410-S06	24	6	126.8
MT1286-S03	0	3	35	MT1286-P3010	30	0	126.8
MT1286-P0310	3	0	35	MT1286-S36	0	36	150.2
MT1286-S06	0	6	45.2	MT1286-P0610-S30	6	30	150.2
MT1286-P0210-S04	2	4	45.2	MT1286-P1210-S24	12	24	150.2
MT1286-P0410-S02	4	2	45.2	MT1286-P3610	36	0	150.2
MT1286-P0610	6	0	45.2	MT1286-S42	0	42	170.6
MT1286-S12	0	12	65.6	MT1286-P0610-S36	6	36	170.6
MT1286-P0210-S10	2	10	65.6	MT1286-P1210-S30	12	30	170.6
MT1286-P0310-S09	3	9	65.6	MT1286-P4210	42	0	170.6
MT1286-P0610-S06	6	6	65.6	MT1286-S48	0	48	191
MT1286-P0810-S04	8	4	65.6	MT1286-P0610-S42	6	42	191
MT1286-P1010-S02	10	2	65.6	MT1286-P1210-S36	12	36	191
MT1286-P1210	12	0	65.6	MT1286-P1810-S30	18	30	191
MT1286-S18	0	18	86	MT1286-P2410-S24	24	24	191
MT1286-P0210-S16	2	16	86	MT1286-P4810	48	0	191
MT1286-P0410-S14	4	14	86	MT1286-S60	0	60	231.8
MT1286-P0610-S12	6	12	86	MT1286-P0610-S54	6	54	231.8
MT1286-P0810-S10	8	10	86	MT1286-P0910-S51	9	51	231.8
MT1286-P1010-S08	10	8	86	MT1286-P1210-S48	12	48	231.8
MT1286-P1210-S06	12	6	86	MT1286-P2410-S36	24	36	231.8
MT1286-P1410-S04	14	4	86	MT1286-S72	0	72	275.6
MT1286-P1610-S02	16	2	86	MT1286-P1210-S60	12	60	275.6
MT1286-S24	0	24	106.4	MT1286-P2410-S48	24	48	275.6
MT1286-P0410-S20	4	20	106.4	MT1286-P3610-S36	36	36	275.6
MT1286-P0610-S18	6	18	106.4	MT1286-S84	0	84	316.4
MT1286-P1210-S12	12	12	106.4	MT1286-P1210-S72	12	72	316.4
MT1286-P1810-S06	18	6	106.4	MT1286-P2410-S60	24	60	316.4
MT1286-P2410	24	0	106.4	MT1286-P3610-S48	36	48	316.4
MT1286-S30	0	30	126.8	MT1286-S96	0	96	357.2
MT1286-P0610-S24	6	24	126.8	MT1286-P1210-S84	12	84	357.2
MT1286-P1210-S18	12	18	126.8	MT1286-P2410-S72	24	72	357.2

Note: N channels 10A rings parallel can be used as 1 channel N\*10A current. For example: 2 rings 10A parallel could be used as 1 wires 20A. 10A,5A (signal) can combine freely in any way.It can be customized based on standard slip ring,please contact customer service for more detmalls.

## Specifications

Electrical Data		
Parameter	Value	
	Power	Signal
Rated Voltage	0~690VAC/VDC	0~440VAC/VDC
Insulation Resistance	≥1000MΩ/1000VDC	≥1000MΩ/500VDC
Lead Wires	AWG16#Teflon	AWG22#Teflon
Lead Length	Standard 300mm(adjustable)	
Insulation Strength	1000VAC@50Hz , 60s	
Electrical Noise	<0.01Ω	
Mechanical data		
Parameter	Value	
Working Life	See Product Quality Level Table	
Rotating Speed	See Product Quality Level Table	
Working Temperature	-30°C~80°C	
Operating Humidity	0~85% RH	
Contact Material	See Product Quality Level Table	
Housing Material	Aluminium Alloy	
Torque	0.1N.m ; +0.03N.m/6rings	
Protection Grade	IP51	

## Product Quality Level Table

Products Level Code	Max Rotating Speed	Working Life	Contact Material
VC	250RPM	20 Million Revs	Precious Metal
VD	600RPM	80 Million Revs	Gold-plated
VH	1000RPM	150 Million Revs	Gold-Gold

## Lead Wires Color Code

Ring	1	2	3	4	5	6	7	8	9	10	11	12
Color	BLK	RED	YEL	GRN	BLU	WHT	BLK	RED	YEL	GRN	BLU	WHT

(6 wires for 1 group color, from 7-12, repeat the same color as 1...6, indicated with number code pipe)

## Options For Custom Slip Ring

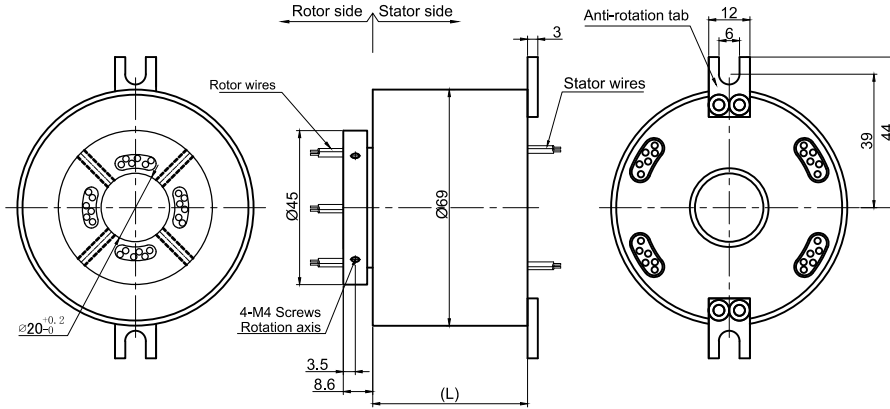
Note: Below special demands can be customized. According, the delivery date will be extended 3 to 15 days; also the cost will be increased 30% to 50%. Most of our basic parts are standard and modular, which can save the cost and lead time.

- ① Cable exit way and cable length can be customized for both rotor and stator.
- ② Because of the structure limitation, length/height/OD can be customized on your request.
- ③ Support current or signal up to 200 rings.
- ④ Aviation plug, terminal and heat-shrink tube are optional.
- ⑤ Hybrid slip ring for Yaskawa/Panasonic/Siemens servo control signal, power line and encoder line.
- ⑥ Support mixed high speed data transmission (including Ethernet, USB, RS232, RS485, Profibus, CanBUS, CANOPEN, DeviceNET, CC-LINK, ProfiNET, EtherCAT, etc.)
- ⑦ Can combine temperature control signal with thermocouple signal.
- ⑧ Special environment can be customized, such as quakeproof, high temperature, etc.
- ⑨ Hybrid Pneumatic/hydraulic and electric slip ring can be mixed.
- ⑩ High temperature can up to 500 degrees.
- ⑪ High pressure can up to 110KV
- ⑫ Rotating speed can up to 10000RPM
- ⑬ Maximum current can up to 5000 amperes.
- ⑭ Military grade
- ⑮ Optional for underwater IP65, IP68.
- ⑯ Optional for stainless steel housing

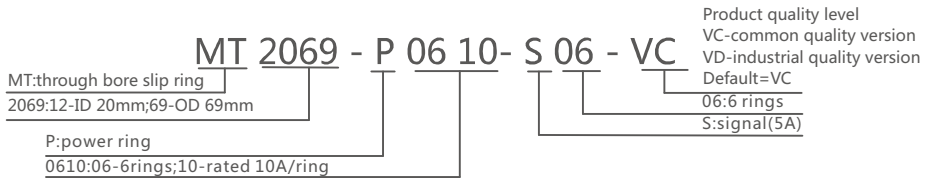
Technical support: [technical@moflon.com](mailto:technical@moflon.com)

# MT2069 Series

MT2069 series provides a 20mm through-bore for routing of hydraulic or pneumatic lines or hydraulic or pneumatic rotating shaft installation, and a compact 69mm outside diameter, features long life, fiber brush contact technology for ultimate performance in many challenging applications. MT2069 series are standard, off-the-shelf products, Color-coded lead wires are used on both the stator and rotor for simplified electrical connections. It can transmit signal(2A), 10A, multiple 10A current when 360° degree free rotating.



## Part# Explanation



## Part# List

MT2069 Series Parts# List							
Part#	10A	Signal or 5A	Length-L (mm)	Part#	10A	Signal or 5A	Length-L (mm)
MT2069-S02	0	2	31.6	MT2069-P1010-S08	10	8	86
MT2069-P0210	2	0	31.6	MT2069-P1210-S06	12	6	86
MT2069-S03	0	3	35	MT2069-P1410-S04	14	4	86
MT2069-P0310	3	0	35	MT2069-P1610-S02	16	2	86
MT2069-S06	0	6	45.2	MT2069-S24	0	24	106.4
MT2069-P0210-S04	2	4	45.2	MT2069-P0410-S20	4	20	106.4
MT2069-P0410-S02	4	2	45.2	MT2069-P0610-S18	6	18	106.4
MT2069-P0610	6	0	45.2	MT2069-P1210-S12	12	12	106.4
MT2069-S12	0	12	65.6	MT2069-P1810-S06	18	6	106.4
MT2069-P0210-S10	2	10	65.6	MT2069-P2410	24	0	106.4
MT2069-P0310-S09	3	9	65.6	MT2069-S30	0	30	126.8
MT2069-P0610-S06	6	6	65.6	MT2069-P0210-S28	2	28	126.8
MT2069-P0810-S04	8	4	65.6	MT2069-P0410-S26	4	26	126.8
MT2069-P1010-S02	10	2	65.6	MT2069-P0610-S24	6	24	126.8
MT2069-P1210	12	0	65.6	MT2069-S36	0	36	150.2
MT2069-S18	0	18	86	MT2069-P0410-S32	4	32	150.2
MT2069-P0210-S16	2	16	86	MT2069-P0610-S30	6	30	150.2
MT2069-P0410-S14	4	14	86	MT2069-S42	0	42	170.6
MT2069-P0610-S12	6	12	86	MT2069-P0410-S38	4	38	193.2
MT2069-P0810-S10	8	10	86	MT2069-S48	0	48	193.2

Note: N channels 10A rings parallel can be used as 1 channel N\*10A current. For example: 2 rings 10A parallel could be used as 1 wires 20A. 10A,5A (signal) can combine freely in any way.It can be customized based on standard slip ring,please contact customer service for more detmalls.

## Specifications

Electrical Data		
Parameter	Value	
	Power	Signal
Rated Voltage	0~440VAC/VDC	0~440VAC/VDC
Insulation Resistance	≥1000MΩ/500VDC	≥1000MΩ/500VDC
Lead Wires	AWG17#Teflon	AWG22#Teflon
Lead Length	Standard 300mm(adjustable)	
Insulation Strength	800VAC@50Hz , 60s	
Electrical Noise	<0.01Ω	
Mechanical Data		
Parameter	Value	
Working Life	See Product Quality Level Table	
Rotating Speed	See Product Quality Level Table	
Working Temperature	-30°C~80°C	
Operating Humidity	0~85% RH	
Contact Material	See Product Quality Level Table	
Housing Material	Aluminium Alloy	
Torque	0.1N.m ; +0.03N.m/6rings	
Protection Grade	IP51	

## Product Quality Level Table

Products Level Code	Max Rotating Speed	Working Life	Contact Material
VC	250RPM	20 Million Revs	Precious Metal
VD	600RPM	80 Million Revs	Gold-plated
VH	1000RPM	150 Million Revs	Gold-Gold

## Lead Wires Color Code

Ring	1	2	3	4	5	6	7	8	9	10	11	12
Color	BLK	RED	YEL	GRN	BLU	WHT	BLK	RED	YEL	GRN	BLU	WHT

(6 wires for 1 group color, from 7-12, repeat the same color as 1...6, indicated with number code pipe)

## Options For Custom Slip Ring

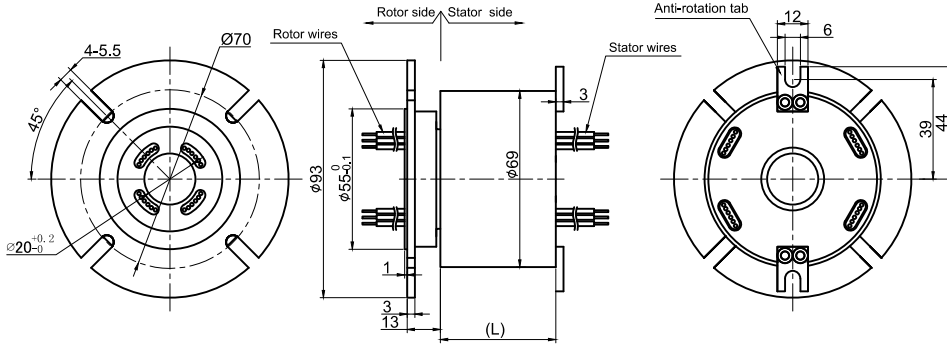
Note: Below special demands can be customized. According, the delivery date will be extended 3 to 15 days; also the cost will be increased 30% to 50%. Most of our basic parts are standard and modular, which can save the cost and lead time.

- ① Cable exit way and cable length can be customized for both rotor and stator.
- ② Because of the structure limitation, length/height/OD can be customized on your request.
- ③ Support current or signal up to 200 rings.
- ④ Aviation plug, terminal and heat-shrink tube are optional.
- ⑤ Hybrid slip ring for Yaskawa/Panasonic/Siemens servo control signal, power line and encoder line.
- ⑥ Support mixed high speed data transmission (including Ethernet, USB, RS232, RS485, Profibus, CanBUS, CANOPEN, DeviceNET, CC-LINK, ProfiNET, EtherCAT, etc.)
- ⑦ Can combine temperature control signal with thermocouple signal.
- ⑧ Special environment can be customized, such as quakeproof, high temperature, etc.
- ⑨ Hybrid Pneumatic/hydraulic and electric slip ring can be mixed.
- ⑩ High temperature can up to 500 degrees.
- ⑪ High pressure can up to 110KV
- ⑫ Rotating speed can up to 10000RPM
- ⑬ Maximum current can up to 5000 amperes.
- ⑭ Military grade
- ⑮ Optional for underwater IP65, IP68.
- ⑯ Optional for stainless steel housing

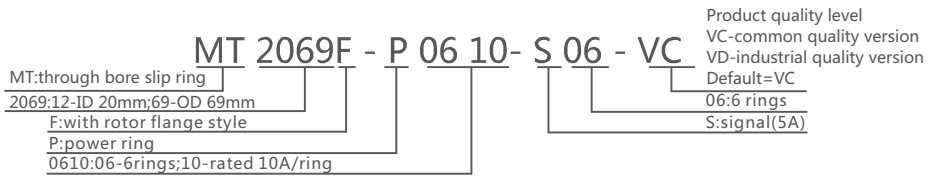
Technical support: [technical@moflon.com](mailto:technical@moflon.com)

# MT2069F Series

MT2069F series provides a 20mm through-bore for routing of hydraulic or pneumatic lines or hydraulic or pneumatic rotating shaft installation, and a compact 69mm outside diameter, features long life, fiber brush contact technology for ultimate performance in many challenging applications. MT2069F series are standard, off-the-shelf products, Color-coded lead wires are used on both the stator and rotor for simplified electrical connections. It can transmit signal(2A), 10A, multiple 10A current when 360° degree free rotating.



### Part# Explanation



### Part# List

MT2069F Series Parts# List							
Part#	10A	Signal or 5A	Length-L (mm)	Part#	10A	Signal or 5A	Length-L (mm)
MT2069F-S02	0	2	31.6	MT2069F-P1010-S08	10	8	86
MT2069F-P0210	2	0	31.6	MT2069F-P1210-S06	12	6	86
MT2069F-S03	0	3	35	MT2069F-P1410-S04	14	4	86
MT2069F-P0310	3	0	35	MT2069F-P1610-S02	16	2	86
MT2069F-S06	0	6	45.2	MT2069F-S24	0	24	106.4
MT2069F-P0210-S04	2	4	45.2	MT2069F-P0410-S20	4	20	106.4
MT2069F-P0410-S02	4	2	45.2	MT2069F-P0610-S18	6	18	106.4
MT2069F-P0610	6	0	45.2	MT2069F-P1210-S12	12	12	106.4
MT2069F-S12	0	12	65.6	MT2069F-P1810-S06	18	6	106.4
MT2069F-P0210-S10	2	10	65.6	MT2069F-P2410	24	0	106.4
MT2069F-P0310-S09	3	9	65.6	MT2069F-S30	0	30	126.8
MT2069F-P0610-S06	6	6	65.6	MT2069F-P0210-S28	2	28	126.8
MT2069F-P0810-S04	8	4	65.6	MT2069F-P0410-S26	4	26	126.8
MT2069F-P1010-S02	10	2	65.6	MT2069F-P0610-S24	6	24	126.8
MT2069F-P1210	12	0	65.6	MT2069F-S36	0	36	150.2
MT2069F-S18	0	18	86	MT2069F-P0410-S32	4	32	150.2
MT2069F-P0210-S16	2	16	86	MT2069F-P0610-S30	6	30	150.2
MT2069F-P0410-S14	4	14	86	MT2069F-S42	0	42	170.6
MT2069F-P0610-S12	6	12	86	MT2069F-P0410-S38	4	38	193.2
MT2069F-P0810-S10	8	10	86	MT2069F-S48	0	48	193.2

Note: N channels 10A rings parallel can be used as 1 channel N\*10A current. For example: 2 rings 10A parallel could be used as 1 wires 20A. 10A,5A (signal) can combine freely in any way.It can be customized based on standard slip ring,please contact customer service for more details.

## Specifications

Electrical Data		
Parameter	Value	
	Power	Signal
Rated Voltage	0~440VAC/VDC	0~440VAC/VDC
Insulation Resistance	≥1000MΩ/500VDC	≥1000MΩ/500VDC
Lead Wires	AWG17#Teflon	AWG22#Teflon
Lead Length	Standard 300mm(adjustable)	
Insulation Strength	800VAC@50Hz , 60s	
Electrical Noise	<0.01Ω	
Mechanical data		
Parameter	Value	
Working Life	See Product Quality Level Table	
Rotating Speed	See Product Quality Level Table	
Working Temperature	-30°C~80°C	
Operating Humidity	0~85% RH	
Contact Material	See Product Quality Level Table	
Housing Material	Aluminium Alloy	
Torque	0.1N.m ; +0.03N.m/6rings	
Protection Grade	IP51	

## Product Quality Level Table

Products Level Code	Max Rotating Speed	Working Life	Contact Material
VC	250RPM	20 Million Revs	Precious Metal
VD	600RPM	80 Million Revs	Gold-plated
VH	1000RPM	150 Million Revs	Gold-Gold

## Lead Wires Color Code

Ring	1	2	3	4	5	6	7	8	9	10	11	12
Color	BLK	RED	YEL	GRN	BLU	WHT	BLK	RED	YEL	GRN	BLU	WHT

(6 wires for 1 group color, from 7-12, repeat the same color as 1...6, indicated with number code pipe)

## Options For Custom Slip Ring

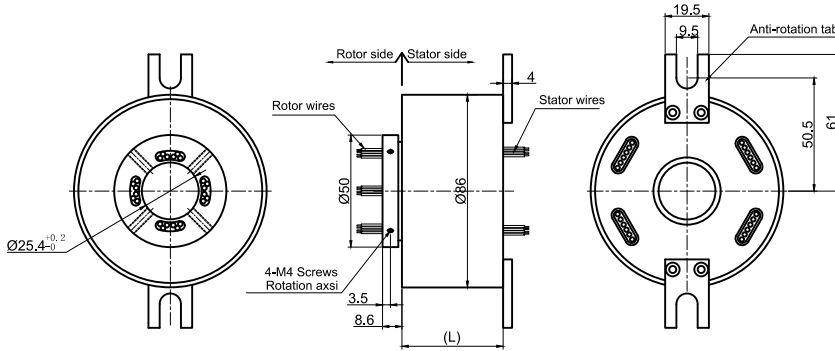
Note: Below special demands can be customized. According, the delivery date will be extended 3 to 15 days; also the cost will be increased 30% to 50%. Most of our basic parts are standard and modular, which can save the cost and lead time.

- ① Cable exit way and cable length can be customized for both rotor and stator.
- ② Because of the structure limitation, length/height/OD can be customized on your request.
- ③ Support current or signal up to 200 rings.
- ④ Aviation plug, terminal and heat-shrink tube are optional.
- ⑤ Hybrid slip ring for Yaskawa/Panasonic/Siemens servo control signal, power line and encoder line.
- ⑥ Support mixed high speed data transmission (including Ethernet, USB, RS232, RS485, Profibus, CanBUS, CANOPEN, DeviceNET, CC-LINK, ProfiNET, EtherCAT, etc.)
- ⑦ Can combine temperature control signal with thermocouple signal.
- ⑧ Special environment can be customized, such as quakeproof, high temperature, etc.
- ⑨ Hybrid Pneumatic/hydraulic and electric slip ring can be mixed.
- ⑩ High temperature can up to 500 degrees.
- ⑪ High pressure can up to 110KV
- ⑫ Rotating speed can up to 10000RPM
- ⑬ Maximum current can up to 5000 amperes.
- ⑭ Military grade
- ⑮ Optional for underwater IP65, IP68.
- ⑯ Optional for stainless steel housing

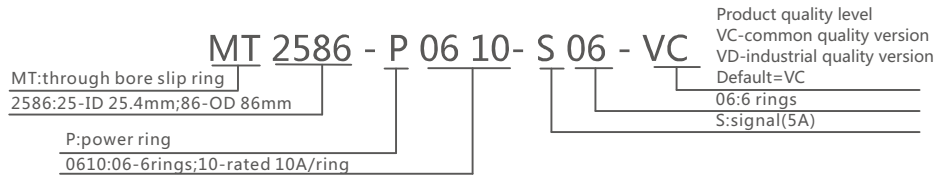
Technical support: [technical@moflon.com](mailto:technical@moflon.com)

# MT2586 Series

MT2586 series provides a 25.4mm through-bore for routing of hydraulic or pneumatic lines or hydraulic or pneumatic rotating shaft installation, and a compact 86mm outside diameter, features long life, fiber brush contact technology for ultimate performance in many challenging applications. MT2586 series are standard, off-the-shelf products, Color-coded lead wires are used on both the stator and rotor for simplified electrical connections. It can transmit signal(2A), 10A, multiple 10A current when 360° degree free rotating.



## Part# Explanation



## Part# List

MT2586 Series Parts# List							
Part#	10A	Signal or 5A	Length-L (mm)	Part#	10A	Signal or 5A	Length-L (mm)
MT2586-S02	0	2	31.6	MT2586-P1210-S12	12	12	106.4
MT2586-P0210	2	0	31.6	MT2586-P1810-S06	18	6	106.4
MT2586-S03	0	3	35	MT2586-P2410	24	0	106.4
MT2586-P0310	3	0	35	MT2586-S30	0	30	126.8
MT2586-S06	0	6	45.2	MT2586-P0610-S24	6	24	126.8
MT2586-P0210-S04	2	4	45.2	MT2586-P1210-S18	12	18	126.8
MT2586-P0410-S02	4	2	45.2	MT2586-P1810-S12	18	12	126.8
MT2586-P0610	6	0	45.2	MT2586-P2410-S06	24	6	126.8
MT2586-S12	0	12	65.6	MT2586-P3010	30	0	126.8
MT2586-P0210-S10	2	10	65.6	MT2586-S36	0	36	150.2
MT2586-P0310-S09	3	9	65.6	MT2586-P0610-S30	6	30	150.2
MT2586-P0610-S06	6	6	65.6	MT2586-P1210-S24	12	24	150.2
MT2586-P0810-S04	8	4	65.6	MT2586-P3610	36	0	150.2
MT2586-P1010-S02	10	2	65.6	MT2586-S42	0	42	170.6
MT2586-P1210	12	0	65.6	MT2586-P0610-S36	6	36	170.6
MT2586-S18	0	18	86	MT2586-P1210-S30	12	30	170.6
MT2586-P0210-S16	2	16	86	MT2586-S48	0	48	193.2
MT2586-P0410-S14	4	14	86	MT2586-P0610-S42	6	42	193.2
MT2586-P0610-S12	6	12	86	MT2586-P0910-S39	9	39	193.2
MT2586-P0810-S10	8	10	86	MT2586-P1210-S36	12	36	193.2
MT2586-P1010-S08	10	8	86	MT2586-P1810-S30	18	30	193.2
MT2586-P1210-S06	12	6	86	MT2586-P2410-S24	24	24	193.2
MT2586-P1410-S04	14	4	86	MT2586-S60	0	60	234
MT2586-P1610-S02	16	2	86	MT2586-P0610-S54	6	54	234
MT2586-S24	0	24	106.4	MT2586-P0910-S51	9	51	234
MT2586-P0410-S20	4	20	106.4	MT2586-P1210-S48	12	48	234
MT2586-P0610-S18	6	18	106.4	MT2586-S72	0	72	277.8

Note: N channels 10A rings parallel can be used as 1 channel N\*10A current. For example: 2 rings 10A parallel could be used as 1 wires 20A. 10A,5A (signal) can combine freely in any way.It can be customized based on standard slip ring,please contact customer service for more detmalls.

## Specifications

Electrical Data		
Parameter	Value	
	Power	Signal
Rated Voltage	0~440VAC/VDC	0~440VAC/VDC
Insulation Resistance	≥1000MΩ/1000VDC	≥1000MΩ/500VDC
Lead Wires	AWG16#Teflon	AWG22#Teflon
Lead Length	Standard 300mm(adjustable)	
Insulation Strength	1000VAC@50Hz , 60s	
Electrical Noise	<0.01Ω	
Mechanical Data		
Parameter	Value	
Working Life	See Product Quality Level Table	
Rotating Speed	See Product Quality Level Table	
Working Temperature	-30°C~80°C	
Operating Humidity	0~85% RH	
Contact Material	See Product Quality Level Table	
Housing Material	Aluminium Alloy	
Torque	0.1N.m ; +0.03N.m/6rings	
Protection Grade	IP51	

## Product Quality Level Table

Products Level Code	Max Rotating Speed	Working Life	Contact Material
VC	250RPM	20 Million Revs	Precious Metal
VD	600RPM	80 Million Revs	Gold-plated
VH	1000RPM	150 Million Revs	Gold-Gold

## Lead Wires Color Code

Ring	1	2	3	4	5	6	7	8	9	10	11	12
Color	BLK	RED	YEL	GRN	BLU	WHT	BLK	RED	YEL	GRN	BLU	WHT

(6 wires for 1 group color, from 7-12, repeat the same color as 1...6, indicated with number code pipe)

## Options For Custom Slip Ring

Note: Below special demands can be customized. According, the delivery date will be extended 3 to 15 days; also the cost will be increased 30% to 50%. Most of our basic parts are standard and modular, which can save the cost and lead time.

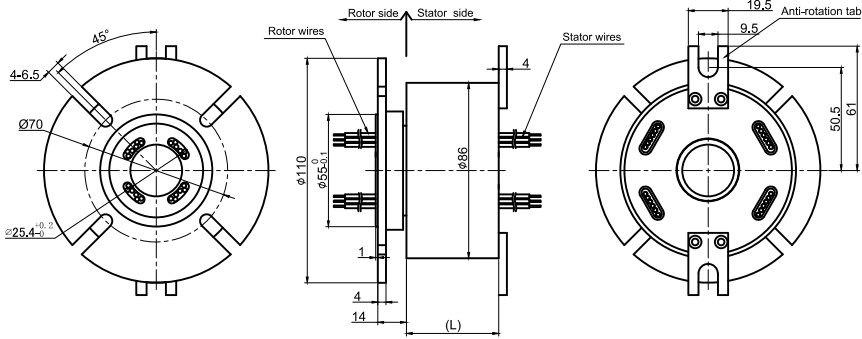
- ① Cable exit way and cable length can be customized for both rotor and stator.
- ② Because of the structure limitation, length/height/OD can be customized on your request.
- ③ Support current or signal up to 200 rings.
- ④ Aviation plug, terminal and heat-shrink tube are optional.
- ⑤ Hybrid slip ring for Yaskawa/Panasonic/Siemens servo control signal, power line and encoder line.
- ⑥ Support mixed high speed data transmission (including Ethernet, USB, RS232, RS485, Profibus, CanBUS, CANOPEN, DeviceNET, CC-LINK, ProfiNET, EtherCAT, etc.)
- ⑦ Can combine temperature control signal with thermocouple signal.
- ⑧ Special environment can be customized, such as quakeproof, high temperature, etc.
- ⑨ Hybrid Pneumatic/hydraulic and electric slip ring can be mixed.
- ⑩ High temperature can up to 500 degrees.
- ⑪ High pressure can up to 110KV
- ⑫ Rotating speed can up to 10000RPM
- ⑬ Maximum current can up to 5000 amperes.
- ⑭ Military grade
- ⑮ Optional for underwater IP65, IP68.
- ⑯ Optional for stainless steel housing

Technical support: technical@moflon.com

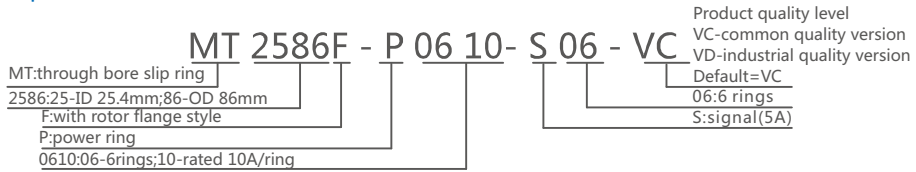


# MT2586F Series

MT2586F series provides a 25.4mm through-bore for routing of hydraulic or pneumatic lines or hydraulic or pneumatic rotating shaft installation, and a compact 86mm outside diameter, features long life, fiber brush contact technology for ultimate performance in many challenging applications. MT2586F series are standard, off-the-shelf products, Color-coded lead wires are used on both the stator and rotor for simplified electrical connections. It can transmit signal(2A), 10A, multiple 10A current when 360° degree free rotating.



## Part# Explanation



## Part# List

MT2586F Series Parts# List							
Part#	10A	Signal or 5A	Length-L (mm)	Part#	10A	Signal or 5A	Length-L (mm)
MT2586F-S02	0	2	31.6	MT2586F-P1210-S12	12	12	106.4
MT2586F-P0210	2	0	31.6	MT2586F-P1810-S06	18	6	106.4
MT2586F-S03	0	3	35	MT2586F-P2410	24	0	106.4
MT2586F-P0310	3	0	35	MT2586F-S30	0	30	126.8
MT2586F-S06	0	6	45.2	MT2586F-P0610-S24	6	24	126.8
MT2586F-P0210-S04	2	4	45.2	MT2586F-P1210-S18	12	18	126.8
MT2586F-P0410-S02	4	2	45.2	MT2586F-P1810-S12	18	12	126.8
MT2586F-P0610	6	0	45.2	MT2586F-P2410-S06	24	6	126.8
MT2586F-S12	0	12	65.6	MT2586F-P3010	30	0	126.8
MT2586F-P0210-S10	2	10	65.6	MT2586F-S36	0	36	150.2
MT2586F-P0310-S09	3	9	65.6	MT2586F-P0610-S30	6	30	150.2
MT2586F-P0610-S06	6	6	65.6	MT2586F-P1210-S24	12	24	150.2
MT2586F-P0810-S04	8	4	65.6	MT2586F-P3610	36	0	150.2
MT2586F-P1010-S02	10	2	65.6	MT2586F-S42	0	42	170.6
MT2586F-P1210	12	0	65.6	MT2586F-P0610-S36	6	36	170.6
MT2586F-S18	0	18	86	MT2586F-P1210-S30	12	30	170.6
MT2586F-P0210-S16	2	16	86	MT2586F-S48	0	48	193.2
MT2586F-P0410-S14	4	14	86	MT2586F-P0610-S42	6	42	193.2
MT2586F-P0610-S12	6	12	86	MT2586F-P0910-S39	9	39	193.2
MT2586F-P0810-S10	8	10	86	MT2586F-P1210-S36	12	36	193.2
MT2586F-P1010-S08	10	8	86	MT2586F-P1810-S30	18	30	193.2
MT2586F-P1210-S06	12	6	86	MT2586F-P2410-S24	24	24	193.2
MT2586F-P1410-S04	14	4	86	MT2586F-S60	0	60	234
MT2586F-P1610-S02	16	2	86	MT2586F-P0610-S54	6	54	234
MT2586F-S24	0	24	106.4	MT2586F-P0910-S51	9	51	234
MT2586F-P0410-S20	4	20	106.4	MT2586F-P1210-S48	12	48	234
MT2586F-P0610-S18	6	18	106.4	MT2586F-S72	0	72	277.8

Note: N channels 10A rings parallel can be used as 1 channel N\*10A current. For example: 2 rings 10A parallel could be used as 1 wires 20A. 10A,5A (signal) can combine freely in any way.It can be customized based on standard slip ring,please contact customer service for more detmalls.

## Specifications

Electrical Data		
Parameter	Value	
	Power	Signal
Rated Voltage	0~690VAC/VDC	0~440VAC/VDC
Insulation Resistance	≥1000MΩ/1000VDC	≥1000MΩ/500VDC
Lead Wires	AWG16#Teflon	AWG22#Teflon
Lead Length	Standard 300mm(adjustable)	
Insulation Strength	1000VAC@50Hz , 60s	
Electrical Noise	<0.01Ω	
Mechanical Data		
Parameter	Value	
Working Life	See Product Quality Level Table	
Rotating Speed	See Product Quality Level Table	
Working Temperature	-30°C~80°C	
Operating Humidity	0~85% RH	
Contact Material	See Product Quality Level Table	
Housing Material	Aluminium Alloy	
Torque	0.1N.m ; +0.03N.m/6rings	
Protection Grade	IP51	

## Product Quality Level Table

Products Level Code	Max Rotating Speed	Working Life	Contact Material
VC	250RPM	20 Million Revs	Precious Metal
VD	600RPM	80 Million Revs	Gold-plated
VH	1000RPM	150 Million Revs	Gold-Gold

## Lead Wires Color Code

Ring	1	2	3	4	5	6	7	8	9	10	11	12
Color	BLK	RED	YEL	GRN	BLU	WHT	BLK	RED	YEL	GRN	BLU	WHT

(6 wires for 1 group color, from 7-12, repeat the same color as 1...6, indicated with number code pipe)

## Options For Custom Slip Ring

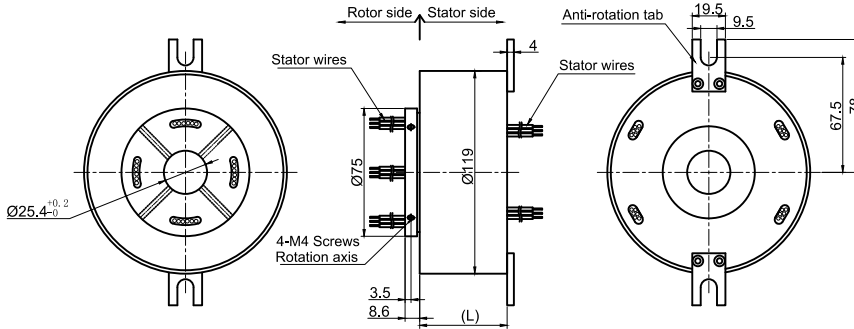
Note: Below special demands can be customized. According, the delivery date will be extended 3 to 15 days; also the cost will be increased 30% to 50%. Most of our basic parts are standard and modular, which can save the cost and lead time.

- ① Cable exit way and cable length can be customized for both rotor and stator.
- ② Because of the structure limitation, length/height/OD can be customized on your request.
- ③ Support current or signal up to 200 rings.
- ④ Aviation plug, terminal and heat-shrink tube are optional.
- ⑤ Hybrid slip ring for Yaskawa/Panasonic/Siemens servo control signal, power line and encoder line.
- ⑥ Support mixed high speed data transmission (including Ethernet, USB, RS232, RS485, Profibus, CanBUS, CANOPEN, DeviceNET, CC-LINK, ProfiNET, EtherCAT, etc.)
- ⑦ Can combine temperature control signal with thermocouple signal.
- ⑧ Special environment can be customized, such as quakeproof, high temperature, etc.
- ⑨ Hybrid Pneumatic/hydraulic and electric slip ring can be mixed.
- ⑩ High temperature can up to 500 degrees.
- ⑪ High pressure can up to 110KV
- ⑫ Rotating speed can up to 10000RPM
- ⑬ Maximum current can up to 5000 amperes.
- ⑭ Military grade
- ⑮ Optional for underwater IP65, IP68.
- ⑯ Optional for stainless steel housing

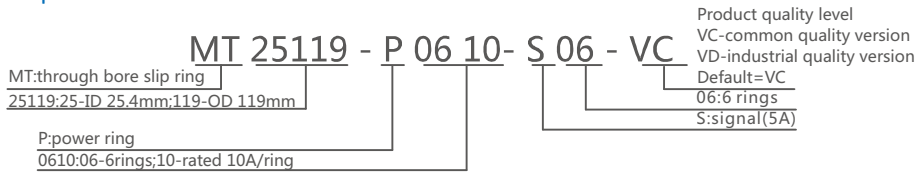
Technical support: technical@moflon.com

# MT25119 Series

MT25119 series provides a 25.4mm through-bore for routing of hydraulic or pneumatic lines or hydraulic or pneumatic rotating shaft installation, and a compact 119mm outside diameter, features long life, fiber brush contact technology for ultimate performance in many challenging applications. MT25119 series are standard, off-the-shelf products, Color-coded lead wires are used on both the stator and rotor for simplified electrical connections. It can transmit signal(2A), 10A, multiple 10A current when 360° degree free rotating.



## Part# Explanation



## Part# List

MT25119 Series Parts# List							
Part#	10A	Signal or 5A	Length-L (mm)	Part#	10A	Signal or 5A	Length-L (mm)
MT25119-S02	0	2	36	MT25119-S48	0	48	217.4
MT25119-P0210	2	0	36	MT25119-P0610-S42	6	42	217.4
MT25119-S03	0	3	39.8	MT25119-P0910-S39	9	39	217.4
MT25119-P0310	3	0	39.8	MT25119-P1210-S36	12	36	217.4
MT25119-S06	0	6	51.2	MT25119-P1810-S30	18	30	217.4
MT25119-P0210-S04	2	4	51.2	MT25119-P2410-S24	24	24	217.4
MT25119-P0410-S02	4	2	51.2	MT25119-S60	0	60	263
MT25119-P0610	6	0	51.2	MT25119-P0610-S54	6	54	263
MT25119-S12	0	12	74	MT25119-P0910-S51	9	51	263
MT25119-P0210-S10	2	10	74	MT25119-P1210-S48	12	48	263
MT25119-P0310-S09	3	9	74	MT25119-S72	0	72	312.6
MT25119-P0610-S06	6	6	74	MT25119-P0610-S66	6	66	312.6
MT25119-P0810-S04	8	4	74	MT25119-P1210-S60	12	60	312.6
MT25119-P1010-S02	10	2	74	MT25119-P2410-S48	24	48	312.6
MT25119-P1210	12	0	74	MT25119-P3610-S36	36	36	312.6
MT25119-S18	0	18	96.8	MT25119-S84	0	84	312.6
MT25119-P0210-S16	2	16	96.8	MT25119-P1210-S72	12	72	312.6
MT25119-P0410-S14	4	14	96.8	MT25119-P2410-S60	24	60	312.6
MT25119-P0610-S12	6	12	96.8	MT25119-P3610-S48	36	48	312.6
MT25119-P0810-S10	8	10	96.8	MT25119-S96	0	96	403.8
MT25119-P1010-S08	10	8	96.8	MT25119-P1210-S84	12	84	403.8
MT25119-P1210-S06	12	6	96.8	MT25119-P2410-S72	24	72	403.8
MT25119-P1410-S04	14	4	96.8	MT25119-P3610-S60	36	60	403.8
MT25119-P1610-S02	16	2	96.8	MT25119-P4210-S54	42	54	403.8
MT25119-S24	0	24	119.6	MT25119-S108	0	108	453.4
MT25119-P0410-S20	4	20	119.6	MT25119-P1210-S96	12	96	453.4
MT25119-P0610-S18	6	18	119.6	MT25119-P2410-S84	24	84	453.4
MT25119-P1210-S12	12	12	119.6	MT25119-P3610-S72	36	72	453.4
MT25119-P1810-S06	18	6	119.6	MT25119-S120	0	120	499
MT25119-P2410	24	0	119.6	MT25119-P1210-S108	12	108	499
MT25119-S30	0	30	142.4	MT25119-P2410-S96	24	96	499
MT25119-P0610-S24	6	24	142.4	MT25119-P3610-S84	36	84	499
MT25119-P1210-S18	12	18	142.4	MT25119-P4810-S72	48	72	499
MT25119-P1810-S12	18	12	142.4	MT25119-S132	0	132	544.6
MT25119-P2410-S06	24	6	142.4	MT25119-P1210-S120	12	120	544.6
MT25119-P3010	30	0	142.4	MT25119-P2410-S108	24	108	544.6

MT25119-S36	0	36	169.2	MT25119-P3610-S96	36	96	542
MT25119-P0610-S30	6	30	169.2	MT25119-P4810-S84	48	84	542
MT25119-P1210-S24	12	24	169.2	MT25119-S144	0	144	587.6
MT25119-P3610	36	0	169.2	MT25119-P1210-S132	12	132	587.6
MT25119-S42	0	42	192	MT25119-P2410-S120	24	120	587.6
MT25119-P0610-S36	6	36	192	MT25119-P3610-S108	36	108	587.6
MT25119-P1210-S30	12	30	192	MT25119-P4810-S96	48	96	587.6

Note: N channels 10A rings parallel can be used as 1 channel N\*10A current. For example: 2 rings 10A parallel could be used as 1 wires 20A. 10A,5A (signal) can combine freely in any way.It can be customized based on standard slip ring,please contact customer service for more detmails.

## Specifications

Electrical Data	
Parameter	Value
	Power
Rated Voltage	0~690VAC/VDC
Insulation Resistance	≥1000MΩ/1000VDC
Lead Wires	AWG16#Teflon
Lead Length	Standard 300mm(adjustable)
Insulation Strength	1000VAC@50Hz , 60s
Electrical Noise	<0.01Ω
	Signal
	0~440VAC/VDC
	≥1000MΩ/500VDC
	AWG22#Teflon
Mechanical Data	
Parameter	Value
Working Life	See Product Quality Level Table
Rotating Speed	See Product Quality Level Table
Working Temperature	-30°C~80°C
Operating Humidity	0~85% RH
Contact Material	See Product Quality Level Table
Housing Material	Aluminium Alloy
Torque	0.1N.m ; +0.03N.m/6rings
Protection Grade	IP51

## Product Quality Level Table

Products Level Code	Max Rotating Speed	Working Life	Contact Material
VC	250RPM	20 Million Revs	Precious Metal
VD	600RPM	80 Million Revs	Gold-plated
VH	1000RPM	150 Million Revs	Gold-Gold

## Lead Wires Color Code

Ring	1	2	3	4	5	6	7	8	9	10	11	12
Color	BLK	RED	YEL	GRN	BLU	WHT	BLK	RED	YEL	GRN	BLU	WHT

(6 wires for 1 group color, from 7-12, repeat the same color as 1...6, indicated with number code pipe)

## Options For Custom Slip Ring

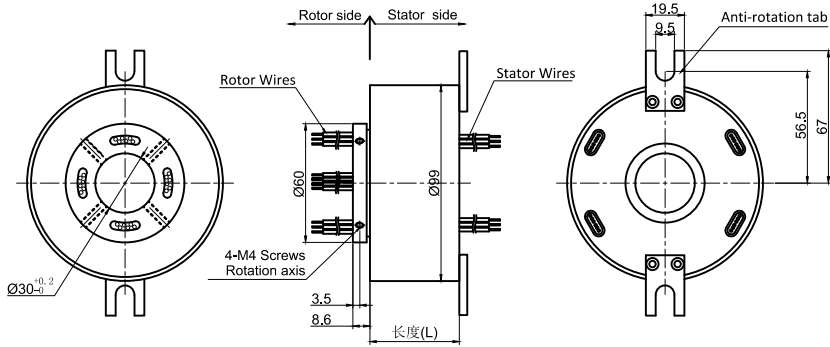
Note: Below special demands can be customized. According, the delivery date will be extended 3 to 15 days; also the cost will be increased 30% to 50%. Most of our basic parts are standard and modular, which can save the cost and lead time.

- ① Cable exit way and cable length can be customized for both rotor and stator.
- ② Because of the structure limitation, length/height/OD can be customized on your request.
- ③ Support current or signal up to 200 rings.
- ④ Aviation plug, terminal and heat-shrink tube are optional.
- ⑤ Hybrid slip ring for Yaskawa/Panasonic/Siemens servo control signal, power line and encoder line.
- ⑥ Support mixed high speed data transmission (including Ethernet, USB, RS232, RS485, Profibus, CanBUS, CANOPEN, DeviceNET, CC-LINK, ProfiNET, EtherCAT, etc.)
- ⑦ Can combine temperature control signal with thermocouple signal.
- ⑧ Special environment can be customized, such as quakeproof, high temperature, etc.
- ⑨ Hybrid Pneumatic/hydraulic and electric slip ring can be mixed.
- ⑩ High temperature can up to 500 degrees.
- ⑪ High pressure can up to 110KV
- ⑫ Rotating speed can up to 10000RPM
- ⑬ Maximum current can up to 5000 amperes.
- ⑭ Military grade
- ⑮ Optional for underwater IP65, IP68.
- ⑯ Optional for stainless steel housing

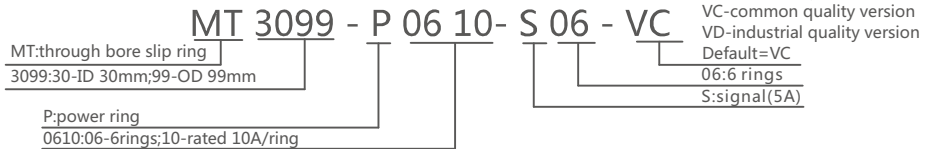
Technical support: technical@moflon.com

# MT3099 Series

MT3099 series provides a 30mm through-bore for routing of hydraulic or pneumatic lines or hydraulic or pneumatic rotating shaft installation, and a compact 99mm outside diameter, features long life, fiber brush contact technology for ultimate performance in many challenging applications. MT3099 series are standard, off-the-shelf products, Color-coded lead wires are used on both the stator and rotor for simplified electrical connections. It can transmit signal(2A), 10A, multiple 10A current when 360° degree free rotating.



## Part# Explanation



## Part# List

MT3099 Series Parts# List							
Part#	10A	Signal or 5A	Length-L (mm)	Part#	10A	Signal or 5A	Length-L (mm)
MT3099-S02	0	2	31.6	MT3099-P1210-S12	12	12	106.4
MT3099-P0210	2	0	31.6	MT3099-P1810-S06	18	6	106.4
MT3099-S03	0	3	35	MT3099-P2410	24	0	106.4
MT3099-P0310	3	0	35	MT3099-S30	0	30	126.8
MT3099-S06	0	6	45.2	MT3099-P0610-S24	6	24	126.8
MT3099-P0210-S04	2	4	45.2	MT3099-P1210-S18	12	18	126.8
MT3099-P0410-S02	4	2	45.2	MT3099-P1810-S12	18	12	126.8
MT3099-P0610	6	0	45.2	MT3099-P2410-S06	24	6	126.8
MT3099-S12	0	12	65.6	MT3099-P3010	30	0	126.8
MT3099-P0210-S10	2	10	65.6	MT3099-S36	0	36	150.2
MT3099-P0310-S09	3	9	65.6	MT3099-P0610-S30	6	30	150.2
MT3099-P0610-S06	6	6	65.6	MT3099-P1210-S24	12	24	150.2
MT3099-P0810-S04	8	4	65.6	MT3099-P3610	36	0	150.2
MT3099-P1010-S02	10	2	65.6	MT3099-S42	0	42	170.6
MT3099-P1210	12	0	65.6	MT3099-P0610-S36	6	36	170.6
MT3099-S18	0	18	86	MT3099-P1210-S30	12	30	170.6
MT3099-P0210-S16	2	16	86	MT3099-S48	0	48	193.2
MT3099-P0410-S14	4	14	86	MT3099-P0610-S42	6	42	193.2
MT3099-P0610-S12	6	12	86	MT3099-P0910-S39	9	39	193.2
MT3099-P0810-S10	8	10	86	MT3099-P1210-S36	12	36	193.2
MT3099-P1010-S08	10	8	86	MT3099-P1810-S30	18	30	193.2
MT3099-P1210-S06	12	6	86	MT3099-P2410-S24	24	24	193.2
MT3099-P1410-S04	14	4	86	MT3099-S60	0	60	234
MT3099-P1610-S02	16	2	86	MT3099-P0610-S54	6	54	234
MT3099-S24	0	24	106.4	MT3099-P0910-S51	9	51	234
MT3099-P0410-S20	4	20	106.4	MT3099-P1210-S48	12	48	234
MT3099-P0610-S18	6	18	106.4	MT3099-S72	0	72	277.8

Note: N channels 10A rings parallel can be used as 1 channel N\*10A current. For example: 2 rings 10A parallel could be used as 1 wires 20A. 10A,5A (signal) can combine freely in any way.It can be customized based on standard slip ring,please contact customer service for more detmalls.

## Specifications

Electrical Data		
Parameter	Value	
	Power	Signal
Rated Voltage	0~690VAC/VDC	0~440VAC/VDC
Insulation Resistance	≥1000MΩ/1000VDC	≥1000MΩ/500VDC
Lead Wires	AWG16#Teflon	AWG22#Teflon
Lead Length	Standard 300mm(adjustable)	
Insulation Strength	1000VAC@50Hz , 60s	
Electrical Noise	<0.01Ω	
Mechanical Data		
Parameter	Value	
Working Life	See Product Quality Level Table	
Rotating Speed	See Product Quality Level Table	
Working Temperature	-30°C~80°C	
Operating Humidity	0~85% RH	
Contact Material	See Product Quality Level Table	
Housing Material	Aluminium Alloy	
Torque	0.1N.m ; +0.03N.m/6rings	
Protection Grade	IP51	

## Product Quality Level Table

Products Level Code	Max Rotating Speed	Working Life	Contact Material
VC	250RPM	20 Million Revs	Precious Metal
VD	600RPM	80 Million Revs	Gold-plated
VH	1000RPM	150 Million Revs	Gold-Gold

## Lead Wires Color Code

Ring	1	2	3	4	5	6	7	8	9	10	11	12
Color	BLK	RED	YEL	GRN	BLU	WHT	BLK	RED	YEL	GRN	BLU	WHT

(6 wires for 1 group color, from 7-12, repeat the same color as 1...6, indicated with number code pipe)

## Options For Custom Slip Ring

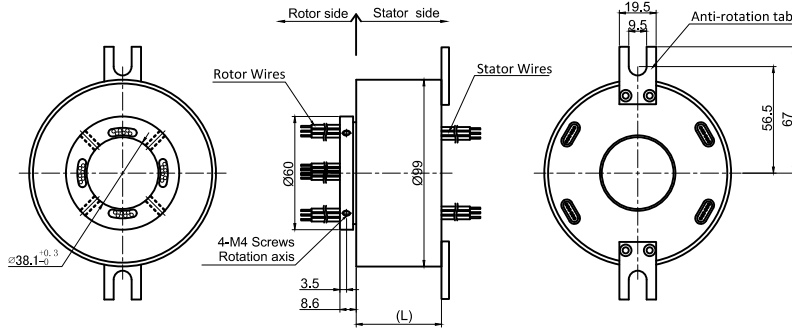
Note: Below special demands can be customized. According, the delivery date will be extended 3 to 15 days; also the cost will be increased 30% to 50%. Most of our basic parts are standard and modular, which can save the cost and lead time.

- ① Cable exit way and cable length can be customized for both rotor and stator.
- ② Because of the structure limitation, length/height/OD can be customized on your request.
- ③ Support current or signal up to 200 rings.
- ④ Aviation plug, terminal and heat-shrink tube are optional.
- ⑤ Hybrid slip ring for Yaskawa/Panasonic/Siemens servo control signal, power line and encoder line.
- ⑥ Support mixed high speed data transmission (including Ethernet, USB, RS232, RS485, Profibus, CanBUS, CANOPEN, DeviceNET, CC-LINK, ProfiNET, EtherCAT, etc.)
- ⑦ Can combine temperature control signal with thermocouple signal.
- ⑧ Special environment can be customized, such as quakeproof, high temperature, etc.
- ⑨ Hybrid Pneumatic/hydraulic and electric slip ring can be mixed.
- ⑩ High temperature can up to 500 degrees.
- ⑪ High pressure can up to 110KV
- ⑫ Rotating speed can up to 10000RPM
- ⑬ Maximum current can up to 5000 amperes.
- ⑭ Military grade
- ⑮ Optional for underwater IP65, IP68.
- ⑯ Optional for stainless steel housing

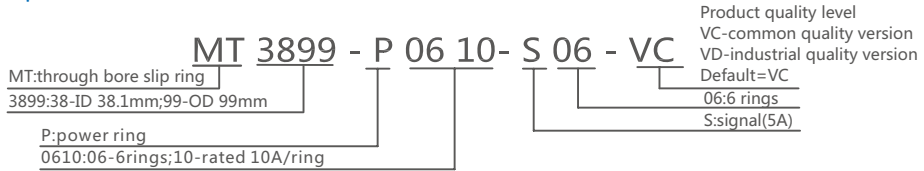
Technical support: technical@moflon.com

# MT3899 Series

MT3899 series provides a 38.1mm through-bore for routing of hydraulic or pneumatic lines or hydraulic or pneumatic rotating shaft installation, and a compact 99mm outside diameter, features long life, fiber brush contact technology for ultimate performance in many challenging applications. MT3899 series are standard, off-the-shelf products, Color-coded lead wires are used on both the stator and rotor for simplified electrical connections. It can transmit signal(2A), 10A, multiple 10A current when 360° degree free rotating.



## Part# Explanation



## Part# List

MT3899 Series Parts# List							
Part#	10A	Signal or 5A	Length-L (mm)	Part#	10A	Signal or 5A	Length-L (mm)
MT3899-S02	0	2	31.6	MT3899-P1210-S12	12	12	106.4
MT3899-P0210	2	0	31.6	MT3899-P1810-S06	18	6	106.4
MT3899-S03	0	3	35	MT3899-P2410	24	0	106.4
MT3899-P0310	3	0	35	MT3899-S30	0	30	126.8
MT3899-S06	0	6	45.2	MT3899-P0610-S24	6	24	126.8
MT3899-P0210-S04	2	4	45.2	MT3899-P1210-S18	12	18	126.8
MT3899-P0410-S02	4	2	45.2	MT3899-P1810-S12	18	12	126.8
MT3899-P0610	6	0	45.2	MT3899-P2410-S06	24	6	126.8
MT3899-S12	0	12	65.6	MT3899-P3010	30	0	126.8
MT3899-P0210-S10	2	10	65.6	MT3899-S36	0	36	150.2
MT3899-P0310-S09	3	9	65.6	MT3899-P0610-S30	6	30	150.2
MT3899-P0610-S06	6	6	65.6	MT3899-P1210-S24	12	24	150.2
MT3899-P0810-S04	8	4	65.6	MT3899-P3610	36	0	150.2
MT3899-P1010-S02	10	2	65.6	MT3899-S42	0	42	170.6
MT3899-P1210	12	0	65.6	MT3899-P0610-S36	6	36	170.6
MT3899-S18	0	18	86	MT3899-P1210-S30	12	30	170.6
MT3899-P0210-S16	2	16	86	MT3899-S48	0	48	193.2
MT3899-P0410-S14	4	14	86	MT3899-P0610-S42	6	42	193.2
MT3899-P0610-S12	6	12	86	MT3899-P0910-S39	9	39	193.2
MT3899-P0810-S10	8	10	86	MT3899-P1210-S36	12	36	193.2
MT3899-P1010-S08	10	8	86	MT3899-P1810-S30	18	30	193.2
MT3899-P1210-S06	12	6	86	MT3899-P2410-S24	24	24	193.2
MT3899-P1410-S04	14	4	86	MT3899-S60	0	60	234
MT3899-P1610-S02	16	2	86	MT3899-P0610-S54	6	54	234
MT3899-S24	0	24	106.4	MT3899-P0910-S51	9	51	234
MT3899-P0410-S20	4	20	106.4	MT3899-P1210-S48	12	48	234
MT3899-P0610-S18	6	18	106.4	MT3899-S72	0	72	277.8

Note: N channels 10A rings parallel can be used as 1 channel N\*10A current. For example: 2 rings 10A parallel could be used as 1 wires 20A. 10A,5A (signal) can combine freely in any way.It can be customized based on standard slip ring,please contact customer service for more detmalls.

## Specifications

Electrical Data	
Parameter	Value
	Power
Rated Voltage	0~690VAC/VDC
Insulation Resistance	≥1000MΩ/1000VDC
Lead Wires	AWG16#Teflon
Lead Length	Standard 300mm(adjutable)
Insulation Strength	1000VAC@50Hz , 60s
Electrical Noise	<0.01Ω
	Signal
	0~440VAC/VDC
	≥1000MΩ/500VDC
	AWG22#Teflon
Mechanical Data	
Parameter	Value
Working Life	See Product Quality Level Table
Rotating Speed	See Product Quality Level Table
Working Temperature	-30°C~80°C
Operating Humidity	0~85% RH
Contact Material	See Product Quality Level Table
Housing Material	Aluminium Alloy
Torque	0.1N.m ; +0.03N.m/6rings
Protection Grade	IP51

## Product Quality Level Table

Products Level Code	Max Rotating Speed	Working Life	Contact Material
VC	250RPM	20 Million Revs	Precious Metal
VD	600RPM	80 Million Revs	Gold-plated
VH	1000RPM	150 Million Revs	Gold-Gold

## Lead Wires Color Code

Ring	1	2	3	4	5	6	7	8	9	10	11	12
Color	BLK	RED	YEL	GRN	BLU	WHT	BLK	RED	YEL	GRN	BLU	WHT

(6 wires for 1 group color, from 7-12, repeat the same color as 1...6, indicated with number code pipe)

## Options For Custom Slip Ring

Note: Below special demands can be customized. According, the delivery date will be extended 3 to 15 days; also the cost will be increased 30% to 50%. Most of our basic parts are standard and modular, which can save the cost and lead time.

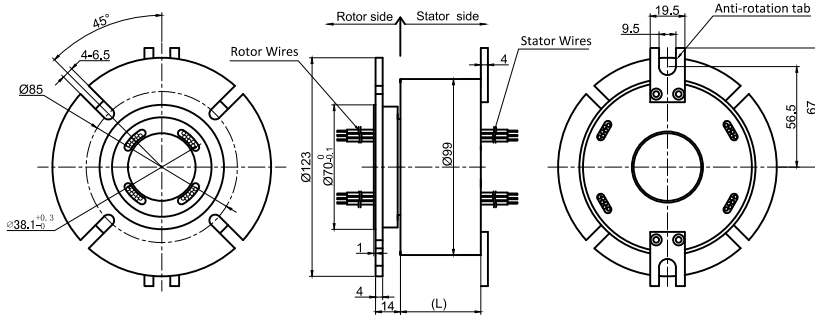
- ① Cable exit way and cable length can be customized for both rotor and stator.
- ② Because of the structure limitation, length/height/OD can be customized on your request.
- ③ Support current or signal up to 200 rings.
- ④ Aviation plug, terminal and heat-shrink tube are optional.
- ⑤ Hybrid slip ring for Yaskawa/Panasonic/Siemens servo control signal, power line and encoder line.
- ⑥ Support mixed high speed data transmission (including Ethernet, USB, RS232, RS485, Profibus, CanBUS, CANOPEN, DeviceNET, CC-LINK, ProfiNET, EtherCAT, etc.)
- ⑦ Can combine temperature control signal with thermocouple signal.
- ⑧ Special environment can be customized, such as quakeproof, high temperature, etc.
- ⑨ Hybrid Pneumatic/hydraulic and electric slip ring can be mixed.
- ⑩ High temperature can up to 500 degrees.
- ⑪ High pressure can up to 110KV
- ⑫ Rotating speed can up to 10000RPM
- ⑬ Maximum current can up to 5000 amperes.
- ⑭ Military grade
- ⑮ Optional for underwater IP65, IP68.
- ⑯ Optional for stainless steel housing

Technical support: [technical@moflon.com](mailto:technical@moflon.com)

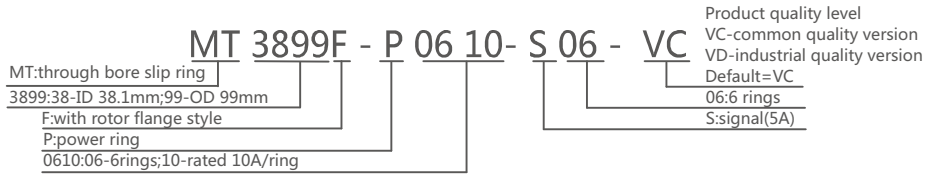


# MT3899F Series

MT3899F series provides a 38.1mm through-bore for routing of hydraulic or pneumatic lines or hydraulic or pneumatic rotating shaft installation, and a compact 99mm outside diameter, features long life, fiber brush contact technology for ultimate performance in many challenging applications. MT3899F series are standard, off-the-shelf products, Color-coded lead wires are used on both the stator and rotor for simplified electrical connections. It can transmit signal(2A), 10A, multiple 10A current when 360° degree free rotating.



## Part# Explanation



## Part# List

MT3899F Series Parts# List							
Part#	10A	Signal or 5A	Length-L (mm)	Part#	10A	Signal or 5A	Length-L (mm)
MT3899F-S02	0	2	31.6	MT3899F-P1210-S12	12	12	106.4
MT3899F-P0210	2	0	31.6	MT3899F-P1810-S06	18	6	106.4
MT3899F-S03	0	3	35	MT3899F-P2410	24	0	106.4
MT3899F-P0310	3	0	35	MT3899F-S30	0	30	126.8
MT3899F-S06	0	6	45.2	MT3899F-P0610-S24	6	24	126.8
MT3899F-P0210-S04	2	4	45.2	MT3899F-P1210-S18	12	18	126.8
MT3899F-P0410-S02	4	2	45.2	MT3899F-P1810-S12	18	12	126.8
MT3899F-P0610	6	0	45.2	MT3899F-P2410-S06	24	6	126.8
MT3899F-S12	0	12	65.6	MT3899F-P3010	30	0	126.8
MT3899F-P0210-S10	2	10	65.6	MT3899F-S36	0	36	150.2
MT3899F-P0310-S09	3	9	65.6	MT3899F-P0610-S30	6	30	150.2
MT3899F-P0610-S06	6	6	65.6	MT3899F-P1210-S24	12	24	150.2
MT3899F-P0810-S04	8	4	65.6	MT3899F-P3610	36	0	150.2
MT3899F-P1010-S02	10	2	65.6	MT3899F-S42	0	42	170.6
MT3899F-P1210	12	0	65.6	MT3899F-P0610-S36	6	36	170.6
MT3899F-S18	0	18	86	MT3899F-P1210-S30	12	30	170.6
MT3899F-P0210-S16	2	16	86	MT3899F-S48	0	48	193.2
MT3899F-P0410-S14	4	14	86	MT3899F-P0610-S42	6	42	193.2
MT3899F-P0610-S12	6	12	86	MT3899F-P0910-S39	9	39	193.2
MT3899F-P0810-S10	8	10	86	MT3899F-P1210-S36	12	36	193.2
MT3899F-P1010-S08	10	8	86	MT3899F-P1810-S30	18	30	193.2
MT3899F-P1210-S06	12	6	86	MT3899F-P2410-S24	24	24	193.2
MT3899F-P1410-S04	14	4	86	MT3899F-S60	0	60	234
MT3899F-P1610-S02	16	2	86	MT3899F-P0610-S54	6	54	234
MT3899F-S24	0	24	106.4	MT3899F-P0910-S51	9	51	234
MT3899F-P0410-S20	4	20	106.4	MT3899F-P1210-S48	12	48	234
MT3899F-P0610-S18	6	18	106.4	MT3899F-S72	0	72	277.8

Note: N channels 10A rings parallel can be used as 1 channel N\*10A current. For example: 2 rings 10A parallel could be used as 1 wires 20A. 10A,5A (signal) can combine freely in any way.It can be customized based on standard slip ring,please contact customer service for more details.

## Specifications

Electrical Data		
Parameter	Value	
	Power	Signal
Rated Voltage	0~690VAC/VDC	0~440VAC/VDC
Insulation Resistance	≥1000MΩ/1000VDC	≥1000MΩ/500VDC
Lead Wires	AWG16#Teflon	AWG22#Teflon
Lead Length	Standard 300mm(adjustable)	
Insulation Strength	1000VAC@50Hz , 60s	
Electrical Noise	<0.01Ω	
Mechanical Data		
Parameter	Value	
Working Life	See Product Quality Level Table	
Rotating Speed	See Product Quality Level Table	
Working Temperature	-30°C~80°C	
Operating Humidity	0~85% RH	
Contact Material	See Product Quality Level Table	
Housing Material	Aluminium Alloy	
Torque	0.1N.m ; +0.03N.m/6rings	
Protection Grade	IP51	

## Product Quality Level Table

Products Level Code	Max Rotating Speed	Working Life	Contact Material
VC	250RPM	20 Million Revs	Precious Metal
VD	600RPM	80 Million Revs	Gold-plated
VH	1000RPM	150 Million Revs	Gold-Gold

## Lead Wires Color Code

Ring	1	2	3	4	5	6	7	8	9	10	11	12
Color	BLK	RED	YEL	GRN	BLU	WHT	BLK	RED	YEL	GRN	BLU	WHT

(6 wires for 1 group color, from 7-12, repeat the same color as 1...6, indicated with number code pipe)

## Options For Custom Slip Ring

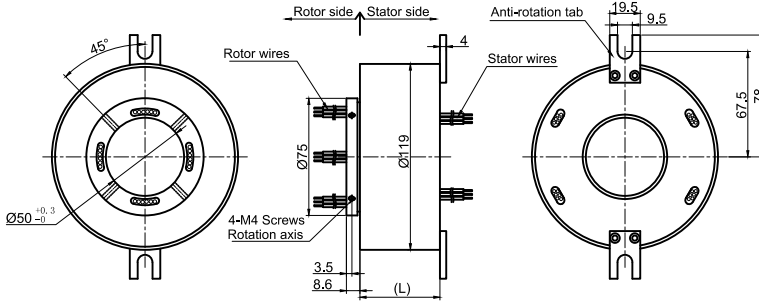
Note: Below special demands can be customized. According, the delivery date will be extended 3 to 15 days; also the cost will be increased 30% to 50%. Most of our basic parts are standard and modular, which can save the cost and lead time.

- ① Cable exit way and cable length can be customized for both rotor and stator.
- ② Because of the structure limitation, length/height/OD can be customized on your request.
- ③ Support current or signal up to 200 rings.
- ④ Aviation plug, terminal and heat-shrink tube are optional.
- ⑤ Hybrid slip ring for Yaskawa/Panasonic/Siemens servo control signal, power line and encoder line.
- ⑥ Support mixed high speed data transmission (including Ethernet, USB, RS232, RS485, Profibus, CanBUS, CANOPEN, DeviceNET, CC-LINK, ProfiNET, EtherCAT, etc.)
- ⑦ Can combine temperature control signal with thermocouple signal.
- ⑧ Special environment can be customized, such as quakeproof, high temperature, etc.
- ⑨ Hybrid Pneumatic/hydraulic and electric slip ring can be mixed.
- ⑩ High temperature can up to 500 degrees.
- ⑪ High pressure can up to 110KV
- ⑫ Rotating speed can up to 10000RPM
- ⑬ Maximum current can up to 5000 amperes.
- ⑭ Military grade
- ⑮ Optional for underwater IP65, IP68.
- ⑯ Optional for stainless steel housing

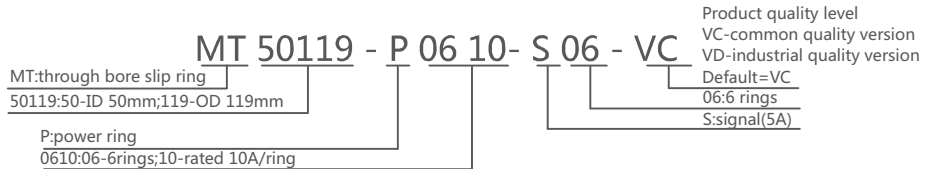
Technical support: technical@moflon.com

# MT50119 Series

MT50119 series provides a 50mm through-bore for routing of hydraulic or pneumatic lines or hydraulic or pneumatic rotating shaft installation, and a compact 119mm outside diameter, features long life, fiber brush contact technology for ultimate performance in many challenging applications. MT50119 series are standard, off-the-shelf products, Color-coded lead wires are used on both the stator and rotor for simplified electrical connections. It can transmit signal (2A), 10A, multiple 10A current when 360° degree free rotating.



## Part# Explanation



## Part# List

MT50119 Series Parts# List							
Part#	10A	Signal or 5A	Length-L (mm)	Part#	10A	Signal or 5A	Length-L (mm)
MT50119-S02	0	2	36	MT50119-S36	0	36	169.2
MT50119-P0210	2	0	36	MT50119-P0610-S30	6	30	169.2
MT50119-S03	0	3	39.8	MT50119-P1210-S24	12	24	169.2
MT50119-P0310	3	0	39.8	MT50119-P3610	36	0	169.2
MT50119-S06	0	6	51.2	MT50119-S42	0	42	192
MT50119-P0210-S04	2	4	51.2	MT50119-P0610-S36	6	36	192
MT50119-P0410-S02	4	2	51.2	MT50119-P1210-S30	12	30	192
MT50119-P0610	6	0	51.2	MT50119-S48	0	48	217.8
MT50119-S12	0	12	74	MT50119-P0610-S42	6	42	217.8
MT50119-P0210-S10	2	10	74	MT50119-P0910-S39	9	39	217.8
MT50119-P0310-S09	3	9	74	MT50119-P1210-S36	12	36	217.8
MT50119-P0610-S06	6	6	74	MT50119-P1810-S30	18	30	217.8
MT50119-P0810-S04	8	4	74	MT50119-P2410-S24	24	24	217.8
MT50119-P1010-S02	10	2	74	MT50119-S60	0	60	263
MT50119-P1210	12	0	74	MT50119-P0610-S54	6	54	263
MT50119-S18	0	18	96.8	MT50119-P0910-S51	9	51	263
MT50119-P0210-S16	2	16	96.8	MT50119-P1210-S48	12	48	263
MT50119-P0410-S14	4	14	96.8	MT50119-S72	0	72	312.6
MT50119-P0610-S12	6	12	96.8	MT50119-P0610-S66	6	66	312.6
MT50119-P0810-S10	8	10	96.8	MT50119-P1210-S60	12	60	312.6
MT50119-P1010-S08	10	8	96.8	MT50119-P2410-S48	24	48	312.6
MT50119-P1210-S06	12	6	96.8	MT50119-P3610-S36	36	36	312.6
MT50119-P1410-S04	14	4	96.8	MT50119-S84	0	84	358.2
MT50119-P1610-S02	16	2	96.8	MT50119-P1210-S72	12	72	358.2
MT50119-S24	0	24	119.6	MT50119-P2410-S60	24	60	358.2
MT50119-P0410-S20	4	20	119.6	MT50119-P3610-S48	36	48	358.2
MT50119-P0610-S18	6	18	119.6	MT50119-S96	0	96	403.8
MT50119-P1210-S12	12	12	119.6	MT50119-P1210-S84	12	84	403.8
MT50119-P1810-S06	18	6	119.6	MT50119-P2410-S72	24	72	403.8
MT50119-P2410	24	0	119.6	MT50119-P3610-S60	36	60	403.8
MT50119-S30	0	30	142.4	MT50119-P4210-S54	42	54	403.8
MT50119-P0610-S24	6	24	142.4	MT50119-S108	0	108	453.4
MT50119-P1210-S18	12	18	142.4	MT50119-P1210-S96	12	96	453.4
MT50119-P1810-S12	18	12	142.4	MT50119-P2410-S84	24	84	453.4
MT50119-P2410-S06	24	6	142.4	MT50119-P3610-S72	36	72	453.4
MT50119-P3010	30	0	142.4	MT50119-P4810-S60	48	60	453.4

Note: N channels 10A rings parallel can be used as 1 channel N\*10A current. For example: 2 rings 10A parallel could be used as 1 wires 20A. 10A,5A (signal) can combine freely in any way.It can be customized based on standard slip ring,please contact customer service for more detmails.

## Specifications

Electrical Data		
Parameter	Value	
	Power	Signal
Rated Voltage	0~690VAC/VDC	0~440VAC/VDC
Insulation Resistance	≥1000MΩ/1000VDC	≥1000MΩ/500VDC
Lead Wires	AWG16#Teflon	AWG22#Teflon
Lead Length	Standard 300mm(adjustable)	
Insulation Strength	1000VAC@50Hz , 60s	
Electrical Noise	<0.01Ω	
Mechanical Data		
Parameter	Value	
Working Life	See Product Quality Level Table	
Rotating Speed	See Product Quality Level Table	
Working Temperature	-30°C~80°C	
Operating Humidity	0~85% RH	
Contact Material	See Product Quality Level Table	
Housing Material	Aluminium Alloy	
Torque	0.1N.m ; +0.03N.m/6rings	
Protection Grade	IP51	

## Product Quality Level Table

Products Level Code	Max Rotating Speed	Working Life	Contact Material
VC	250RPM	20 Million Revs	Precious Metal
VD	600RPM	80 Million Revs	Gold-plated
VH	1000RPM	150 Million Revs	Gold-Gold

## Lead Wires Color Code

Ring	1	2	3	4	5	6	7	8	9	10	11	12
Color	BLK	RED	YEL	GRN	BLU	WHT	BLK	RED	YEL	GRN	BLU	WHT

(6 wires for 1 group color, from 7-12, repeat the same color as 1...6, indicated with number code pipe)

## Options For Custom Slip Ring

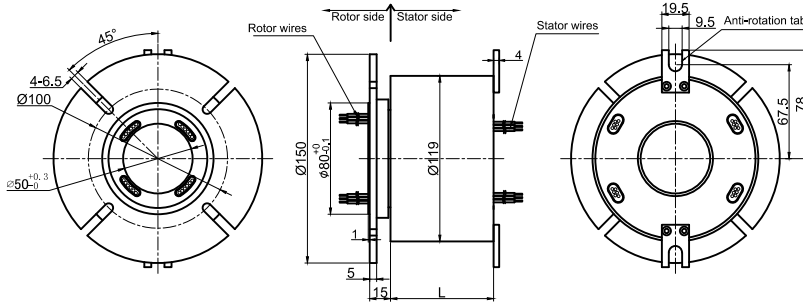
Note: Below special demands can be customized. According, the delivery date will be extended 3 to 15 days; also the cost will be increased 30% to 50%. Most of our basic parts are standard and modular, which can save the cost and lead time.

- ① Cable exit way and cable length can be customized for both rotor and stator.
- ② Because of the structure limitation, length/height/OD can be customized on your request.
- ③ Support current or signal up to 200 rings.
- ④ Aviation plug, terminal and heat-shrink tube are optional.
- ⑤ Hybrid slip ring for Yaskawa/Panasonic/Siemens servo control signal, power line and encoder line.
- ⑥ Support mixed high speed data transmission (including Ethernet, USB, RS232, RS485, Profibus, CanBUS, CANOPEN, DeviceNET, CC-LINK, ProfiNET, EtherCAT, etc.)
- ⑦ Can combine temperature control signal with thermocouple signal.
- ⑧ Special environment can be customized, such as quakeproof, high temperature, etc.
- ⑨ Hybrid Pneumatic/hydraulic and electric slip ring can be mixed.
- ⑩ High temperature can up to 500 degrees.
- ⑪ High pressure can up to 110KV
- ⑫ Rotating speed can up to 10000RPM
- ⑬ Maximum current can up to 5000 amperes.
- ⑭ Military grade
- ⑮ Optional for underwater IP65, IP68.
- ⑯ Optional for stainless steel housing

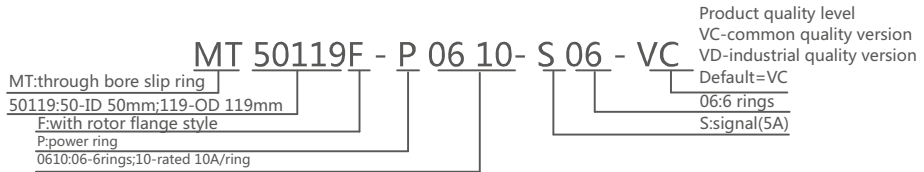
Technical support: technical@moflon.com

# MT50119F Series

MT50119F series provides a 50mm through-bore for routing of hydraulic or pneumatic lines or hydraulic or pneumatic rotating shaft installation, and a compact 119mm outside diameter, features long life, fiber brush contact technology for ultimate performance in many challenging applications. MT50119F series are standard, off-the-shelf products, Color-coded lead wires are used on both the stator and rotor for simplified electrical connections. It can transmit signal (2A), 10A, multiple 10A current when 360° degree free rotating.



## Part# Explanation



## Part# List

MT50119F Series Parts# List							
Part#	10A	Signal or 5A	Length-L (mm)	Part#	10A	Signal or 5A	Length-L (mm)
MT50119F-S02	0	2	36	MT50119F-S36	0	36	169.2
MT50119F-P0210	2	0	36	MT50119F-P0610-S30	6	30	169.2
MT50119F-S03	0	3	39.8	MT50119F-P1210-S24	12	24	169.2
MT50119F-P0310	3	0	39.8	MT50119F-P3610	36	0	169.2
MT50119F-S06	0	6	51.2	MT50119F-S42	0	42	192
MT50119F-P0210-S04	2	4	51.2	MT50119F-P0610-S36	6	36	192
MT50119F-P0410-S02	4	2	51.2	MT50119F-P1210-S30	12	30	192
MT50119F-P0610	6	0	51.2	MT50119F-S48	0	48	217.8
MT50119F-S12	0	12	74	MT50119F-P0610-S42	6	42	217.8
MT50119F-P0210-S10	2	10	74	MT50119F-P0910-S39	9	39	217.8
MT50119F-P0310-S09	3	9	74	MT50119F-P1210-S36	12	36	217.8
MT50119F-P0610-S06	6	6	74	MT50119F-P1810-S30	18	30	217.8
MT50119F-P0810-S04	8	4	74	MT50119F-P2410-S24	24	24	217.8
MT50119F-P1010-S02	10	2	74	MT50119F-S60	0	60	263
MT50119F-P1210	12	0	74	MT50119F-P0610-S54	6	54	263
MT50119F-S18	0	18	96.8	MT50119F-P0910-S51	9	51	263
MT50119F-P0210-S16	2	16	96.8	MT50119F-P1210-S48	12	48	263
MT50119F-P0410-S14	4	14	96.8	MT50119F-S72	0	72	312.6
MT50119F-P0610-S12	6	12	96.8	MT50119F-P0610-S66	6	66	312.6
MT50119F-P0810-S10	8	10	96.8	MT50119F-P1210-S60	12	60	312.6
MT50119F-P1010-S08	10	8	96.8	MT50119F-P2410-S48	24	48	312.6
MT50119F-P1210-S06	12	6	96.8	MT50119F-P3610-S36	36	36	312.6
MT50119F-P1410-S04	14	4	96.8	MT50119F-S84	0	84	358.2
MT50119F-P1610-S02	16	2	96.8	MT50119F-P1210-S72	12	72	358.2
MT50119F-S24	0	24	119.6	MT50119F-P2410-S60	24	60	358.2
MT50119F-P0410-S20	4	20	119.6	MT50119F-P3610-S48	36	48	358.2
MT50119F-P0610-S18	6	18	119.6	MT50119F-S96	0	96	403.8
MT50119F-P1210-S12	12	12	119.6	MT50119F-P1210-S84	12	84	403.8
MT50119F-P1810-S06	18	6	119.6	MT50119F-P2410-S72	24	72	403.8
MT50119F-P2410	24	0	119.6	MT50119F-P3610-S60	36	60	403.8
MT50119F-S30	0	30	142.4	MT50119F-P4210-S54	42	54	403.8
MT50119F-P0610-S24	6	24	142.4	MT50119F-S108	0	108	453.4
MT50119F-P1210-S18	12	18	142.4	MT50119F-P1210-S96	12	96	453.4
MT50119F-P1810-S12	18	12	142.4	MT50119F-P2410-S84	24	84	453.4
MT50119F-P2410-S06	24	6	142.4	MT50119F-P3610-S72	36	72	453.4
MT50119F-P3010	30	0	142.4	MT50119F-P4810-S60	48	60	453.4

Note: N channels 10A rings parallel can be used as 1 channel N\*10A current. For example: 2 rings 10A parallel could be used as 1 wires 20A. 10A,5A (signal) can combine freely in any way.It can be customized based on standard slip ring,please contact customer service for more detmails.

## Specifications

Electrical Data		
Parameter	Value	
	Power	Signal
Rated Voltage	0~690VAC/VDC	0~440VAC/VDC
Insulation Resistance	≥1000MΩ/1000VDC	≥1000MΩ/500VDC
Lead Wires	AWG16#Teflon	AWG22#Teflon
Lead Length	Standard 300mm(adjustable)	
Insulation Strength	1000VAC@50Hz , 60s	
Electrical Noise	<0.01Ω	
Mechanical Data		
Parameter	Value	
Working Life	See Product Quality Level Table	
Rotating Speed	See Product Quality Level Table	
Working Temperature	-30°C~80°C	
Operating Humidity	0~85% RH	
Contact Material	See Product Quality Level Table	
Housing Material	Aluminium Alloy	
Torque	0.1N.m ; +0.03N.m/6rings	
Protection Grade	IP51	

## Product Quality Level Table

Products Level Code	Max Rotating Speed	Working Life	Contact Material
VC	250RPM	20 Million Revs	Precious Metal
VD	600RPM	80 Million Revs	Gold-plated
VH	1000RPM	150 Million Revs	Gold-Gold

## Lead Wires Color Code

Ring	1	2	3	4	5	6	7	8	9	10	11	12
Color	BLK	RED	YEL	GRN	BLU	WHT	BLK	RED	YEL	GRN	BLU	WHT

(6 wires for 1 group color, from 7-12, repeat the same color as 1...6, indicated with number code pipe)

## Options For Custom Slip Ring

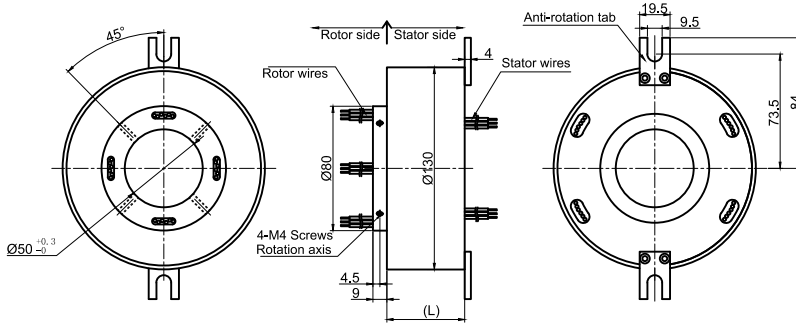
Note: Below special demands can be customized. According, the delivery date will be extended 3 to 15 days; also the cost will be increased 30% to 50%. Most of our basic parts are standard and modular, which can save the cost and lead time.

- ① Cable exit way and cable length can be customized for both rotor and stator.
- ② Because of the structure limitation, length/height/OD can be customized on your request.
- ③ Support current or signal up to 200 rings.
- ④ Aviation plug, terminal and heat-shrink tube are optional.
- ⑤ Hybrid slip ring for Yaskawa/Panasonic/Siemens servo control signal, power line and encoder line.
- ⑥ Support mixed high speed data transmission (including Ethernet, USB, RS232, RS485, Profibus, CanBUS, CANOPEN, DeviceNET, CC-LINK, ProfiNET, EtherCAT, etc.)
- ⑦ Can combine temperature control signal with thermocouple signal.
- ⑧ Special environment can be customized, such as quakeproof, high temperature, etc.
- ⑨ Hybrid Pneumatic/hydraulic and electric slip ring can be mixed.
- ⑩ High temperature can up to 500 degrees.
- ⑪ High pressure can up to 110KV
- ⑫ Rotating speed can up to 10000RPM
- ⑬ Maximum current can up to 5000 amperes.
- ⑭ Military grade
- ⑮ Optional for underwater IP65, IP68.
- ⑯ Optional for stainless steel housing

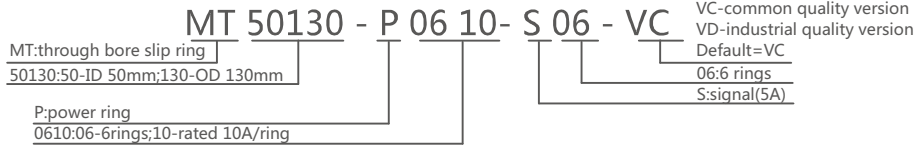
Technical support: [technical@moflon.com](mailto:technical@moflon.com)

# MT50130 Series

MT50130 series provides a 50mm through-bore for routing of hydraulic or pneumatic lines or hydraulic or pneumatic rotating shaft installation, and a compact 130mm outside diameter, features long life, fiber brush contact technology for ultimate performance in many challenging applications. MT50130 series are standard, off-the-shelf products, Color-coded lead wires are used on both the stator and rotor for simplified electrical connections. It can transmit signal (2A), 10A, multiple 10A current when 360° degree free rotating.



## Part# Explanation



## Part# List

MT50130 Series Parts# List							
Part#	10A	Signal or 5A	Length-L (mm)	Part#	10A	Signal or 5A	Length-L (mm)
MT50130-S02	0	2	35.6	MT50130-S48	0	48	207.8
MT50130-P0210	2	0	35.6	MT50130-P0610-S42	6	42	207.8
MT50130-S03	0	3	39.2	MT50130-P0910-S39	9	39	207.8
MT50130-P0310	3	0	39.2	MT50130-P1210-S36	12	36	207.8
MT50130-S06	0	6	50	MT50130-P1810-S30	18	30	207.8
MT50130-P0210-S04	2	4	50	MT50130-P2410-S24	24	24	207.8
MT50130-P0410-S02	4	2	50	MT50130-S60	0	60	251
MT50130-P0610	6	0	50	MT50130-P0610-S54	6	54	251
MT50130-S12	0	12	71.6	MT50130-P0910-S51	9	51	251
MT50130-P0210-S10	2	10	71.6	MT50130-P1210-S48	12	48	251
MT50130-P0310-S09	3	9	71.6	MT50130-S72	0	72	298.2
MT50130-P0610-S06	6	6	71.6	MT50130-P0610-S66	6	66	298.2
MT50130-P0810-S04	8	4	71.6	MT50130-P1210-S60	12	60	298.2
MT50130-P1010-S02	10	2	71.6	MT50130-P2410-S48	24	48	298.2
MT50130-P1210	12	0	71.6	MT50130-P3610-S36	36	36	298.2
MT50130-S18	0	18	93.2	MT50130-S84	0	84	341.4
MT50130-P0210-S16	2	16	93.2	MT50130-P1210-S72	12	72	341.4
MT50130-P0410-S14	4	14	93.2	MT50130-P2410-S60	24	60	341.4
MT50130-P0610-S12	6	12	93.2	MT50130-P3610-S48	36	48	341.4
MT50130-P0810-S10	8	10	93.2	MT50130-S96	0	96	384.6
MT50130-P1010-S08	10	8	93.2	MT50130-P1210-S84	12	84	384.6
MT50130-P1210-S06	12	6	93.2	MT50130-P2410-S72	24	72	384.6
MT50130-P1410-S04	14	4	93.2	MT50130-P3610-S60	36	60	384.6
MT50130-P1610-S02	16	2	93.2	MT50130-P4210-S54	42	54	384.6
MT50130-S24	0	24	114.8	MT50130-S108	0	108	431.8
MT50130-P0410-S20	4	20	114.8	MT50130-P1210-S96	12	96	431.8
MT50130-P0610-S18	6	18	114.8	MT50130-P2410-S84	24	84	431.8
MT50130-P1210-S12	12	12	114.8	MT50130-P3610-S72	36	72	431.8
MT50130-P1810-S06	18	6	114.8	MT50130-S120	0	120	475
MT50130-P2410	24	0	114.8	MT50130-P1210-S108	12	108	475
MT50130-S30	0	30	136.4	MT50130-P2410-S96	24	96	475
MT50130-P0610-S24	6	24	136.4	MT50130-P3610-S84	36	84	475
MT50130-P1210-S18	12	18	136.4	MT50130-P4810-S72	48	72	475
MT50130-P1810-S12	18	12	136.4	MT50130-S132	0	132	518.2
MT50130-P2410-S06	24	6	136.4	MT50130-P1210-S120	12	120	518.2
MT50130-P3010	30	0	136.4	MT50130-P2410-S108	24	108	518.2

MT50130-S36	0	36	162	MT50130-P3610-S96	36	96	518.2
MT50130-P0610-S30	6	30	162	MT50130-P4810-S84	48	84	518.2
MT50130-P1210-S24	12	24	162	MT50130-S144	0	144	561.4
MT50130-P3610	36	0	162	MT50130-P1210-S132	12	132	561.4
MT50130-S42	0	42	186.2	MT50130-P2410-S120	24	120	561.4
MT50130-P0610-S36	6	36	186.2	MT50130-P3610-S108	36	108	561.4
MT50130-P1210-S30	12	30	186.2	MT50130-P4810-S96	48	96	561.4

Note: N channels 10A rings parallel can be used as 1 channel N\*10A current. For example: 2 rings 10A parallel could be used as 1 wires 20A. 10A,5A (signal) can combine freely in any way.It can be customized based on standard slip ring,please contact customer service for more detmails.

## Specifications

Electrical Data	
Parameter	Value
	Power
Rated Voltage	0~690VAC/VDC
Insulation Resistance	≥1000MΩ/1000VDC
Lead Wires	AWG16#Teflon
Lead Length	Standard 300mm(adjustable)
Insulation Strength	1000VAC@50Hz , 60s
Electrical Noise	<0.01Ω
	Mechanical Data
Parameter	Value
Working Life	See Product Quality Level Table
Rotating Speed	See Product Quality Level Table
Working Temperature	-30°C~80°C
Operating Humidity	0~85% RH
Contact Material	See Product Quality Level Table
Housing Material	Aluminium Alloy
Torque	0.1N.m ; +0.03N.m/6rings
Protection Grade	IP51

## Product Quality Level Table

Products Level Code	Max Rotating Speed	Working Life	Contact Material
VC	250RPM	20 Million Revs	Precious Metal
VD	600RPM	80 Million Revs	Gold-plated
VH	1000RPM	150 Million Revs	Gold-Gold

## Lead Wires Color Code

Ring	1	2	3	4	5	6	7	8	9	10	11	12
Color	BLK	RED	YEL	GRN	BLU	WHT	BLK	RED	YEL	GRN	BLU	WHT

(6 wires for 1 group color, from 7-12, repeat the same color as 1...6, indicated with number code pipe)

## Options For Custom Slip Ring

Note: Below special demands can be customized. According, the delivery date will be extended 3 to 15 days; also the cost will be increased 30% to 50%. Most of our basic parts are standard and modular, which can save the cost and lead time.

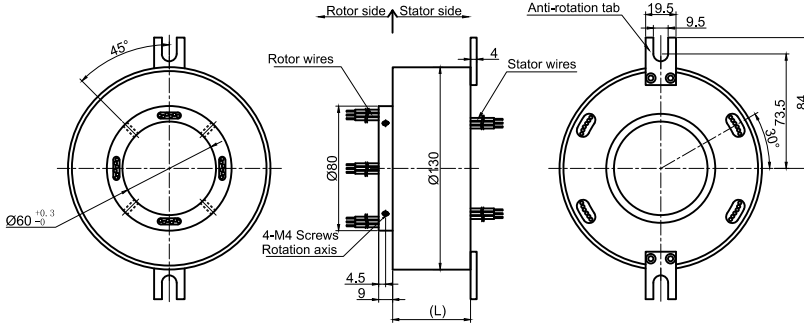
- ① Cable exit way and cable length can be customized for both rotor and stator.
- ② Because of the structure limitation, length/height/OD can be customized on your request.
- ③ Support current or signal up to 200 rings.
- ④ Aviation plug, terminal and heat-shrink tube are optional.
- ⑤ Hybrid slip ring for Yaskawa/Panasonic/Siemens servo control signal, power line and encoder line.
- ⑥ Support mixed high speed data transmission (including Ethernet, USB, RS232, RS485, Profibus, CanBUS, CANOPEN, DeviceNET, CC-LINK, ProfiNET, EtherCAT, etc.)
- ⑦ Can combine temperature control signal with thermocouple signal.
- ⑧ Special environment can be customized, such as quakeproof, high temperature, etc.
- ⑨ Hybrid Pneumatic/hydraulic and electric slip ring can be mixed.
- ⑩ High temperature can up to 500 degrees.
- ⑪ High pressure can up to 110KV
- ⑫ Rotating speed can up to 10000RPM
- ⑬ Maximum current can up to 5000 amperes.
- ⑭ Military grade
- ⑮ Optional for underwater IP65, IP68.
- ⑯ Optional for stainless steel housing

Technical support: technical@moflon.com



# MT60130 Series

MT60130 series provides a 60mm through-bore for routing of hydraulic or pneumatic lines or hydraulic or pneumatic rotating shaft installation, and a compact 130mm outside diameter, features long life, fiber brush contact technology for ultimate performance in many challenging applications. MT60130 series are standard, off-the-shelf products, Color-coded lead wires are used on both the stator and rotor for simplified electrical connections. It can transmit signal(2A), 10A, multiple 10A current when 360° degree free rotating.



## Part# Explanation

**MT 60130 - P 06 10 - S 06 - VC**  
 MT:through bore slip ring  
 60130:60-ID 60mm;130-OD 130mm  
 P:power ring  
 0610:06-6rings;10-rated 10A/ring

Product quality level  
 VC-common quality version  
 VD-industrial quality version  
 Default=VC  
 06:6 rings  
 S:signal(5A)

## Part# List

MT60130 Series Parts# List							
Part#	10A	Signal or 5A	Length-L (mm)	Part#	10A	Signal or 5A	Length-L (mm)
MT60130-S02	0	2	35.6	MT60130-S36	0	36	162
MT60130-P0210	2	0	35.6	MT60130-P0610-S30	6	30	162
MT60130-S03	0	3	39.2	MT60130-P1210-S24	12	24	162
MT60130-P0310	3	0	39.2	MT60130-P3610	36	0	162
MT60130-S06	0	6	50	MT60130-S42	0	42	186.2
MT60130-P0210-S04	2	4	50	MT60130-P0610-S36	6	36	186.2
MT60130-P0410-S02	4	2	50	MT60130-P1210-S30	12	30	186.2
MT60130-P0610	6	0	50	MT60130-S48	0	48	207.8
MT60130-S12	0	12	71.6	MT60130-P0610-S42	6	42	207.8
MT60130-P0210-S10	2	10	71.6	MT60130-P0910-S39	9	39	207.8
MT60130-P0310-S09	3	9	71.6	MT60130-P1210-S36	12	36	207.8
MT60130-P0610-S06	6	6	71.6	MT60130-P1810-S30	18	30	207.8
MT60130-P0810-S04	8	4	71.6	MT60130-P2410-S24	24	24	207.8
MT60130-P1010-S02	10	2	71.6	MT60130-S60	0	60	251
MT60130-P1210	12	0	71.6	MT60130-P0610-S54	6	54	251
MT60130-S18	0	18	93.2	MT60130-P0910-S51	9	51	251
MT60130-P0210-S16	2	16	93.2	MT60130-P1210-S48	12	48	251
MT60130-P0410-S14	4	14	93.2	MT60130-S72	0	72	298.2
MT60130-P0610-S12	6	12	93.2	MT60130-P0610-S66	6	66	298.2
MT60130-P0810-S10	8	10	93.2	MT60130-P1210-S60	12	60	298.2
MT60130-P1010-S08	10	8	93.2	MT60130-P2410-S48	24	48	298.2
MT60130-P1210-S06	12	6	93.2	MT60130-P3610-S36	36	36	298.2
MT60130-P1410-S04	14	4	93.2	MT60130-S84	0	84	341.4
MT60130-P1610-S02	16	2	93.2	MT60130-P1210-S72	12	72	341.4
MT60130-S24	0	24	114.8	MT60130-P2410-S60	24	60	341.4
MT60130-P0410-S20	4	20	114.8	MT60130-P3610-S48	36	48	341.4
MT60130-P0610-S18	6	18	114.8	MT60130-S96	0	96	384.6
MT60130-P1210-S12	12	12	114.8	MT60130-P1210-S84	12	84	384.6
MT60130-P1810-S06	18	6	114.8	MT60130-P2410-S72	24	72	384.6
MT60130-P2410	24	0	114.8	MT60130-P3610-S60	36	60	384.6
MT60130-S30	0	30	136.4	MT60130-P4210-S54	42	54	384.6
MT60130-P0610-S24	6	24	136.4	MT60130-S108	0	108	431.8
MT60130-P1210-S18	12	18	136.4	MT60130-P1210-S96	12	96	431.8
MT60130-P1810-S12	18	12	136.4	MT60130-P2410-S84	24	84	431.8
MT60130-P2410-S06	24	6	136.4	MT60130-P3610-S72	36	72	431.8
MT60130-P3010	30	0	136.4	MT60130-P4810-S60	48	60	431.8

Note: N channels 10A rings parallel can be used as 1 channel N\*10A current. For example: 2 rings 10A parallel could be used as 1 wires 20A. 10A,5A (signal) can combine freely in any way.It can be customized based on standard slip ring,please contact customer service for more detmalls.

## Specifications

Electrical Data		
Parameter	Value	
	Power	Signal
Rated Voltage	0~690VAC/VDC	0~440VAC/VDC
Insulation Resistance	≥1000MΩ/1000VDC	≥1000MΩ/500VDC
Lead Wires	AWG16#Teflon	AWG22#Teflon
Lead Length	Standard 300mm(adjustable)	
Insulation Strength	1000VAC@50Hz , 60s	
Electrical Noise	<0.01Ω	
Mechanical Data		
Parameter	Value	
Working Life	See Product Quality Level Table	
Rotating Speed	See Product Quality Level Table	
Working Temperature	-30°C~80°C	
Operating Humidity	0~85% RH	
Contact Material	See Product Quality Level Table	
Housing Material	Aluminium Alloy	
Torque	0.1N.m ; +0.03N.m/6rings	
Protection Grade	IP51	

## Product Quality Level Table

Products Level Code	Max Rotating Speed	Working Life	Contact Material
VC	250RPM	20 Million Revs	Precious Metal
VD	600RPM	80 Million Revs	Gold-plated
VH	1000RPM	150 Million Revs	Gold-Gold

## Lead Wires Color Code

Ring	1	2	3	4	5	6	7	8	9	10	11	12
Color	BLK	RED	YEL	GRN	BLU	WHT	BLK	RED	YEL	GRN	BLU	WHT

(6 wires for 1 group color, from 7-12, repeat the same color as 1...6, indicated with number code pipe)

## Options For Custom Slip Ring

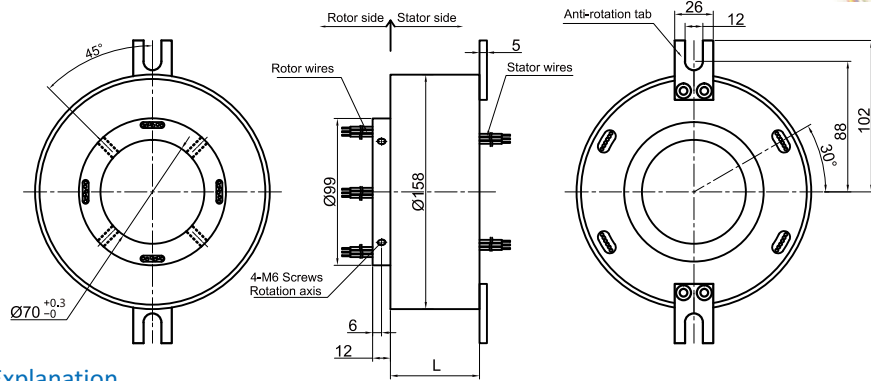
Note: Below special demands can be customized. According, the delivery date will be extended 3 to 15 days; also the cost will be increased 30% to 50%. Most of our basic parts are standard and modular, which can save the cost and lead time.

- ① Cable exit way and cable length can be customized for both rotor and stator.
- ② Because of the structure limitation, length/height/OD can be customized on your request.
- ③ Support current or signal up to 200 rings.
- ④ Aviation plug, terminal and heat-shrink tube are optional.
- ⑤ Hybrid slip ring for Yaskawa/Panasonic/Siemens servo control signal, power line and encoder line.
- ⑥ Support mixed high speed data transmission (including Ethernet, USB, RS232, RS485, Profibus, CanBUS, CANOPEN, DeviceNET, CC-LINK, ProfiNET, EtherCAT, etc.)
- ⑦ Can combine temperature control signal with thermocouple signal.
- ⑧ Special environment can be customized, such as quakeproof, high temperature, etc.
- ⑨ Hybrid Pneumatic/hydraulic and electric slip ring can be mixed.
- ⑩ High temperature can up to 500 degrees.
- ⑪ High pressure can up to 110KV
- ⑫ Rotating speed can up to 10000RPM
- ⑬ Maximum current can up to 5000 amperes.
- ⑭ Military grade
- ⑮ Optional for underwater IP65, IP68.
- ⑯ Optional for stainless steel housing

Technical support: technical@moflon.com

# MT70158 Series

Mt70158 series provides a 70mm through-bore for routing of hydraulic or pneumatic lines or hydraulic or pneumatic rotating shaft installation, and a compact 158mm outside diameter, features long life, fiber brush contact technology for ultimate performance in many challenging applications. MT70158 series are standard, off-the-shelf products, Color-coded lead wires are used on both the stator and rotor for simplified electrical connections. It can transmit signal(2A), 10A, multiple 10A current when 360° degree free rotating.



## Part# Explanation

**MT 70158 - P 06 10 - S 06 - VC**

- MT:through bore slip ring
- 70158:70-ID 70mm;158-OD 158mm
- P:power ring
- 0610:06-6rings;10-rated 10A/ring
- S:signal(5A)
- VC:common quality version
- Product quality level
- VC-common quality version
- VD-industrial quality version
- Default=VC
- 06:6 rings
- S:signal(5A)

## Part# List

MT70158 Series Parts# List							
Part#	10A	Signal or 5A	Length-L (mm)	Part#	10A	Signal or 5A	Length-L (mm)
MT70158-S02	0	2	45.6	MT70158-S36	0	36	172
MT70158-P0210	2	0	45.6	MT70158-P0610-S30	6	30	172
MT70158-S03	0	3	49.2	MT70158-P1210-S24	12	24	172
MT70158-P0310	3	0	49.2	MT70158-P3610	36	0	172
MT70158-S06	0	6	60	MT70158-S42	0	42	193.6
MT70158-P0210-S04	2	4	60	MT70158-P0610-S36	6	36	193.6
MT70158-P0410-S02	4	2	60	MT70158-P1210-S30	12	30	193.6
MT70158-P0610	6	0	60	MT70158-S48	0	48	215.2
MT70158-S12	0	12	81.6	MT70158-P0610-S42	6	42	215.2
MT70158-P0210-S10	2	10	81.6	MT70158-P0910-S39	9	39	215.2
MT70158-P0310-S09	3	9	81.6	MT70158-P1210-S36	12	36	215.2
MT70158-P0610-S06	6	6	81.6	MT70158-P1810-S30	18	30	215.2
MT70158-P0810-S04	8	4	81.6	MT70158-P2410-S24	24	24	215.2
MT70158-P1010-S02	10	2	81.6	MT70158-S60	0	60	270
MT70158-P1210	12	0	81.6	MT70158-P0610-S54	6	54	270
MT70158-S18	0	18	103.2	MT70158-P0910-S51	9	51	270
MT70158-P0210-S16	2	16	103.2	MT70158-P1210-S48	12	48	270
MT70158-P0410-S14	4	14	103.2	MT70158-S72	0	72	317.2
MT70158-P0610-S12	6	12	103.2	MT70158-P0610-S66	6	66	317.2
MT70158-P0810-S10	8	10	103.2	MT70158-P1210-S60	12	60	317.2
MT70158-P1010-S08	10	8	103.2	MT70158-P2410-S48	24	48	317.2
MT70158-P1210-S06	12	6	103.2	MT70158-P3610-S36	36	36	317.2
MT70158-P1410-S04	14	4	103.2	MT70158-S84	0	84	360.4
MT70158-P1610-S02	16	2	103.2	MT70158-P1210-S72	12	72	360.4
MT70158-S24	0	24	124.8	MT70158-P2410-S60	24	60	360.4
MT70158-P0410-S20	4	20	124.8	MT70158-P3610-S48	36	48	360.4
MT70158-P0610-S18	6	18	124.8	MT70158-S96	0	96	407.6
MT70158-P1210-S12	12	12	124.8	MT70158-P1210-S84	12	84	407.6
MT70158-P1810-S06	18	6	124.8	MT70158-P2410-S72	24	72	407.6
MT70158-P2410	24	0	124.8	MT70158-P3610-S60	36	60	407.6
MT70158-S30	0	30	146.4	MT70158-P4210-S54	42	54	407.6
MT70158-P0610-S24	6	24	146.4	MT70158-S108	0	108	450.8
MT70158-P1210-S18	12	18	146.4	MT70158-P1210-S96	12	96	450.8
MT70158-P1810-S12	18	12	146.4	MT70158-P2410-S84	24	84	450.8
MT70158-P2410-S06	24	6	146.4	MT70158-P3610-S72	36	72	450.8
MT70158-P3010	30	0	146.4	MT70158-P4810-S60	48	60	450.8

Note: N channels 10A rings parallel can be used as 1 channel N\*10A current. For example: 2 rings 10A parallel could be used as 1 wires 20A. 10A,5A (signal) can combine freely in any way.It can be customized based on standard slip ring,please contact customer service for more detmalls.

## Specifications

Electrical Data		
Parameter	Value	
	Power	Signal
Rated Voltage	0~690VAC/VDC	0~440VAC/VDC
Insulation Resistance	≥1000MΩ/1000VDC	≥1000MΩ/500VDC
Lead Wires	AWG16#Teflon	AWG22#Teflon
Lead Length	Standard 300mm(adjustable)	
Insulation Strength	1000VAC@50Hz , 60s	
Electrical Noise	<0.01Ω	
Mechanical Data		
Parameter	Value	
Working Life	See Product Quality Level Table	
Rotating Speed	See Product Quality Level Table	
Working Temperature	-30°C~80°C	
Operating Humidity	0~85% RH	
Contact Material	See Product Quality Level Table	
Housing Material	Aluminium Alloy	
Torque	0.1N.m ; +0.03N.m/6rings	
Protection Grade	IP51	

## Product Quality Level Table

Products Level Code	Max Rotating Speed	Working Life	Contact Material
VC	150RPM	10 Million Revs	Precious Metal
VD	400RPM	30 Million Revs	Gold-plated
VH	800RPM	80 Million Revs	Gold-Gold

## Lead Wires Color Code

Ring	1	2	3	4	5	6	7	8	9	10	11	12
Color	BLK	RED	YEL	GRN	BLU	WHT	BLK	RED	YEL	GRN	BLU	WHT

(6 wires for 1 group color, from 7-12, repeat the same color as 1...6, indicated with number code pipe)

## Options For Custom Slip Ring

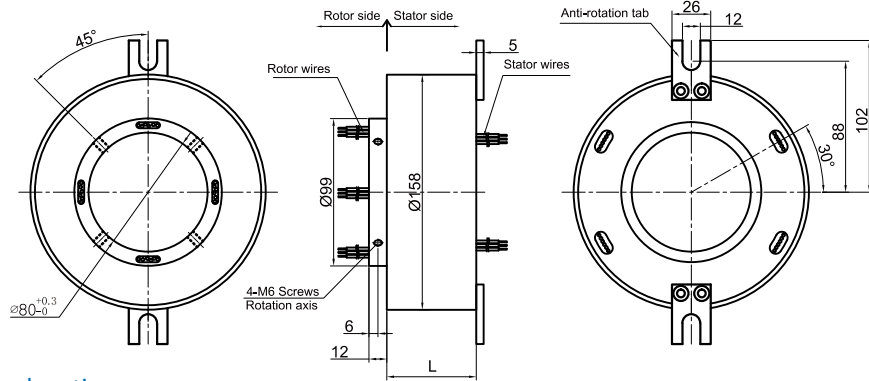
Note: Below special demands can be customized. According, the delivery date will be extended 3 to 15 days; also the cost will be increased 30% to 50%. Most of our basic parts are standard and modular, which can save the cost and lead time.

- ① Cable exit way and cable length can be customized for both rotor and stator.
- ② Because of the structure limitation, length/height/OD can be customized on your request.
- ③ Support current or signal up to 200 rings.
- ④ Aviation plug, terminal and heat-shrink tube are optional.
- ⑤ Hybrid slip ring for Yaskawa/Panasonic/Siemens servo control signal, power line and encoder line.
- ⑥ Support mixed high speed data transmission (including Ethernet, USB, RS232, RS485, Profibus, CanBUS, CANOPEN, DeviceNET, CC-LINK, ProfiNET, EtherCAT, etc.)
- ⑦ Can combine temperature control signal with thermocouple signal.
- ⑧ Special environment can be customized, such as quakeproof, high temperature, etc.
- ⑨ Hybrid Pneumatic/hydraulic and electric slip ring can be mixed.
- ⑩ High temperature can up to 500 degrees.
- ⑪ High pressure can up to 110KV
- ⑫ Rotating speed can up to 10000RPM
- ⑬ Maximum current can up to 5000 amperes.
- ⑭ Military grade
- ⑮ Optional for underwater IP65, IP68.
- ⑯ Optional for stainless steel housing

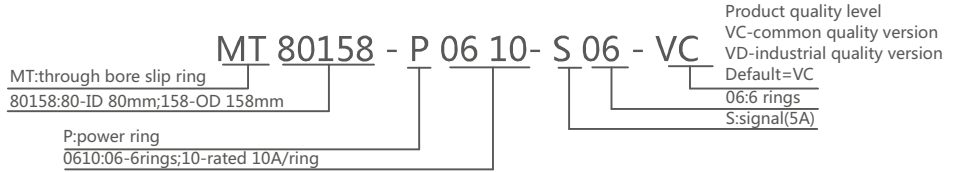
Technical support: technical@moflon.com

# MT80158 Series

MT80158 series provides a 80mm through-bore for routing of hydraulic or pneumatic lines or hydraulic or pneumatic rotating shaft installation, and a compact 158mm outside diameter, features long life, fiber brush contact technology for ultimate performance in many challenging applications. MT80158 series are standard, off-the-shelf products, Color-coded lead wires are used on both the stator and rotor for simplified electrical connections. It can transmit signal(2A), 10A, multiple 10A current when 360° degree free rotating.



### Part# Explanation



### Part# List

MT80158 Series Parts# List							
Part#	10A	Signal or 5A	Length-L (mm)	Part#	10A	Signal or 5A	Length-L (mm)
MT80158-S02	0	2	45.6	MT80158-S36	0	36	172
MT80158-P0210	2	0	45.6	MT80158-P0610-S30	6	30	172
MT80158-S03	0	3	49.2	MT80158-P1210-S24	12	24	172
MT80158-P0310	3	0	49.2	MT80158-P3610	36	0	172
MT80158-S06	0	6	60	MT80158-S42	0	42	193.6
MT80158-P0210-S04	2	4	60	MT80158-P0610-S36	6	36	193.6
MT80158-P0410-S02	4	2	60	MT80158-P1210-S30	12	30	193.6
MT80158-P0610	6	0	60	MT80158-S48	0	48	215.2
MT80158-S12	0	12	81.6	MT80158-P0610-S42	6	42	215.2
MT80158-P0210-S10	2	10	81.6	MT80158-P0910-S39	9	39	215.2
MT80158-P0310-S09	3	9	81.6	MT80158-P1210-S36	12	36	215.2
MT80158-P0610-S06	6	6	81.6	MT80158-P1810-S30	18	30	215.2
MT80158-P0810-S04	8	4	81.6	MT80158-P2410-S24	24	24	215.2
MT80158-P1010-S02	10	2	81.6	MT80158-S60	0	60	270
MT80158-P1210	12	0	81.6	MT80158-P0610-S54	6	54	270
MT80158-S18	0	18	103.2	MT80158-P0910-S51	9	51	270
MT80158-P0210-S16	2	16	103.2	MT80158-P1210-S48	12	48	270
MT80158-P0410-S14	4	14	103.2	MT80158-S72	0	72	317.2
MT80158-P0610-S12	6	12	103.2	MT80158-P0610-S66	6	66	317.2
MT80158-P0810-S10	8	10	103.2	MT80158-P1210-S60	12	60	317.2
MT80158-P1010-S08	10	8	103.2	MT80158-P2410-S48	24	48	317.2
MT80158-P1210-S06	12	6	103.2	MT80158-P3610-S36	36	36	317.2
MT80158-P1410-S04	14	4	103.2	MT80158-S84	0	84	360.4
MT80158-P1610-S02	16	2	103.2	MT80158-P1210-S72	12	72	360.4
MT80158-S24	0	24	124.8	MT80158-P2410-S60	24	60	360.4
MT80158-P0410-S20	4	20	124.8	MT80158-P3610-S48	36	48	360.4
MT80158-P0610-S18	6	18	124.8	MT80158-S96	0	96	407.6
MT80158-P1210-S12	12	12	124.8	MT80158-P1210-S84	12	84	407.6
MT80158-P1810-S06	18	6	124.8	MT80158-P2410-S72	24	72	407.6
MT80158-P2410	24	0	124.8	MT80158-P3610-S60	36	60	407.6
MT80158-S30	0	30	146.4	MT80158-P4210-S54	42	54	407.6
MT80158-P0610-S24	6	24	146.4	MT80158-S108	0	108	450.8
MT80158-P1210-S18	12	18	146.4	MT80158-P1210-S96	12	96	450.8
MT80158-P1810-S12	18	12	146.4	MT80158-P2410-S84	24	84	450.8
MT80158-P2410-S06	24	6	146.4	MT80158-P3610-S72	36	72	450.8
MT80158-P3010	30	0	146.4	MT80158-P4810-S60	48	60	450.8

Note: N channels 10A rings parallel can be used as 1 channel N\*10A current. For example: 2 rings 10A parallel could be used as 1 wires 20A. 10A,5A (signal) can combine freely in any way.It can be customized based on standard slip ring,please contact customer service for more details.

## Specifications

Electrical Data		
Parameter	Value	
	Power	Signal
Rated Voltage	0~690VAC/VDC	0~440VAC/VDC
Insulation Resistance	≥1000MΩ/1000VDC	≥1000MΩ/500VDC
Lead Wires	AWG16#Teflon	AWG22#Teflon
Lead Length	Standard 300mm(adjustable)	
Insulation Strength	1000VAC@50Hz , 60s	
Electrical Noise	<0.01Ω	
Mechanical Data		
Parameter	Value	
Working Life	See Product Quality Level Table	
Rotating Speed	See Product Quality Level Table	
Working temperature	-30°C~80°C	
Operating Humidity	0~85% RH	
Contact Material	See Product Quality Level Table	
Housing Material	Aluminium Alloy	
Torque	0.1N.m ; +0.03N.m/6rings	
Protection grade	IP51	

## Product Quality Level Table

Products Level Code	Max Rotating Speed	Working Life	Contact Material
VC	150RPM	10 Million Revs	Precious Metal
VD	400RPM	30 Million Revs	Gold-plated
VH	800RPM	80 Million Revs	Gold-Gold

## Lead Wires Color Code

Ring	1	2	3	4	5	6	7	8	9	10	11	12
Color	BLK	RED	YEL	GRN	BLU	WHT	BLK	RED	YEL	GRN	BLU	WHT

(6 wires for 1 group color, from 7-12, repeat the same color as 1...6, indicated with number code pipe)

## Options For Custom Slip Ring

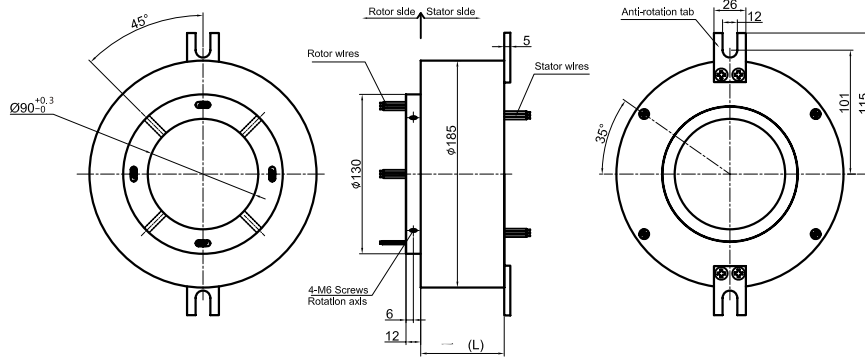
Note: Below special demands can be customized. According, the delivery date will be extended 3 to 15 days; also the cost will be increased 30% to 50%. Most of our basic parts are standard and modular, which can save the cost and lead time.

- ① Cable exit way and cable length can be customized for both rotor and stator.
- ② Because of the structure limitation, length/height/OD can be customized on your request.
- ③ Support current or signal up to 200 rings.
- ④ Aviation plug, terminal and heat-shrink tube are optional.
- ⑤ Hybrid slip ring for Yaskawa/Panasonic/Siemens servo control signal, power line and encoder line.
- ⑥ Support mixed high speed data transmission (including Ethernet, USB, RS232, RS485, Profibus, CanBUS, CANOPEN, DeviceNET, CC-LINK, ProfiNET, EtherCAT, etc.)
- ⑦ Can combine temperature control signal with thermocouple signal.
- ⑧ Special environment can be customized, such as quakeproof, high temperature, etc.
- ⑨ Hybrid Pneumatic/hydraulic and electric slip ring can be mixed.
- ⑩ High temperature can up to 500 degrees.
- ⑪ High pressure can up to 110KV
- ⑫ Rotating speed can up to 10000RPM
- ⑬ Maximum current can up to 5000 amperes.
- ⑭ Military grade
- ⑮ Optional for underwater IP65, IP68.
- ⑯ Optional for stainless steel housing

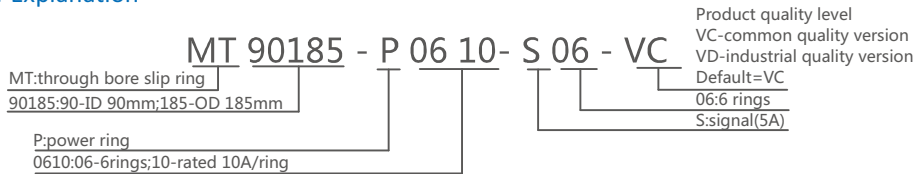
Technical support: [technical@moflon.com](mailto:technical@moflon.com)

# MT90185 Series

MT90185 series provides a 90mm through-bore for routing of hydraulic or pneumatic lines or hydraulic or pneumatic rotating shaft installation, and a compact 185mm outside diameter, features long life, fiber brush contact technology for ultimate performance in many challenging applications. MT90185 series are standard, off-the-shelf products, Color-coded lead wires are used on both the stator and rotor for simplified electrical connections. It can transmit signal(2A), 10A, multiple 10A current when 360° degree free rotating.



## Part# Explanation



## Part# List

MT90185 Series Parts# List							
Part#	10A	Signal or 5A	Length-L (mm)	Part#	10A	Signal or 5A	Length-L (mm)
MT90185-S02	0	2	50	MT90185-S36	0	36	190
MT90185-P0210	2	0	50	MT90185-P0610-S30	6	30	190
MT90185-S03	0	3	54	MT90185-P1210-S24	12	24	190
MT90185-P0310	3	0	54	MT90185-P3610	36	0	190
MT90185-S06	0	6	66	MT90185-S42	0	42	226
MT90185-P0210-S04	2	4	66	MT90185-P0610-S36	6	36	226
MT90185-P0410-S02	4	2	66	MT90185-P1210-S30	12	30	226
MT90185-P0610	6	0	66	MT90185-S48	0	48	250
MT90185-S12	0	12	90	MT90185-P0610-S42	6	42	250
MT90185-P0210-S10	2	10	90	MT90185-P0910-S39	9	39	250
MT90185-P0310-S09	3	9	90	MT90185-P1210-S36	12	36	250
MT90185-P0610-S06	6	6	90	MT90185-P1810-S30	18	30	250
MT90185-P0810-S04	8	4	90	MT90185-P2410-S24	24	24	250
MT90185-P1010-S02	10	2	90	MT90185-S60	0	60	298
MT90185-P1210	12	0	90	MT90185-P0610-S54	6	54	298
MT90185-S18	0	18	114	MT90185-P0910-S51	9	51	298
MT90185-P0210-S16	2	16	114	MT90185-P1210-S48	12	48	298
MT90185-P0410-S14	4	14	114	MT90185-S72	0	72	350
MT90185-P0610-S12	6	12	114	MT90185-P0610-S66	6	66	350
MT90185-P0810-S10	8	10	114	MT90185-P1210-S60	12	60	350
MT90185-P1010-S08	10	8	114	MT90185-P2410-S48	24	48	350
MT90185-P1210-S06	12	6	114	MT90185-P3610-S36	36	36	350
MT90185-P1410-S04	14	4	114	MT90185-S84	0	84	398
MT90185-P1610-S02	16	2	114	MT90185-P1210-S72	12	72	398
MT90185-S24	0	24	138	MT90185-P2410-S60	24	60	398
MT90185-P0410-S20	4	20	138	MT90185-P3610-S48	36	48	398
MT90185-P0610-S18	6	18	138	MT90185-S96	0	96	450
MT90185-P1210-S12	12	12	138	MT90185-P1210-S84	12	84	450
MT90185-P1810-S06	18	6	138	MT90185-P2410-S72	24	72	450
MT90185-P2410	24	0	138	MT90185-P3610-S60	36	60	450
MT90185-S30	0	30	162	MT90185-P4210-S54	42	54	450
MT90185-P0610-S24	6	24	162	MT90185-S108	0	108	498
MT90185-P1210-S18	12	18	162	MT90185-P1210-S96	12	96	498
MT90185-P1810-S12	18	12	162	MT90185-P2410-S84	24	84	498
MT90185-P2410-S06	24	6	162	MT90185-P3610-S72	36	72	498
MT90185-P3010	30	0	162	MT90185-P4810-S60	48	60	498

Note: N channels 10A rings parallel can be used as 1 channel N\*10A current. For example: 2 rings 10A parallel could be used as 1 wires 20A. 10A,5A (signal) can combine freely in any way.It can be customized based on standard slip ring,please contact customer service for more detmalls.

## Specifications

Electrical Data		
Parameter	Value	
	Power	Signal
Rated Voltage	0~690VAC/VDC	0~440VAC/VDC
Insulation Resistance	≥1000MΩ/1000VDC	≥1000MΩ/500VDC
Lead Wires	AWG16#Teflon	AWG22#Teflon
Lead Length	Standard 300mm(adjustable)	
Insulation Strength	1000VAC@50Hz , 60s	
Electrical Noise	<0.01Ω	
Mechanical Data		
Parameter	Value	
Working Life	See Product Quality Level Table	
Rotating Speed	See Product Quality Level Table	
Working Temperature	-30°C~80°C	
Operating Humidity	0~85% RH	
Contact Material	See Product Quality Level Table	
Housing Material	Aluminium Alloy	
Torque	0.1N.m ; +0.03N.m/6rings	
Protection Grade	IP51	

## Product Quality Level Table

Products Level Code	Max Rotating Speed	Working Life	Contact Material
VC	150RPM	10 Million Revs	Precious Metal
VD	400RPM	30 Million Revs	Gold-plated
VH	800RPM	80 Million Revs	Gold-Gold

## Lead Wires Color Code

Ring	1	2	3	4	5	6	7	8	9	10	11	12
Color	BLK	RED	YEL	GRN	BLU	WHT	BLK	RED	YEL	GRN	BLU	WHT

(6 wires for 1 group color, from 7-12, repeat the same color as 1...6, indicated with number code pipe)

## Options For Custom Slip Ring

Note: Below special demands can be customized. According, the delivery date will be extended 3 to 15 days; also the cost will be increased 30% to 50%. Most of our basic parts are standard and modular, which can save the cost and lead time.

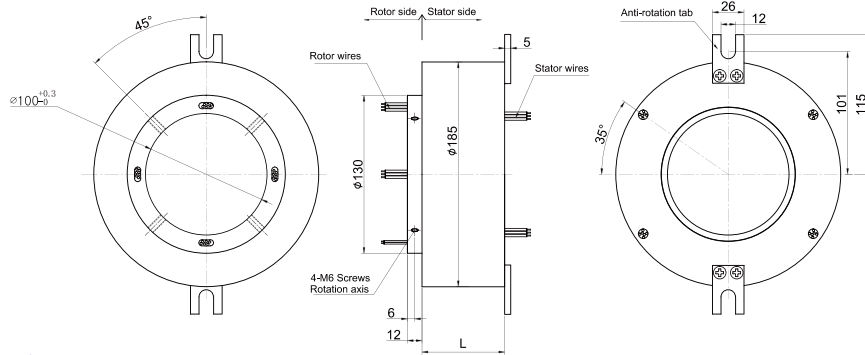
- ① Cable exit way and cable length can be customized for both rotor and stator.
- ② Because of the structure limitation, length/height/OD can be customized on your request.
- ③ Support current or signal up to 200 rings.
- ④ Aviation plug, terminal and heat-shrink tube are optional.
- ⑤ Hybrid slip ring for Yaskawa/Panasonic/Siemens servo control signal, power line and encoder line.
- ⑥ Support mixed high speed data transmission (including Ethernet, USB, RS232, RS485, Profibus, CanBUS, CANOPEN, DeviceNET, CC-LINK, ProfiNET, EtherCAT, etc.)
- ⑦ Can combine temperature control signal with thermocouple signal.
- ⑧ Special environment can be customized, such as quakeproof, high temperature, etc.
- ⑨ Hybrid Pneumatic/hydraulic and electric slip ring can be mixed.
- ⑩ High temperature can up to 500 degrees.
- ⑪ High pressure can up to 110KV
- ⑫ Rotating speed can up to 10000RPM
- ⑬ Maximum current can up to 5000 amperes.
- ⑭ Military grade
- ⑮ Optional for underwater IP65, IP68.
- ⑯ Optional for stainless steel housing

Technical support: [technical@moflon.com](mailto:technical@moflon.com)

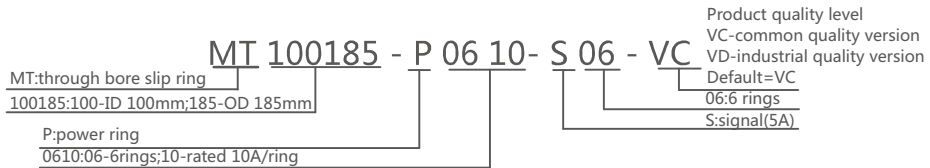


# MT100185 Series

MT100185 series provides a 100mm through-bore for routing of hydraulic or pneumatic lines or hydraulic or pneumatic rotating shaft installation, and a compact 185mm outside diameter, features long life, fiber brush contact technology for ultimate performance in many challenging applications. MT100185 series are standard, off-the-shelf products, Color-coded lead wires are used on both the stator and rotor for simplified electrical connections. It can transmit signal(2A), 10A, multiple 10A current when 360° degree free rotating.



## Part# Explanation



## Part# List

MT100185 Series Parts# List							
Part#	10A	Signal or 5A	Length-L (mm)	Part#	10A	Signal or 5A	Length-L (mm)
MT100185-S02	0	2	50	MT100185-S36	0	36	190
MT100185-P0210	2	0	50	MT100185-P0610-S30	6	30	190
MT100185-S03	0	3	54	MT100185-P1210-S24	12	24	190
MT100185-P0310	3	0	54	MT100185-P3610	36	0	190
MT100185-S06	0	6	66	MT100185-S42	0	42	226
MT100185-P0210-S04	2	4	66	MT100185-P0610-S36	6	36	226
MT100185-P0410-S02	4	2	66	MT100185-P1210-S30	12	30	226
MT100185-P0610	6	0	66	MT100185-S48	0	48	250
MT100185-S12	0	12	90	MT100185-P0610-S42	6	42	250
MT100185-P0210-S10	2	10	90	MT100185-P0910-S39	9	39	250
MT100185-P0310-S09	3	9	90	MT100185-P1210-S36	12	36	250
MT100185-P0610-S06	6	6	90	MT100185-P1810-S30	18	30	250
MT100185-P0810-S04	8	4	90	MT100185-P2410-S24	24	24	250
MT100185-P1010-S02	10	2	90	MT100185-S60	0	60	298
MT100185-P1210	12	0	90	MT100185-P0610-S54	6	54	298
MT100185-S18	0	18	114	MT100185-P0910-S51	9	51	298
MT100185-P0210-S16	2	16	114	MT100185-P1210-S48	12	48	298
MT100185-P0410-S14	4	14	114	MT100185-S72	0	72	350
MT100185-P0610-S12	6	12	114	MT100185-P0610-S66	6	66	350
MT100185-P0810-S10	8	10	114	MT100185-P1210-S60	12	60	350
MT100185-P1010-S08	10	8	114	MT100185-P2410-S48	24	48	350
MT100185-P1210-S06	12	6	114	MT100185-P3610-S36	36	36	350
MT100185-P1410-S04	14	4	114	MT100185-S84	0	84	398
MT100185-P1610-S02	16	2	114	MT100185-P1210-S72	12	72	398
MT100185-S24	0	24	138	MT100185-P2410-S60	24	60	398
MT100185-P0410-S20	4	20	138	MT100185-P3610-S48	36	48	398
MT100185-P0610-S18	6	18	138	MT100185-S96	0	96	450
MT100185-P1210-S12	12	12	138	MT100185-P1210-S84	12	84	450
MT100185-P1810-S06	18	6	138	MT100185-P2410-S72	24	72	450
MT100185-P2410	24	0	138	MT100185-P3610-S60	36	60	450
MT100185-S30	0	30	162	MT100185-P4210-S54	42	54	450
MT100185-P0610-S24	6	24	162	MT100185-S108	0	108	498
MT100185-P1210-S18	12	18	162	MT100185-P1210-S96	12	96	498
MT100185-P1810-S12	18	12	162	MT100185-P2410-S84	24	84	498
MT100185-P2410-S06	24	6	162	MT100185-P3610-S72	36	72	498
MT100185-P3010	30	0	162	MT100185-P4810-S60	48	60	498

Note: N channels 10A rings parallel can be used as 1 channel N\*10A current. For example: 2 rings 10A parallel could be used as 1 wires 20A. 10A,5A (signal) can combine freely in any way.It can be customized based on standard slip ring,please contact customer service for more details.

## Specifications

Electrical Data		
Parameter	Value	
	Power	Signal
Rated Voltage	0~690VAC/VDC	0~440VAC/VDC
Insulation Resistance	≥1000MΩ/1000VDC	≥1000MΩ/500VDC
Lead Wires	AWG16#Teflon	AWG22#Teflon
Lead Length	Standard 300mm(adjustable)	
Insulation Strength	1000VAC@50Hz , 60s	
Electrical Noise	<0.01Ω	
Mechanical Data		
Parameter	Value	
Working Life	See Product Quality Level Table	
Rotating Speed	See Product Quality Level Table	
Working Temperature	-30°C~80°C	
Operating Humidity	0~85% RH	
Contact Material	See Product Quality Level Table	
Housing Material	Aluminium Alloy	
Torque	0.1N.m ; +0.03N.m/6rings	
Protection Grade	IP51	

## Product Quality Level Table

Products Level Code	Max Rotating Speed	Working Life	Contact Material
VC	150RPM	10 Million Revs	Precious Metal
VD	400RPM	30 Million Revs	Gold-plated
VH	800RPM	80 Million Revs	Gold-Gold

## Lead Wires Color Code

Ring	1	2	3	4	5	6	7	8	9	10	11	12
Color	BLK	RED	YEL	GRN	BLU	WHT	BLK	RED	YEL	GRN	BLU	WHT

(6 wires for 1 group color, from 7-12, repeat the same color as 1...6, indicated with number code pipe)

## Options For Custom Slip Ring

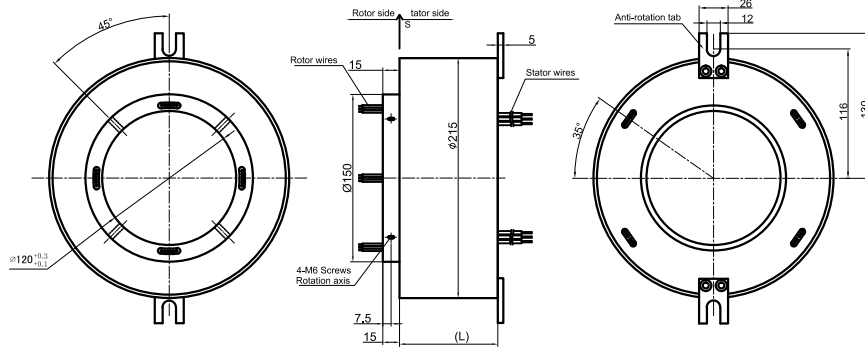
Note: Below special demands can be customized. According, the delivery date will be extended 3 to 15 days; also the cost will be increased 30% to 50%. Most of our basic parts are standard and modular, which can save the cost and lead time.

- ① Cable exit way and cable length can be customized for both rotor and stator.
- ② Because of the structure limitation, length/height/OD can be customized on your request.
- ③ Support current or signal up to 200 rings.
- ④ Aviation plug, terminal and heat-shrink tube are optional.
- ⑤ Hybrid slip ring for Yaskawa/Panasonic/Siemens servo control signal, power line and encoder line.
- ⑥ Support mixed high speed data transmission (including Ethernet, USB, RS232, RS485, Profibus, CanBUS, CANOPEN, DeviceNET, CC-LINK, ProfiNET, EtherCAT, etc.)
- ⑦ Can combine temperature control signal with thermocouple signal.
- ⑧ Special environment can be customized, such as quakeproof, high temperature, etc.
- ⑨ Hybrid Pneumatic/hydraulic and electric slip ring can be mixed.
- ⑩ High temperature can up to 500 degrees.
- ⑪ High pressure can up to 110KV
- ⑫ Rotating speed can up to 10000RPM
- ⑬ Maximum current can up to 5000 amperes.
- ⑭ Military grade
- ⑮ Optional for underwater IP65, IP68.
- ⑯ Optional for stainless steel housing

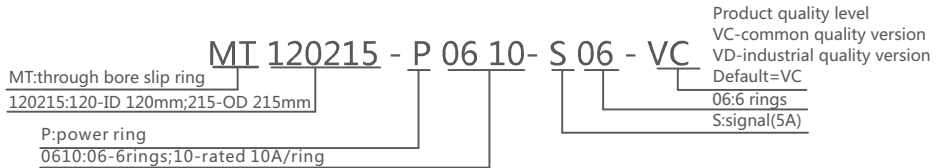
Technical support: [technical@moflon.com](mailto:technical@moflon.com)

# MT120215 Series

MT120185 series provides a 120mm through-bore for routing of hydraulic or pneumatic lines or hydraulic or pneumatic rotating shaft installation, and a compact 215mm outside diameter, features long life, fiber brush contact technology for ultimate performance in many challenging applications. MT120185 series are standard, off-the-shelf products, Color-coded lead wires are used on both the stator and rotor for simplified electrical connections. It can transmit signal(2A), 10A, multiple 10A current when 360° degree free rotating.



## Part# Explanation



## Part# List

MT120215 Series Parts# List							
Part#	10A	Signal or 5A	Length-L (mm)	Part#	10A	Signal or 5A	Length-L (mm)
MT120215-S02	0	2	68	MT120215-S36	0	36	243
MT120215-P0210	2	0	68	MT120215-P0610-S30	6	30	243
MT120215-S03	0	3	73	MT120215-P1210-S24	12	24	243
MT120215-P0310	3	0	73	MT120215-P3610	36	0	243
MT120215-S06	0	6	88	MT120215-S42	0	42	273
MT120215-P0210-S04	2	4	88	MT120215-P0610-S36	6	36	273
MT120215-P0410-S02	4	2	88	MT120215-P1210-S30	12	30	273
MT120215-P0610	6	0	88	MT120215-S48	0	48	303
MT120215-S12	0	12	118	MT120215-P0610-S42	6	42	303
MT120215-P0210-S10	2	10	118	MT120215-P0910-S39	9	39	303
MT120215-P0310-S09	3	9	118	MT120215-P1210-S36	12	36	303
MT120215-P0610-S06	6	6	118	MT120215-P1810-S30	18	30	303
MT120215-P0810-S04	8	4	118	MT120215-P2410-S24	24	24	303
MT120215-P1010-S02	10	2	118	MT120215-S60	0	60	363
MT120215-P1210	12	0	118	MT120215-P0610-S54	6	54	363
MT120215-S18	0	18	148	MT120215-P0910-S51	9	51	363
MT120215-P0210-S16	2	16	148	MT120215-P1210-S48	12	48	363
MT120215-P0410-S14	4	14	148	MT120215-S72	0	72	428
MT120215-P0610-S12	6	12	148	MT120215-P0610-S66	6	66	428
MT120215-P0810-S10	8	10	148	MT120215-P1210-S60	12	60	428
MT120215-P1010-S08	10	8	148	MT120215-P2410-S48	24	48	428
MT120215-P1210-S06	12	6	148	MT120215-P3610-S36	36	36	428
MT120215-P1410-S04	14	4	148	MT120215-S84	0	84	488
MT120215-P1610-S02	16	2	148	MT120215-P1210-S72	12	72	488
MT120215-S24	0	24	178	MT120215-P2410-S60	24	60	488
MT120215-P0410-S20	4	20	178	MT120215-P3610-S48	36	48	488
MT120215-P0610-S18	6	18	178	MT120215-S96	0	96	548
MT120215-P1210-S12	12	12	178	MT120215-P1210-S84	12	84	548
MT120215-P1810-S06	18	6	178	MT120215-P2410-S72	24	72	548
MT120215-P2410	24	0	178	MT120215-P3610-S60	36	60	548
MT120215-S30	0	30	208	MT120215-P4210-S54	42	54	548
MT120215-P0610-S24	6	24	208	MT120215-S108	0	108	613
MT120215-P1210-S18	12	18	208	MT120215-P1210-S96	12	96	613
MT120215-P1810-S12	18	12	208	MT120215-P2410-S84	24	84	613
MT120215-P2410-S06	24	6	208	MT120215-P3610-S72	36	72	613
MT120215-P3010	30	0	208	MT120215-P4810-S60	48	60	613

Note: N channels 10A rings parallel can be used as 1 channel N\*10A current. For example: 2 rings 10A parallel could be used as 1 wires 20A. 10A,5A (signal) can combine freely in any way.It can be customized based on standard slip ring,please contact customer service for more details.

## Specifications

Electrical Data		
Parameter	Value	
	Power	Signal
Rated Voltage	0~690VAC/VDC	0~440VAC/VDC
Insulation Resistance	≥1000MΩ/1000VDC	≥1000MΩ/500VDC
Lead Wires	AWG16#Teflon	AWG22#Teflon
Lead Length	Standard 300mm(adjustable)	
Insulation Strength	1000VAC@50Hz , 60s	
Electrical Noise	<0.01Ω	
Mechanical Data		
Parameter	Value	
Working Life	See Product Quality Level Table	
Rotating Speed	See Product Quality Level Table	
Working Temperature	-30°C~80°C	
Operating Humidity	0~85% RH	
Contact Material	See Product Quality Level Table	
Housing Material	Aluminium Alloy	
Torque	0.1N.m ; +0.03N.m/6rings	
Protection Grade	IP51	

## Product Quality Level Table

Products Level Code	Max Rotating Speed	Working Life	Contact Material
VC	150RPM	10 Million Revs	Precious Metal
VD	250RPM	20 Million Revs	Gold-plated

## Lead Wires Color Code

Ring	1	2	3	4	5	6	7	8	9	10	11	12
Color	BLK	RED	YEL	GRN	BLU	WHT	BLK	RED	YEL	GRN	BLU	WHT

(6 wires for 1 group color, from 7-12, repeat the same color as 1...6, indicated with number code pipe)

## Options For Custom Slip Ring

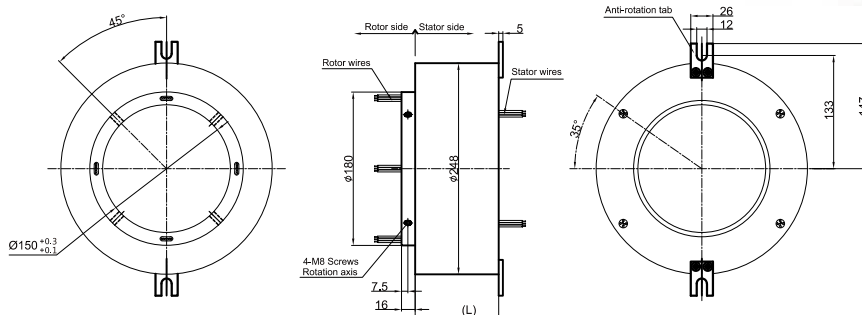
Note: Below special demands can be customized. According, the delivery date will be extended 3 to 15 days; also the cost will be increased 30% to 50%. Most of our basic parts are standard and modular, which can save the cost and lead time.

- ① Cable exit way and cable length can be customized for both rotor and stator.
- ② Because of the structure limitation, length/height/OD can be customized on your request.
- ③ Support current or signal up to 200 rings.
- ④ Aviation plug, terminal and heat-shrink tube are optional.
- ⑤ Hybrid slip ring for Yaskawa/Panasonic/Siemens servo control signal, power line and encoder line.
- ⑥ Support mixed high speed data transmission (including Ethernet, USB, RS232, RS485, Profibus, CanBUS, CANOPEN, DeviceNET, CC-LINK, ProfiNET, EtherCAT, etc.)
- ⑦ Can combine temperature control signal with thermocouple signal.
- ⑧ Special environment can be customized, such as quakeproof, high temperature, etc.
- ⑨ Hybrid Pneumatic/hydraulic and electric slip ring can be mixed.
- ⑩ High temperature can up to 500 degrees.
- ⑪ High pressure can up to 110KV
- ⑫ Rotating speed can up to 10000RPM
- ⑬ Maximum current can up to 5000 amperes.
- ⑭ Military grade
- ⑮ Optional for underwater IP65, IP68.
- ⑯ Optional for stainless steel housing

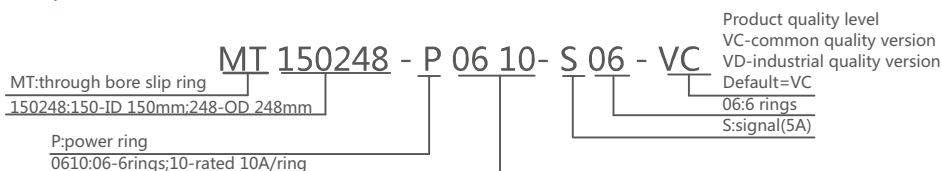
Technical support: technical@moflon.com

# MT150248 Series

MT150248 series provides a 150mm through-bore for routing of hydraulic or pneumatic lines or hydraulic or pneumatic rotating shaft installation, and a compact 248mm outside diameter, features long life, fiber brush contact technology for ultimate performance in many challenging applications. MT150248 series are standard, off-the-shelf products, Color-coded lead wires are used on both the stator and rotor for simplified electrical connections. It can transmit signal(2A), 10A, multiple 10A current when 360° degree free rotating.



## Part# Explanation



## Part# List

MT150248 Series Parts# List							
Part#	10A	Signal or 5A	Length-L (mm)	Part#	10A	Signal or 5A	Length-L (mm)
MT150248-S02	0	2	74	MT150248-S36	0	36	284
MT150248-P0210	2	0	74	MT150248-P0610-S30	6	30	284
MT150248-S03	0	3	80	MT150248-P1210-S24	12	24	284
MT150248-P0310	3	0	80	MT150248-P3610	36	0	284
MT150248-S06	0	6	98	MT150248-S42	0	42	320
MT150248-P0210-S04	2	4	98	MT150248-P0610-S36	6	36	320
MT150248-P0410-S02	4	2	98	MT150248-P1210-S30	12	30	320
MT150248-P0610	6	0	98	MT150248-S48	0	48	356
MT150248-S12	0	12	134	MT150248-P0610-S42	6	42	356
MT150248-P0210-S10	2	10	134	MT150248-P0910-S39	9	39	356
MT150248-P0310-S09	3	9	134	MT150248-P1210-S36	12	36	356
MT150248-P0610-S06	6	6	134	MT150248-P1810-S30	18	30	356
MT150248-P0810-S04	8	4	134	MT150248-P2410-S24	24	24	356
MT150248-P1010-S02	10	2	134	MT150248-S60	0	60	428
MT150248-P1210	12	0	134	MT150248-P0610-S54	6	54	428
MT150248-S18	0	18	170	MT150248-P0910-S51	9	51	428
MT150248-P0210-S16	2	16	170	MT150248-P1210-S48	12	48	428
MT150248-P0410-S14	4	14	170	MT150248-S72	0	72	506
MT150248-P0610-S12	6	12	170	MT150248-P0610-S66	6	66	506
MT150248-P0810-S10	8	10	170	MT150248-P1210-S60	12	60	506
MT150248-P1010-S08	10	8	170	MT150248-P2410-S48	24	48	506
MT150248-P1210-S06	12	6	170	MT150248-P3610-S36	36	36	506
MT150248-P1410-S04	14	4	170	MT150248-S84	0	84	578
MT150248-P1610-S02	16	2	170	MT150248-P1210-S72	12	72	578
MT150248-S24	0	24	206	MT150248-P2410-S60	24	60	578
MT150248-P0410-S20	4	20	206	MT150248-P3610-S48	36	48	578
MT150248-P0610-S18	6	18	206	MT150248-S96	0	96	650
MT150248-P1210-S12	12	12	206	MT150248-P1210-S84	12	84	650
MT150248-P1810-S06	18	6	206	MT150248-P2410-S72	24	72	650
MT150248-P2410	24	0	206	MT150248-P3610-S60	36	60	650
MT150248-S30	0	30	242	MT150248-P4210-S54	42	54	650
MT150248-P0610-S24	6	24	242	MT150248-S108	0	108	728
MT150248-P1210-S18	12	18	242	MT150248-P1210-S96	12	96	728
MT150248-P1810-S12	18	12	242	MT150248-P2410-S84	24	84	728
MT150248-P2410-S06	24	6	242	MT150248-P3610-S72	36	72	728
MT150248-P3010	30	0	242	MT150248-P4810-S60	48	60	728

Note: N channels 10A rings parallel can be used as 1 channel N\*10A current. For example: 2 rings 10A parallel could be used as 1 wires 20A. 10A,5A (signal) can combine freely in any way.It can be customized based on standard slip ring,please contact customer service for more detmalls.

## Specifications

Electrical Data		
Parameter	Value	
	Power	Signal
Rated Voltage	0~690VAC/VDC	0~440VAC/VDC
Insulation Resistance	≥1000MΩ/1000VDC	≥1000MΩ/500VDC
Lead Wires	AWG16#Teflon	AWG22#Teflon
Lead Length	Standard 300mm(adjustable)	
Insulation Strength	1000VAC@50Hz , 60s	
Electrical Noise	<0.01Ω	
Mechanical Data		
Parameter	Value	
Working Life	See Product Quality Level Table	
Rotating Speed	See Product Quality Level Table	
Working Temperature	-30°C~80°C	
Operating Humidity	0~85% RH	
Contact Material	See Product Quality Level Table	
Housing Material	Aluminium Alloy	
Torque	0.1N.m ; +0.03N.m/6rings	
Protection Grade	IP51	

## Product Quality Level Table

Products Level Code	Max Rotating Speed	Working Life	Contact Material
VC	150RPM	10 Million Revs	Precious Metal
VD	250RPM	20 Million Revs	Gold-plated

## Lead Wires Color Code

Ring	1	2	3	4	5	6	7	8	9	10	11	12
Color	BLK	RED	YEL	GRN	BLU	WHT	BLK	RED	YEL	GRN	BLU	WHT

(6 wires for 1 group color, from 7-12, repeat the same color as 1...6, indicated with number code pipe)

## Options For Custom Slip Ring

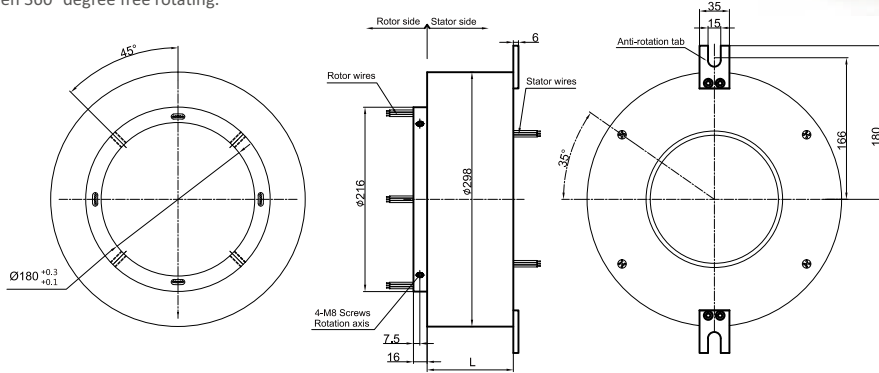
Note: Below special demands can be customized. According, the delivery date will be extended 3 to 15 days; also the cost will be increased 30% to 50%. Most of our basic parts are standard and modular, which can save the cost and lead time.

- ① Cable exit way and cable length can be customized for both rotor and stator.
- ② Because of the structure limitation, length/height/OD can be customized on your request.
- ③ Support current or signal up to 200 rings.
- ④ Aviation plug, terminal and heat-shrink tube are optional.
- ⑤ Hybrid slip ring for Yaskawa/Panasonic/Siemens servo control signal, power line and encoder line.
- ⑥ Support mixed high speed data transmission (including Ethernet, USB, RS232, RS485, Profibus, CanBUS, CANOPEN, DeviceNET, CC-LINK, ProfiNET, EtherCAT, etc.)
- ⑦ Can combine temperature control signal with thermocouple signal.
- ⑧ Special environment can be customized, such as quakeproof, high temperature, etc.
- ⑨ Hybrid Pneumatic/hydraulic and electric slip ring can be mixed.
- ⑩ High temperature can up to 500 degrees.
- ⑪ High pressure can up to 110KV
- ⑫ Rotating speed can up to 10000RPM
- ⑬ Maximum current can up to 5000 amperes.
- ⑭ Military grade
- ⑮ Optional for underwater IP65, IP68.
- ⑯ Optional for stainless steel housing

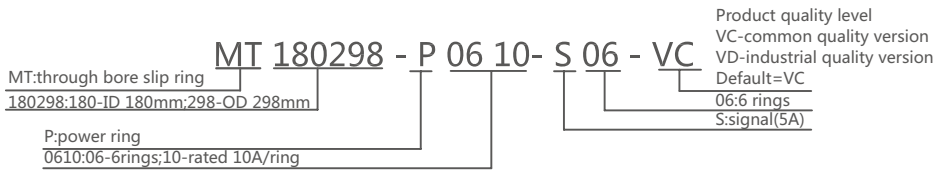
Technical support: [technical@moflon.com](mailto:technical@moflon.com)

# MT180298 Series

MT180298 series provides a 180mm through-bore for routing of hydraulic or pneumatic lines or hydraulic or pneumatic rotating shaft installation, and a compact 298mm outside diameter, features long life, fiber brush contact technology for ultimate performance in many challenging applications. MT180298 series are standard, off-the-shelf products, Color-coded lead wires are used on both the stator and rotor for simplified electrical connections. It can transmit signal(2A), 10A, multiple 10A current when 360° degree free rotating.



## Part# Explanation



## Part# List

MT180298 Series Parts# List							
Part#	10A	Signal or 5A	Length-L (mm)	Part#	10A	Signal or 5A	Length-L (mm)
MT180298-S02	0	2	77	MT180298-S36	0	36	287
MT180298-P0210	2	0	77	MT180298-P0610-S30	6	30	287
MT180298-S03	0	3	83	MT180298-P1210-S24	12	24	287
MT180298-P0310	3	0	83	MT180298-P3610	36	0	287
MT180298-S06	0	6	101	MT180298-S42	0	42	323
MT180298-P0210-S04	2	4	101	MT180298-P0610-S36	6	36	323
MT180298-P0410-S02	4	2	101	MT180298-P1210-S30	12	30	323
MT180298-P0610	6	0	101	MT180298-S48	0	48	359
MT180298-S12	0	12	137	MT180298-P0610-S42	6	42	359
MT180298-P0210-S10	2	10	137	MT180298-P0910-S39	9	39	359
MT180298-P0310-S09	3	9	137	MT180298-P1210-S36	12	36	359
MT180298-P0610-S06	6	6	137	MT180298-P1810-S30	18	30	359
MT180298-P0810-S04	8	4	137	MT180298-P2410-S24	24	24	359
MT180298-P1010-S02	10	2	137	MT180298-S60	0	60	431
MT180298-P1210	12	0	137	MT180298-P0610-S54	6	54	431
MT180298-S18	0	18	173	MT180298-P0910-S51	9	51	431
MT180298-P0210-S16	2	16	173	MT180298-P1210-S48	12	48	431
MT180298-P0410-S14	4	14	173	MT180298-S72	0	72	509
MT180298-P0610-S12	6	12	173	MT180298-P0610-S66	6	66	509
MT180298-P0810-S10	8	10	173	MT180298-P1210-S60	12	60	509
MT180298-P1010-S08	10	8	173	MT180298-P2410-S48	24	48	509
MT180298-P1210-S06	12	6	173	MT180298-P3610-S36	36	36	509
MT180298-P1410-S04	14	4	173	MT180298-S84	0	84	581
MT180298-P1610-S02	16	2	173	MT180298-P1210-S72	12	72	581
MT180298-S24	0	24	209	MT180298-P2410-S60	24	60	581
MT180298-P0410-S20	4	20	209	MT180298-P3610-S48	36	48	581
MT180298-P0610-S18	6	18	209	MT180298-S96	0	96	653
MT180298-P1210-S12	12	12	209	MT180298-P1210-S84	12	84	653
MT180298-P1810-S06	18	6	209	MT180298-P2410-S72	24	72	653
MT180298-P2410	24	0	209	MT180298-P3610-S60	36	60	653
MT180298-S30	0	30	245	MT180298-P4210-S54	42	54	653
MT180298-P0610-S24	6	24	245	MT180298-S108	0	108	731
MT180298-P1210-S18	12	18	245	MT180298-P1210-S96	12	96	731
MT180298-P1810-S12	18	12	245	MT180298-P2410-S84	24	84	731
MT180298-P2410-S06	24	6	245	MT180298-P3610-S72	36	72	731
MT180298-P3010	30	0	245	MT180298-P4810-S60	48	60	731

Note: N channels 10A rings parallel can be used as 1 channel N\*10A current. For example: 2 rings 10A parallel could be used as 1 wires 20A. 10A,5A (signal) can combine freely in any way.It can be customized based on standard slip ring,please contact customer service for more details.

## Specifications

Electrical Data		
Parameter	Value	
	Power	Signal
Rated Voltage	0~690VAC/VDC	0~440VAC/VDC
Insulation Resistance	≥1000MΩ/1000VDC	≥1000MΩ/500VDC
Lead Wires	AWG16#Teflon	AWG22#Teflon
Lead Length	Standard 300mm(adjustable)	
Insulation Strength	1000VAC@50Hz , 60s	
Electrical Noise	<0.01Ω	
Mechanical Data		
Parameter	Value	
Working Life	See Product Quality Level Table	
Rotating Speed	See Product Quality Level Table	
Working Temperature	-30°C~80°C	
Operating Humidity	0~85% RH	
Contact Material	See Product Quality Level Table	
Housing Material	Aluminium Alloy	
Torque	0.1N.m ; +0.03N.m/6rings	
Protection Grade	IP51	

## Product Quality Level Table

Products Level Code	Max Rotating Speed	Working Life	Contact Material
VC	150RPM	10 Million Revs	Precious Metal
VD	250RPM	20 Million Revs	Gold-plated

## Lead Wires Color Code

Ring	1	2	3	4	5	6	7	8	9	10	11	12
Color	BLK	RED	YEL	GRN	BLU	WHT	BLK	RED	YEL	GRN	BLU	WHT

(6 wires for 1 group color, from 7-12, repeat the same color as 1...6, indicated with number code pipe)

## Options For Custom Slip Ring

Note: Below special demands can be customized. According, the delivery date will be extended 3 to 15 days; also the cost will be increased 30% to 50%. Most of our basic parts are standard and modular, which can save the cost and lead time.

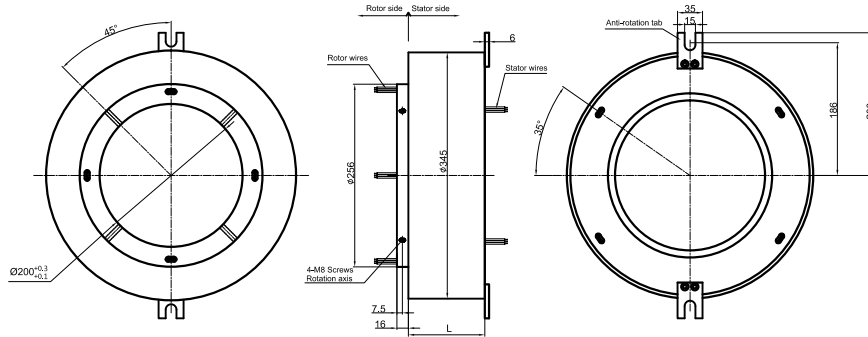
- ① Cable exit way and cable length can be customized for both rotor and stator.
- ② Because of the structure limitation, length/height/OD can be customized on your request.
- ③ Support current or signal up to 200 rings.
- ④ Aviation plug, terminal and heat-shrink tube are optional.
- ⑤ Hybrid slip ring for Yaskawa/Panasonic/Siemens servo control signal, power line and encoder line.
- ⑥ Support mixed high speed data transmission (including Ethernet, USB, RS232, RS485, Profibus, CanBUS, CANOPEN, DeviceNET, CC-LINK, ProfiNET, EtherCAT, etc.)
- ⑦ Can combine temperature control signal with thermocouple signal.
- ⑧ Special environment can be customized, such as quakeproof, high temperature, etc.
- ⑨ Hybrid Pneumatic/hydraulic and electric slip ring can be mixed.
- ⑩ High temperature can up to 500 degrees.
- ⑪ High pressure can up to 110KV
- ⑫ Rotating speed can up to 10000RPM
- ⑬ Maximum current can up to 5000 amperes.
- ⑭ Military grade
- ⑮ Optional for underwater IP65, IP68.
- ⑯ Optional for stainless steel housing

Technical support: [technical@moflon.com](mailto:technical@moflon.com)

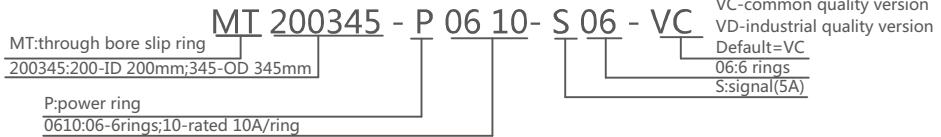


# MT200345 Series

MT200345 series provides a 200mm through-bore for routing of hydraulic or pneumatic lines or hydraulic or pneumatic rotating shaft installation, and a compact 345mm outside diameter, features long life, fiber brush contact technology for ultimate performance in many challenging applications. MT200345 series are standard, off-the-shelf products, Color-coded lead wires are used on both the stator and rotor for simplified electrical connections. It can transmit signal(2A), 10A, multiple 10A current when 360° degree free rotating.



## Part# Explanation



## Part# List

MT200345 Series Parts# List							
Part#	10A	Signal or 5A	Length-L (mm)	Part#	10A	Signal or 5A	Length-L (mm)
MT200345-S02	0	2	83	MT200345-S36	0	36	293
MT200345-P0210	2	0	83	MT200345-P0610-S30	6	30	293
MT200345-S03	0	3	89	MT200345-P1210-S24	12	24	293
MT200345-P0310	3	0	89	MT200345-P3610	36	0	293
MT200345-S06	0	6	107	MT200345-S42	0	42	329
MT200345-P0210-S04	2	4	107	MT200345-P0610-S36	6	36	329
MT200345-P0410-S02	4	2	107	MT200345-P1210-S30	12	30	329
MT200345-P0610	6	0	107	MT200345-S48	0	48	365
MT200345-S12	0	12	143	MT200345-P0610-S42	6	42	365
MT200345-P0210-S10	2	10	143	MT200345-P0910-S39	9	39	365
MT200345-P0310-S09	3	9	143	MT200345-P1210-S36	12	36	365
MT200345-P0610-S06	6	6	143	MT200345-P1810-S30	18	30	365
MT200345-P0810-S04	8	4	143	MT200345-P2410-S24	24	24	365
MT200345-P1010-S02	10	2	143	MT200345-S60	0	60	437
MT200345-P1210	12	0	143	MT200345-P0610-S54	6	54	437
MT200345-S18	0	18	179	MT200345-P0910-S51	9	51	437
MT200345-P0210-S16	2	16	179	MT200345-P1210-S48	12	48	437
MT200345-P0410-S14	4	14	179	MT200345-S72	0	72	515
MT200345-P0610-S12	6	12	179	MT200345-P0610-S66	6	66	515
MT200345-P0810-S10	8	10	179	MT200345-P1210-S60	12	60	515
MT200345-P1010-S08	10	8	179	MT200345-P2410-S48	24	48	515
MT200345-P1210-S06	12	6	179	MT200345-P3610-S36	36	36	515
MT200345-P1410-S04	14	4	179	MT200345-S84	0	84	587
MT200345-P1610-S02	16	2	179	MT200345-P1210-S72	12	72	587
MT200345-S24	0	24	215	MT200345-P2410-S60	24	60	587
MT200345-P0410-S20	4	20	215	MT200345-P3610-S48	36	48	587
MT200345-P0610-S18	6	18	215	MT200345-S96	0	96	659
MT200345-P1210-S12	12	12	215	MT200345-P1210-S84	12	84	659
MT200345-P1810-S06	18	6	215	MT200345-P2410-S72	24	72	659
MT200345-P2410	24	0	215	MT200345-P3610-S60	36	60	659
MT200345-S30	0	30	251	MT200345-P4210-S54	42	54	659
MT200345-P0610-S24	6	24	251	MT200345-S108	0	108	737
MT200345-P1210-S18	12	18	251	MT200345-P1210-S96	12	96	737
MT200345-P1810-S12	18	12	251	MT200345-P2410-S84	24	84	737
MT200345-P2410-S06	24	6	251	MT200345-P3610-S72	36	72	737
MT200345-P3010	30	0	251	MT200345-P4810-S60	48	60	737

Note: N channels 10A rings parallel can be used as 1 channel N\*10A current. For example: 2 rings 10A parallel could be used as 1 wires 20A. 10A,5A (signal) can combine freely in any way.It can be customized based on standard slip ring,please contact customer service for more detmalls.

## Specifications

Electrical Data		
Parameter	Value	
	Power	Signal
Rated Voltage	0~690VAC/VDC	0~440VAC/VDC
Insulation Resistance	≥1000MΩ/1000VDC	≥1000MΩ/500VDC
Lead Wires	AWG16#Teflon	AWG22#Teflon
Lead Length	Standard 300mm(adjustable)	
Insulation Strength	1000VAC@50Hz , 60s	
Electrical Noise	<0.01Ω	
Mechanical Data		
Parameter	Value	
Working Life	See Product Quality Level Table	
Rotating Speed	See Product Quality Level Table	
Working Temperature	-30°C~80°C	
Operating Humidity	0~85% RH	
Contact Material	See Product Quality Level Table	
Housing Material	Aluminium Alloy	
Torque	0.1N.m ; +0.03N.m/6rings	
Protection Grade	IP51	

## Product Quality Level Table

Products Level Code	Max Rotating Speed	Working Life	Contact Material
VC	150RPM	10 Million Revs	Precious Metal
VD	250RPM	20 Million Revs	Gold-plated

## Lead Wires Color Code

Ring	1	2	3	4	5	6	7	8	9	10	11	12
Color	BLK	RED	YEL	GRN	BLU	WHT	BLK	RED	YEL	GRN	BLU	WHT

(6 wires for 1 group color, from 7-12, repeat the same color as 1...6, indicated with number code pipe)

## Options For Custom Slip Ring

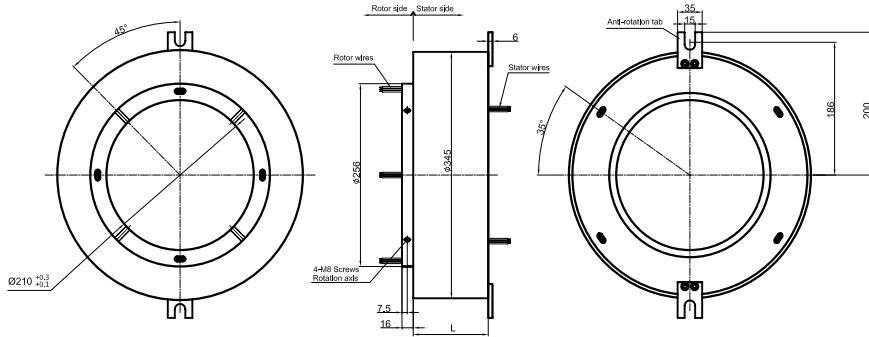
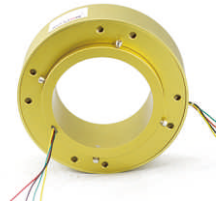
Note: Below special demands can be customized. According, the delivery date will be extended 3 to 15 days; also the cost will be increased 30% to 50%. Most of our basic parts are standard and modular, which can save the cost and lead time.

- ① Cable exit way and cable length can be customized for both rotor and stator.
- ② Because of the structure limitation, length/height/OD can be customized on your request.
- ③ Support current or signal up to 200 rings.
- ④ Aviation plug, terminal and heat-shrink tube are optional.
- ⑤ Hybrid slip ring for Yaskawa/Panasonic/Siemens servo control signal, power line and encoder line.
- ⑥ Support mixed high speed data transmission (including Ethernet, USB, RS232, RS485, Profibus, CanBUS, CANOPEN, DeviceNET, CC-LINK, ProfiNET, EtherCAT, etc.)
- ⑦ Can combine temperature control signal with thermocouple signal.
- ⑧ Special environment can be customized, such as quakeproof, high temperature, etc.
- ⑨ Hybrid Pneumatic/hydraulic and electric slip ring can be mixed.
- ⑩ High temperature can up to 500 degrees.
- ⑪ High pressure can up to 110KV
- ⑫ Rotating speed can up to 10000RPM
- ⑬ Maximum current can up to 5000 amperes.
- ⑭ Military grade
- ⑮ Optional for underwater IP65, IP68.
- ⑯ Optional for stainless steel housing

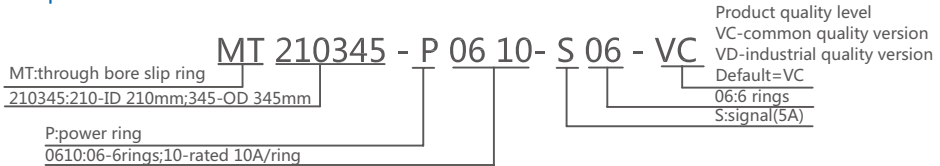
Technical support: technical@moflon.com

# MT210345 Series

MT210345 series provides a 210mm through-bore for routing of hydraulic or pneumatic lines or hydraulic or pneumatic rotating shaft installation, and a compact 345mm outside diameter, features long life, fiber brush contact technology for ultimate performance in many challenging applications. MT210345 series are standard, off-the-shelf products, Color-coded lead wires are used on both the stator and rotor for simplified electrical connections. It can transmit signal(2A), 10A, multiple 10A current when 360° degree free rotating.



## Part# Explanation



## Part# List

MT210345 Series Parts# List							
Part#	10A	Signal or 5A	Length-L (mm)	Part#	10A	Signal or 5A	Length-L (mm)
MT210345-S02	0	2	83	MT210345-S36	0	36	293
MT210345-P0210	2	0	83	MT210345-P0610-S30	6	30	293
MT210345-S03	0	3	89	MT210345-P1210-S24	12	24	293
MT210345-P0310	3	0	89	MT210345-P3610	36	0	293
MT210345-S06	0	6	107	MT210345-S42	0	42	329
MT210345-P0210-S04	2	4	107	MT210345-P0610-S36	6	36	329
MT210345-P0410-S02	4	2	107	MT210345-P1210-S30	12	30	329
MT210345-P0610	6	0	107	MT210345-S48	0	48	365
MT210345-S12	0	12	143	MT210345-P0610-S42	6	42	365
MT210345-P0210-S10	2	10	143	MT210345-P0910-S39	9	39	365
MT210345-P0310-S09	3	9	143	MT210345-P1210-S36	12	36	365
MT210345-P0610-S06	6	6	143	MT210345-P1810-S30	18	30	365
MT210345-P0810-S04	8	4	143	MT210345-P2410-S24	24	24	365
MT210345-P1010-S02	10	2	143	MT210345-S60	0	60	437
MT210345-P1210	12	0	143	MT210345-P0610-S54	6	54	437
MT210345-S18	0	18	179	MT210345-P0910-S51	9	51	437
MT210345-P0210-S16	2	16	179	MT210345-P1210-S48	12	48	437
MT210345-P0410-S14	4	14	179	MT210345-S72	0	72	515
MT210345-P0610-S12	6	12	179	MT210345-P0610-S66	6	66	515
MT210345-P0810-S10	8	10	179	MT210345-P1210-S60	12	60	515
MT210345-P1010-S08	10	8	179	MT210345-P2410-S48	24	48	515
MT210345-P1210-S06	12	6	179	MT210345-P3610-S36	36	36	515
MT210345-P1410-S04	14	4	179	MT210345-S84	0	84	587
MT210345-P1610-S02	16	2	179	MT210345-P1210-S72	12	72	587
MT210345-S24	0	24	215	MT210345-P2410-S60	24	60	587
MT210345-P0410-S20	4	20	215	MT210345-P3610-S48	36	48	587
MT210345-P0610-S18	6	18	215	MT210345-S96	0	96	659
MT210345-P1210-S12	12	12	215	MT210345-P1210-S84	12	84	659
MT210345-P1810-S06	18	6	215	MT210345-P2410-S72	24	72	659
MT210345-P2410	24	0	215	MT210345-P3610-S60	36	60	659
MT210345-S30	0	30	251	MT210345-P4210-S54	42	54	659
MT210345-P0610-S24	6	24	251	MT210345-S108	0	108	737
MT210345-P1210-S18	12	18	251	MT210345-P1210-S96	12	96	737
MT210345-P1810-S12	18	12	251	MT210345-P2410-S84	24	84	737
MT210345-P2410-S06	24	6	251	MT210345-P3610-S72	36	72	737
MT210345-P3010	30	0	251	MT210345-P4810-S60	48	60	737

Note: N channels 10A rings parallel can be used as 1 channel N\*10A current. For example: 2 rings 10A parallel could be used as 1 wires 20A. 10A,5A (signal) can combine freely in any way.It can be customized based on standard slip ring,please contact customer service for more details.

## Specifications

Electrical Data		
Parameter	Value	
	Power	Signal
Rated Voltage	0~690VAC/VDC	0~440VAC/VDC
Insulation Resistance	≥1000MΩ/1000VDC	≥1000MΩ/500VDC
Lead Wires	AWG16#Teflon	AWG22#Teflon
Lead Length	Standard 300mm(adjustable)	
Insulation Strength	1000VAC@50Hz , 60s	
Electrical Noise	<0.01Ω	
Mechanical Data		
Parameter	Value	
Working Life	See Product Quality Level Table	
Rotating Speed	See Product Quality Level Table	
Working Temperature	-30°C~80°C	
Operating Humidity	0~85% RH	
Contact Material	See Product Quality Level Table	
Housing Material	Aluminium Alloy	
Torque	0.1N.m ; +0.03N.m/6rings	
Protection Grade	IP51	

## Product Quality Level Table

Products Level Code	Max Rotating Speed	Working Life	Contact Material
VC	150RPM	10 Million Revs	Precious Metal
VD	250RPM	20 Million Revs	Gold-plated

## Lead Wires Color Code

Ring	1	2	3	4	5	6	7	8	9	10	11	12
Color	BLK	RED	YEL	GRN	BLU	WHT	BLK	RED	YEL	GRN	BLU	WHT

(6 wires for 1 group color, from 7-12, repeat the same color as 1...6, indicated with number code pipe)

## Options For Custom Slip Ring

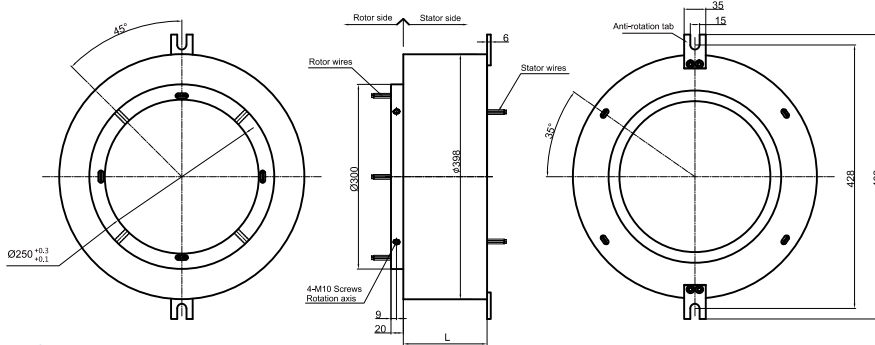
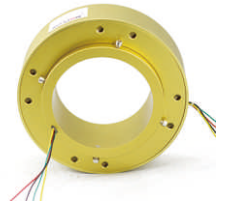
Note: Below special demands can be customized. According, the delivery date will be extended 3 to 15 days; also the cost will be increased 30% to 50%. Most of our basic parts are standard and modular, which can save the cost and lead time.

- ① Cable exit way and cable length can be customized for both rotor and stator.
- ② Because of the structure limitation, length/height/OD can be customized on your request.
- ③ Support current or signal up to 200 rings.
- ④ Aviation plug, terminal and heat-shrink tube are optional.
- ⑤ Hybrid slip ring for Yaskawa/Panasonic/Siemens servo control signal, power line and encoder line.
- ⑥ Support mixed high speed data transmission (including Ethernet, USB, RS232, RS485, Profibus, CanBUS, CANOPEN, DeviceNET, CC-LINK, ProfiNET, EtherCAT, etc.)
- ⑦ Can combine temperature control signal with thermocouple signal.
- ⑧ Special environment can be customized, such as quakeproof, high temperature, etc.
- ⑨ Hybrid Pneumatic/hydraulic and electric slip ring can be mixed.
- ⑩ High temperature can up to 500 degrees.
- ⑪ High pressure can up to 110KV
- ⑫ Rotating speed can up to 10000RPM
- ⑬ Maximum current can up to 5000 amperes.
- ⑭ Military grade
- ⑮ Optional for underwater IP65, IP68.
- ⑯ Optional for stainless steel housing

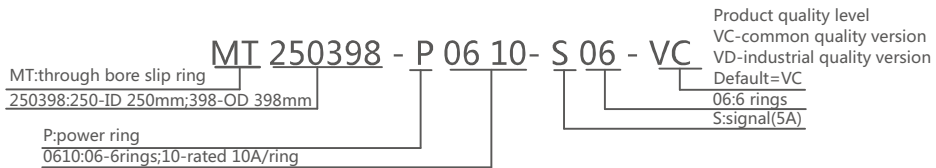
Technical support: technical@moflon.com

# MT250398 Series

MT250398 series provides a 250mm through-bore for routing of hydraulic or pneumatic lines or hydraulic or pneumatic rotating shaft installation, and a compact 398mm outside diameter, features long life, fiber brush contact technology for ultimate performance in many challenging applications. MT250398 series are standard, off-the-shelf products, Color-coded lead wires are used on both the stator and rotor for simplified electrical connections. It can transmit signal(2A), 10A, multiple 10A current when 360° degree free rotating.



## Part# Explanation



## Part# List

MT250398 Series Parts# List							
Part#	10A	Signal or 5A	Length-L (mm)	Part#	10A	Signal or 5A	Length-L (mm)
MT250398-S02	0	2	104	MT250398-S36	0	36	382
MT250398-P0210	2	0	104	MT250398-P0610-S30	6	30	382
MT250398-S03	0	3	112	MT250398-P1210-S24	12	24	382
MT250398-P0310	3	0	112	MT250398-P3610	36	0	382
MT250398-S06	0	6	136	MT250398-S42	0	42	430
MT250398-P0210-S04	2	4	136	MT250398-P0610-S36	6	36	430
MT250398-P0410-S02	4	2	136	MT250398-P1210-S30	12	30	430
MT250398-P0610	6	0	136	MT250398-S48	0	48	478
MT250398-S12	0	12	184	MT250398-P0610-S42	6	42	478
MT250398-P0210-S10	2	10	184	MT250398-P0910-S39	9	39	478
MT250398-P0310-S09	3	9	184	MT250398-P1210-S36	12	36	478
MT250398-P0610-S06	6	6	184	MT250398-P1810-S30	18	30	478
MT250398-P0810-S04	8	4	184	MT250398-P2410-S24	24	24	478
MT250398-P1010-S02	10	2	184	MT250398-S60	0	60	577
MT250398-P1210	12	0	184	MT250398-P0610-S54	6	54	577
MT250398-S18	0	18	232	MT250398-P0910-S51	9	51	577
MT250398-P0210-S16	2	16	232	MT250398-P1210-S48	12	48	577
MT250398-P0410-S14	4	14	232	MT250398-S72	0	72	676
MT250398-P0610-S12	6	12	232	MT250398-P0610-S66	6	66	676
MT250398-P0810-S10	8	10	232	MT250398-P1210-S60	12	60	676
MT250398-P1010-S08	10	8	232	MT250398-P2410-S48	24	48	676
MT250398-P1210-S06	12	6	232	MT250398-P3610-S36	36	36	676
MT250398-P1410-S04	14	4	232	MT250398-S84	0	84	772
MT250398-P1610-S02	16	2	232	MT250398-P1210-S72	12	72	772
MT250398-S24	0	24	280	MT250398-P2410-S60	24	60	772
MT250398-P0410-S20	4	20	280	MT250398-P3610-S48	36	48	772
MT250398-P0610-S18	6	18	280	MT250398-S96	0	96	868
MT250398-P1210-S12	12	12	280	MT250398-P1210-S84	12	84	868
MT250398-P1810-S06	18	6	280	MT250398-P2410-S72	24	72	868
MT250398-P2410	24	0	280	MT250398-P3610-S60	36	60	868
MT250398-S30	0	30	328	MT250398-P4210-S54	42	54	868
MT250398-P0610-S24	6	24	328	MT250398-S108	0	108	970
MT250398-P1210-S18	12	18	328	MT250398-P1210-S96	12	96	970
MT250398-P1810-S12	18	12	328	MT250398-P2410-S84	24	84	970
MT250398-P2410-S06	24	6	328	MT250398-P3610-S72	36	72	970
MT250398-P3010	30	0	328	MT250398-P4810-S60	48	60	970

Note: N channels 10A rings parallel can be used as 1 channel N\*10A current. For example: 2 rings 10A parallel could be used as 1 wires 20A. 10A,5A (signal) can combine freely in any way.It can be customized based on standard slip ring,please contact customer service for more detmalls.

## Specifications

Electrical Data		
Parameter	Value	
	Power	Signal
Rated Voltage	0~690VAC/VDC	0~440VAC/VDC
Insulation Resistance	≥1000MΩ/1000VDC	≥1000MΩ/500VDC
Lead Wires	AWG16#Teflon	AWG22#Teflon
Lead Length	Standard 300mm(adjustable)	
Insulation Strength	1000VAC@50Hz , 60s	
Electrical Noise	<0.01Ω	
Mechanical Data		
Parameter	Value	
Working Life	See Product Quality Level Table	
Rotating Speed	See Product Quality Level Table	
Working Temperature	-30°C~80°C	
Operating Humidity	0~85% RH	
Contact Material	See Product Quality Level Table	
Housing Material	Aluminium Alloy	
Torque	0.1N.m ; +0.03N.m/6rings	
Protection Grade	IP51	

## Product Quality Level Table

Products Level Code	Max Rotating Speed	Working Life	Contact Material
VC	150RPM	10 Million Revs	Precious Metal
VD	250RPM	20 Million Revs	Gold-plated

## Lead Wires Color Code

Ring	1	2	3	4	5	6	7	8	9	10	11	12
Color	BLK	RED	YEL	GRN	BLU	WHT	BLK	RED	YEL	GRN	BLU	WHT

(6 wires for 1 group color, from 7-12, repeat the same color as 1...6, indicated with number code pipe)

## Options For Custom Slip Ring

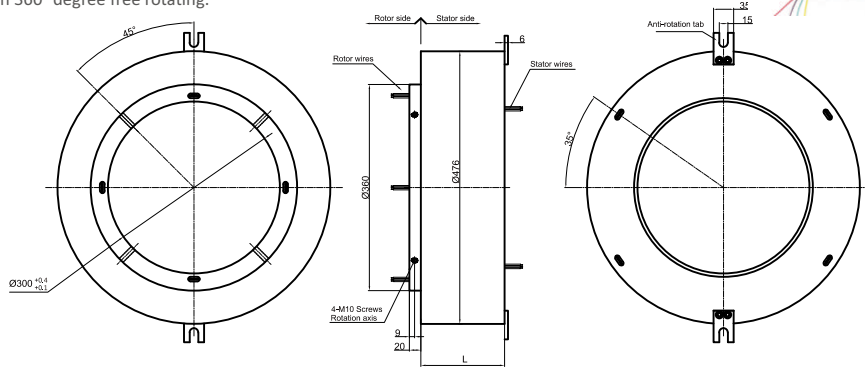
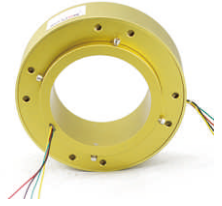
Note: Below special demands can be customized. According, the delivery date will be extended 3 to 15 days; also the cost will be increased 30% to 50%. Most of our basic parts are standard and modular, which can save the cost and lead time.

- ① Cable exit way and cable length can be customized for both rotor and stator.
- ② Because of the structure limitation, length/height/OD can be customized on your request.
- ③ Support current or signal up to 200 rings.
- ④ Aviation plug, terminal and heat-shrink tube are optional.
- ⑤ Hybrid slip ring for Yaskawa/Panasonic/Siemens servo control signal, power line and encoder line.
- ⑥ Support mixed high speed data transmission (including Ethernet, USB, RS232, RS485, Profibus, CanBUS, CANOPEN, DeviceNET, CC-LINK, ProfiNET, EtherCAT, etc.)
- ⑦ Can combine temperature control signal with thermocouple signal.
- ⑧ Special environment can be customized, such as quakeproof, high temperature, etc.
- ⑨ Hybrid Pneumatic/hydraulic and electric slip ring can be mixed.
- ⑩ High temperature can up to 500 degrees.
- ⑪ High pressure can up to 110KV
- ⑫ Rotating speed can up to 10000RPM
- ⑬ Maximum current can up to 5000 amperes.
- ⑭ Military grade
- ⑮ Optional for underwater IP65, IP68.
- ⑯ Optional for stainless steel housing

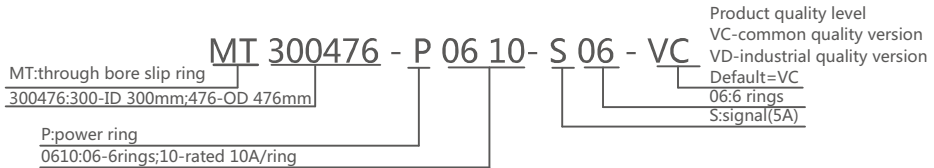
Technical support: [technical@moflon.com](mailto:technical@moflon.com)

# MT300476 Series

MT300476 series provides a 300mm through-bore for routing of hydraulic or pneumatic lines or hydraulic or pneumatic rotating shaft installation, and a compact 476mm outside diameter, features long life, fiber brush contact technology for ultimate performance in many challenging applications. MT300476 series are standard, off-the-shelf products, Color-coded lead wires are used on both the stator and rotor for simplified electrical connections. It can transmit signal(2A), 10A, multiple 10A current when 360° degree free rotating.



## Part# Explanation



## Part# List

MT300476 Series Parts# List							
Part#	10A	Signal or 5A	Length-L (mm)	Part#	10A	Signal or 5A	Length-L (mm)
MT300476-S02	0	2	114	MT300476-S36	0	36	392
MT300476-P0210	2	0	114	MT300476-P0610-S30	6	30	392
MT300476-S03	0	3	122	MT300476-P1210-S24	12	24	392
MT300476-P0310	3	0	122	MT300476-P3610	36	0	392
MT300476-S06	0	6	146	MT300476-S42	0	42	440
MT300476-P0210-S04	2	4	146	MT300476-P0610-S36	6	36	440
MT300476-P0410-S02	4	2	146	MT300476-P1210-S30	12	30	440
MT300476-P0610	6	0	146	MT300476-S48	0	48	488
MT300476-S12	0	12	194	MT300476-P0610-S42	6	42	488
MT300476-P0210-S10	2	10	194	MT300476-P0910-S39	9	39	488
MT300476-P0310-S09	3	9	194	MT300476-P1210-S36	12	36	488
MT300476-P0610-S06	6	6	194	MT300476-P1810-S30	18	30	488
MT300476-P0810-S04	8	4	194	MT300476-P2410-S24	24	24	488
MT300476-P1010-S02	10	2	194	MT300476-S60	0	60	584
MT300476-P1210	12	0	194	MT300476-P0610-S54	6	54	584
MT300476-S18	0	18	242	MT300476-P0910-S51	9	51	584
MT300476-P0210-S16	2	16	242	MT300476-P1210-S48	12	48	584
MT300476-P0410-S14	4	14	242	MT300476-S72	0	72	686
MT300476-P0610-S12	6	12	242	MT300476-P0610-S66	6	66	686
MT300476-P0810-S10	8	10	242	MT300476-P1210-S60	12	60	686
MT300476-P1010-S08	10	8	242	MT300476-P2410-S48	24	48	686
MT300476-P1210-S06	12	6	242	MT300476-P3610-S36	36	36	686
MT300476-P1410-S04	14	4	242	MT300476-S84	0	84	782
MT300476-P1610-S02	16	2	242	MT300476-P1210-S72	12	72	782
MT300476-S24	0	24	290	MT300476-P2410-S60	24	60	782
MT300476-P0410-S20	4	20	290	MT300476-P3610-S48	36	48	782
MT300476-P0610-S18	6	18	290	MT300476-S96	0	96	878
MT300476-P1210-S12	12	12	290	MT300476-P1210-S84	12	84	878
MT300476-P1810-S06	18	6	290	MT300476-P2410-S72	24	72	878
MT300476-P2410	24	0	290	MT300476-P3610-S60	36	60	878
MT300476-S30	0	30	338	MT300476-P4210-S54	42	54	878
MT300476-P0610-S24	6	24	338	MT300476-S108	0	108	980
MT300476-P1210-S18	12	18	338	MT300476-P1210-S96	12	96	980
MT300476-P1810-S12	18	12	338	MT300476-P2410-S84	24	84	980
MT300476-P2410-S06	24	6	338	MT300476-P3610-S72	36	72	980
MT300476-P3010	30	0	338	MT300476-P4810-S60	48	60	980

Note: N channels 10A rings parallel can be used as 1 channel N\*10A current. For example: 2 rings 10A parallel could be used as 1 wires 20A. 10A,5A (signal) can combine freely in any way.It can be customized based on standard slip ring,please contact customer service for more details.

## Specifications

Electrical data		
Parameter	Value	
	Power	Signal
Rated Voltage	0~690VAC/VDC	0~440VAC/VDC
Insulation Resistance	≥1000MΩ/1000VDC	≥1000MΩ/500VDC
Lead Wires	AWG16#Teflon	AWG22#Teflon
Lead Length	Standard 300mm(adjustable)	
Insulation Strength	1000VAC@50Hz , 60s	
Electrical Noise	<0.01Ω	
Mechanical Data		
Parameter	Value	
Working Life	See Product Quality Level Table	
Rotating Speed	See Product Quality Level Table	
Working temperature	-30°C~80°C	
Operating Humidity	0~85% RH	
Contact Material	See Product Quality Level Table	
Housing Material	Aluminium Alloy	
Torque	0.1N.m ; +0.03N.m/6rings	
Protection grade	IP51	

## Product Quality Level Table

Products Level Code	Max Rotating Speed	Working Life	Contact Material
VC	150RPM	10 Million Revs	Precious Metal
VD	250RPM	20 Million Revs	Gold-plated

## Lead Wires Color Code

Ring	1	2	3	4	5	6	7	8	9	10	11	12
Color	BLK	RED	YEL	GRN	BLU	WHT	BLK	RED	YEL	GRN	BLU	WHT

(6 wires for 1 group color, from 7-12, repeat the same color as 1...6, indicated with number code pipe)

## Options For Custom Slip Ring

Note: Below special demands can be customized. According, the delivery date will be extended 3 to 15 days; also the cost will be increased 30% to 50%. Most of our basic parts are standard and modular, which can save the cost and lead time.

- ① Cable exit way and cable length can be customized for both rotor and stator.
- ② Because of the structure limitation, length/height/OD can be customized on your request.
- ③ Support current or signal up to 200 rings.
- ④ Aviation plug, terminal and heat-shrink tube are optional.
- ⑤ Hybrid slip ring for Yaskawa/Panasonic/Siemens servo control signal, power line and encoder line.
- ⑥ Support mixed high speed data transmission (including Ethernet, USB, RS232, RS485, Profibus, CanBUS, CANOPEN, DeviceNET, CC-LINK, ProfiNET, EtherCAT, etc.)
- ⑦ Can combine temperature control signal with thermocouple signal.
- ⑧ Special environment can be customized, such as quakeproof, high temperature, etc.
- ⑨ Hybrid Pneumatic/hydraulic and electric slip ring can be mixed.
- ⑩ High temperature can up to 500 degrees.
- ⑪ High pressure can up to 110KV
- ⑫ Rotating speed can up to 10000RPM
- ⑬ Maximum current can up to 5000 amperes.
- ⑭ Military grade
- ⑮ Optional for underwater IP65, IP68.
- ⑯ Optional for stainless steel housing

Technical support: [technical@moflon.com](mailto:technical@moflon.com)