

YOUR WISHES ARE OUR BENCHMARK



















Cable reels

Catalogue



GIFAS
ELECTRIC

06

<p>Solid rubber cable reels</p> <p>Pages 3 - 5</p>	<p>501 series</p>  <p>Page 3</p>	<p>502 series</p>  <p>Page 4</p>	<p>503 series</p>  <p>Page 5</p>			
<p>Sheet steel cable reels</p> <p>Pages 6 - 8</p>	<p>504 series</p>  <p>Page 6</p>	<p>521 series</p>  <p>Page 7</p>	<p>523 series</p>  <p>Page 8</p>			
<p>Plastic cable reels</p> <p>Pages 9 - 10</p>	<p>511K series</p>  <p>Page 9</p>	<p>512K series</p>  <p>Pages 10</p>				
<p>Pull-out cable reels</p> <p>Pages 11 - 16</p>	<p>520 series Mini</p>  <p>Page 11</p>	<p>520 series XF</p>  <p>Pages 12-13</p>	<p>520 series XL</p>  <p>Pages 12-13</p>	<p>520 series PRC</p>  <p>Pages 14-15</p>	<p>520 series PRL</p>  <p>Pages 14-15</p>	<p>520 series 1700</p>  <p>Page 16</p>
<p>Installation of pull-out cable reels</p> <p>Hose reels</p> <p>Pages 17 - 19</p>	<p>Installation instructions for pull-out cable reels</p>  <p>Page 17</p>	<p>Mini series</p>  <p>Page 18</p>	<p>810 series</p>  <p>Page 18</p>	<p>813 series</p>  <p>Page 18</p>	<p>8000 series</p>  <p>Page 18</p>	<p>Practical examples</p>  <p>Page 19</p>

Series 501



With residual current protection device PRCD-S



Product properties

- Solid, halogen-free solid rubber reel bodies, full protective insulation
- Stable steel tube frame, zinc-plated and black powder-coated
- GIFAS PROFLEXX H07 cable
- High mechanical stability
- UV and weather resistant
- Impact-resistant, ageing-resistant and maintenance-free
- Ergonomic shape, good carrying comfort
- With thermal overload protection
- Internal wedge brake
- With insulating handle coating (BGI 608)
- Built in accordance with VDE 0620 Part 300
- K2-identification



With halogen headlights and 120 VA/24 V transformer



Securing of the plug outlet in the winding mechanism

Technical data

Dimensions: WxHxD= 250x345x205 mm
 Dimensions of reel body: Diam. 240 mm, width 110 mm
 Weight (without cable): approx. 3.7 kg
 Protection category: IP 54
 Protection class: II

Capacities

- 2x1.0 mm² / 35 m
- 2x1.5 mm² / 25 m
- 3x1.0 mm² / 30 m
- 3x1.5 mm² / 25 m
- 5x1.5 mm² / 20 m



Individual components



Internal wedge brake

Art. No.	Input	Output	Fuses	Symbols
259764	20m 3x1.5mm ² with protective contact plug	3 protective contact sockets		
255873	25m 3x1.5mm ² with protective contact plug	3 protective contact sockets		
259199	20m 3x1.5mm ² with protective contact plug	3 protective contact sockets	Personal safety switches PRCD-S 16/0.03A	
259804	25m 3x1.5mm ² with protective contact plug	3 protective contact sockets	Personal safety switches PRCD-S 16/0.03A	
259805	5m 2x1.5mm ² with contour plug	25m 2x2.5 mm ² with hand-held halogen headlight spotlight 100W/24V	5A microfuse	
259807	5m 2x1.5mm ² with contour plug	25m 2x2.5 mm ² with hand-held halogen headlight broad beam 75W/24V	5A microfuse	

All components can be supplied as spare parts. Other equipment options available upon request.

502 series



With residual current protection device PRCD-S

Product properties

- Solid, halogen-free solid rubber reel bodies, full protective insulation
- Stable steel tube frame, zinc-plated and black powder-coated
- GIFAS PROFLEX H07 cable
- High mechanical stability
- UV and weather resistant
- Impact-resistant, ageing-resistant and maintenance-free
- Ergonomic shape, good carrying comfort
- With thermal overload protection
- Internal wedge brake
- With insulating handle coating (BGI 608)
- Built in accordance with VDE 0620 and 0623 Part 300 and 100
- K2-identification

Technical data

Dimensions:	WxHxD=300x410x230 mm
Dimensions of reel body:	Ø 300 mm
Weight (without cable):	approx. 4.0 kg
Protection category:	IP 54
Protection class:	II



PRCD-S



Internal wedge brake

Capacities

- 3x1.5 mm² / 50 m
- 5x1.5 mm² / 40 m
- 5x2.5 mm² / 30 m

Art. No.	Input	Output	Fuses	Symbols
253882	50m 3x1.5 mm ² with protective contact plug	3 protective contact sockets		
259808	50m 3x1.5 mm ² with protective contact plug	3 protective contact sockets	Personal safety switch PRCD-S 16/0.03A	
259809	50m 3x1.5 mm ² with protective contact plug	4 protective contact sockets	RCCB 25/0.03A 2p	
259594	30m 5x2.5 mm ² with CEE 5x16A/400V	2 protective contact sockets 1 CEE 5x16A/400V		
259869	40m 3x2.5 mm ² with protective contact plug	3 protective contact sockets	Personal safety switches PRCD-S 16/0.03A	
259907	35m 3x2.5 mm ² with protective contact plug	3 protective contact sockets	Personal safety switches PRCD-S 16/0.03A	
259808	50m 3x1.5 mm ² with protective contact plug	3 protective contact sockets	Personal safety switches PRCD-S 16/0.03A	
261560	50m 3x1.5 mm ² with protective contact plug	4 protective contact sockets	Personal safety switches PRCD-S 16/0.03A	

All components can be supplied as spare parts. Other equipment options available upon request.

503 series



Can be driven over by transport trolleys. Cable reel with protection and thermal overload protection. Protective device located behind 2 transparent protective caps.

Product properties of cable reels

- Solid, halogen-free solid rubber reel bodies, full protective insulation
- Stable steel tube frame, zinc-plated and black powder-coated
- GIFAS PROFLEXX H07 cable
- High mechanical stability
- UV and weather resistant
- Impact-resistant, ageing-resistant and maintenance-free
- Ergonomic shape, good carrying comfort
- With thermal overload protection
- Internal wedge brake
- With insulating handle coating (BGI 608)
- Built in accordance with VDE 0620 and 0623 Part 300 and 100
- K2-identification

Technical data

Dimensions: WxHxD=340x480x300 mm
 Dimensions of reel body: Ø 350 mm
 Weight (without cable): approx. 5.5 kg
 Protection category: IP 54
 Protection class: II

Capacities

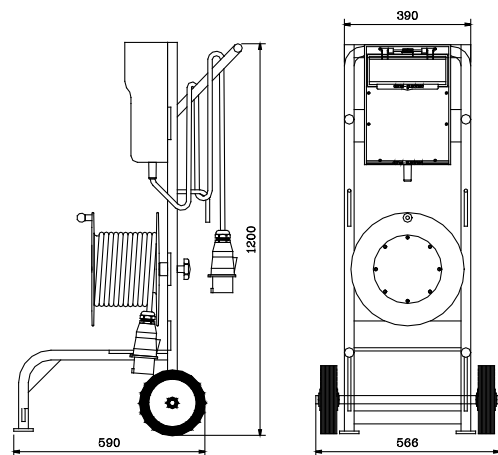
- 3x1.5 mm²/ 90 m
- 5x1.5 mm²/ 70 m
- 5x2.5 mm²/ 50 m
- 5x4.0 mm²/ 30 m
- 5x6.0 mm²/ 25 m

Product properties of transport trolleys

- Solid, stable transport trolley with low-lying centre of gravity
- Black powder-coated
- Solid rubber tyres diam. 200mm bearing-mounted

Technical data for transport trolleys

Dimensions: HxWxD= 1200x590x566 mm
 Weight (complete): approx. 70.0 kg



Art. No.	Designation	Input	Output	Fuses	Symbols
254911	Solid rubber cable reel 503	50m 5x2.5 mm ² with CEE 5x16A/400V	1 CEE 5x16A/400V 2 protective contact sockets	No fuse	
255370	Solid rubber cable reel 503	35m 5x6.0 mm ² with CEE 5x32A/400V	1 CEE 5x32A/400V 1 CEE 5x16A/400V 2 protective contact sockets	LS 16A 3p C LS 16A 1p C RCCB 40/0.03A/4p	
249591	Transport trolley comprising solid rubber distributor 7800 and solid rubber reel body 503 to hold supply cable	25m 5x6.0 mm ² with CEE 5x32A/400V	2 CEE 5x32A/400V 2 CEE 5x16A/400V 3 protective contact sockets	Neozed 25A Neozed 16A LS 16A 1p B RCCB 40/0.03A/4p	

All components can be supplied as spare parts. Other equipment options available upon request.

504 series



Transport trolley for cable reel 504

Product properties of cable reels

- GIFAS PROFLEXX H07 cable
- "Traffic-light red" signal colour, RAL 3020
- Supporting frame and reel body made from powder-coated steel tubing
- Shaft and inner tube made from A2 stainless steel
- Sophisticated construction - stable design
- With thermal overload protection

Technical data

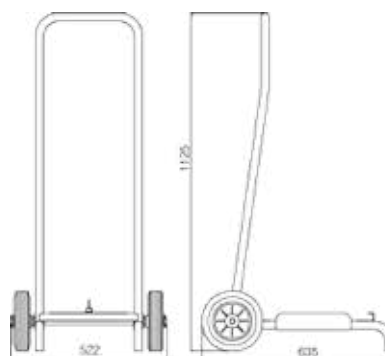
Dimensions:	WxHxD=440x572x360 mm
Dimensions of reel body:	Diam. 440 mm, width 280 mm
Empty weight:	approx. 10.5 kg
Protection category:	IP X4

Capacities

- 5x2.5 mm²/ 100 m
- 5x6.0 mm²/ 50 m
- 5x10.0 mm²/ 35 m

Product properties of transport trolleys

- Solid, stable transport trolley with low-lying centre of gravity
- Black powder-coated
- Solid rubber tyres diam. 200 mm bearing-mounted



Art. No.	Designation	Input	Output	Fuses	Symbols
233355	Sheet steel cable reel 504	50m 5x6.0 mm ² with CEE 5x32A/400V	2 CEE 5x32A/400V 2 protective contact sockets	RCCB/LS 16/0.03A 2p C	
233778	Sheet steel cable reel 504	50m 5x6.0 mm ² with CEE 5x32A/400V	2 CEE 5x32A/400V		
238126	Sheet steel cable reel 504	25m 5x10.0 mm ² with CEE 5x63A/400V	1 CEE 5x63A/400V		
233777	Transport trolley, black powder-coated, with two solid rubber tyres of diameter 200mm				

All components can be supplied as spare parts. Other equipment options available upon request.

521 series



Cable reel 521 with integrated solid rubber distributor type 7800

Product properties of cable reels

- GIFAS PROFLEXX H07 cable
- "Traffic-light red" signal colour, RAL 3020
- Bearing-mounted drum body made from sheet steel
- Carrying handles on either side, can also be used as a crank
- Insulated handle
- Low centre of gravity
- Large, solid rubber wheels
- Built in accordance with VDE 0620 and 0623 Part 2

Product properties of solid rubber distributors

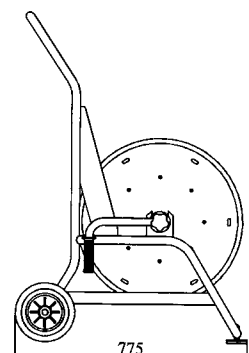
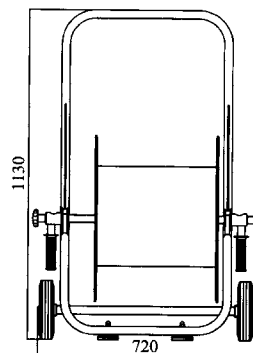
- Superlative mechanical stability
- Alkali / acid resistance
- High protection category IP 65
- Flame-resistant, halogen-free,
- Self-extinguishing as per VDE 0471
- Ready-to-connect, tested solution for
- Safe and rapid assembly
- Grey / black solid rubber housing made from special GIFAS rubber mixture

Technical data

Dimensions: WxHxD = 720x1130x775 mm
 Dimensions of reel body: Diam. 570 mm, width 420 mm
 Empty weight: approx. 24 kg
 Protection category: IP X4

Capacities

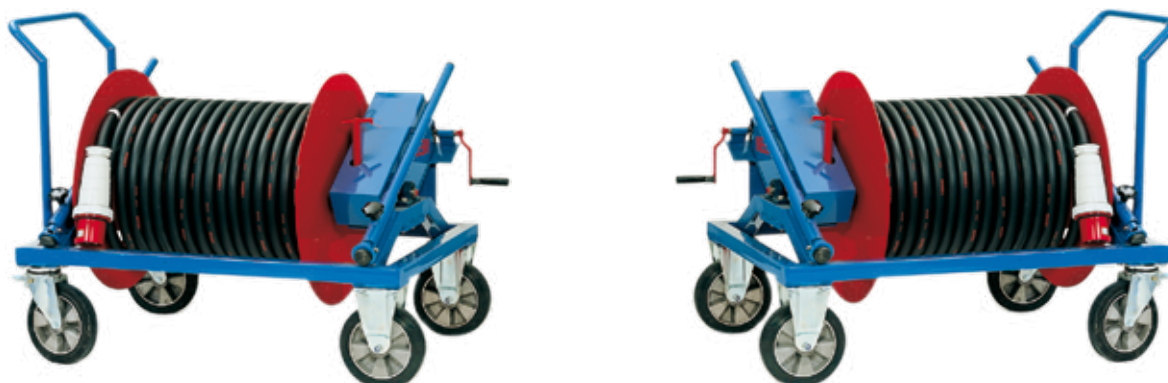
5x6.0 mm²/ 100 m
 5x10.0 mm²/ 80 m
 5x16.0 mm²/ 60 m



Art. No.	Designation	Input	Output	Fuses	Symbols
130137	Sheet steel cable reel 521, moveable	100m 5x6.0 mm ² with CEE 5x32A/400V	1 CEE 5x32A/400V		
206388	Sheet steel cable reel 521, moveable	50m 5x16.0 mm ² with CEE 5x63A/400V	1 CEE 5x63A/400V		
210711	Sheet steel cable reel 521, moveable	30m 5x35.0 mm ² with CEE 5x125A/400V	1 CEE 5x125A/400V		
207356	Sheet steel cable reel 521, moveable, with mounted solid rubber distributor 7800	25m 5x16.0 mm ² with CEE 5x63A/400V	2 CEE 5x32A/400V 2 CEE 5x16A/400V 3 protective contact sockets	Neozed 25A Neozed 16A LS 16A 1p B RCCB 25/0.03A, 4p	

All components can be supplied as spare parts. Other equipment options available upon request.

523 series



CE T

Product properties

- Sheet steel cable reel with bearing-mounted drum body made from sheet steel and special powder coating
- Frame construction made from 50 x 50 square sheet steel, also with special powder coating
- Adjustable drum brake for controlled unrolling
- Additional securing option against unwanted unrolling
- Hand crank with free running
- Equipped with two castors and fixed wheels
- Gear with back stop
- Accessories can be supplied for forklift truck transport.
- Towing bar can be supplied to accommodate a car coupling.

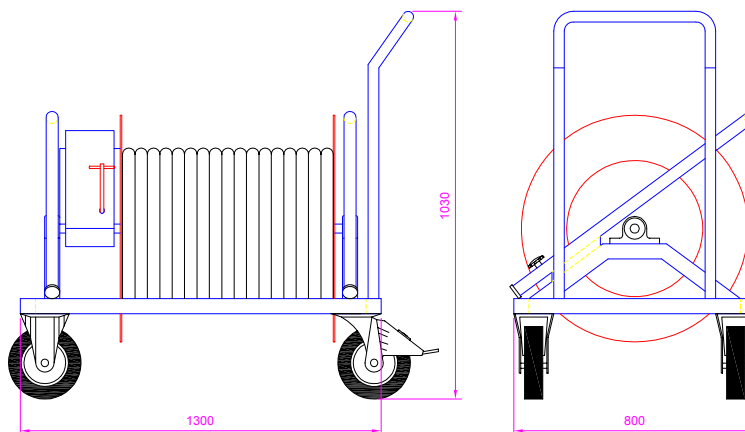
Art. No.	Equipment
241100	without
241101	80 m H07RN-F 5x35 mm ² CEE plug 5x125A/400V CEE coupling 5x125A/400V
241246	100 m H07RN-F 5x16 mm ² CEE plug 5x63A/400V CEE coupling 5x63A/400V

Technical data

Dimensions: WxHxD= 1300x1030x800 mm
 Dimensions of reel body: diam. 450 mm, width 700 mm
 Empty weight: approx. 80 kg

Capacities

80 m 5x35 mm² H07RN-F
 100 m 5x16 mm² H07RN-F



All components can be supplied as spare parts. Other equipment options available upon request.

511K series



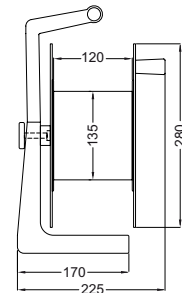
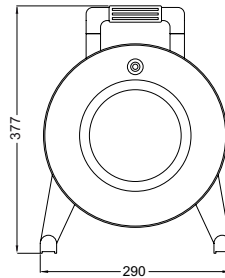
With residual current protection device PRCD-S

Product properties

- Robust reel bodies from Polycarbonat black, fully protective-in isolation
- Rack black Polycarbonat
- High mechanical stability
- UV and weather resistant
- Maintenance-free, impact-resistant, ageing-resistant
- All outlets individually replaceable
- Serially with protection against overheating
- After VDE 0620 and 0623 parts 300 and 100 built

Technical data

Dimensions: WxHxD=290x377x225mm
 Dimensions of reel body: Ø 280mm, width 120mm
 Empty weight: approx. 1,2kg



Capacities

3x1,5mm² / 20m
 3x1,5mm² / 25m

Art. No.	Input	Output	Fuses	Symbols
280593	20m 3x1,5mm ² with protective contact plug	3 protective contact sockets 16A/230V		
281135	20m 3x1,5mm ² with protective contact plug	3 protective contact sockets 16A/230V	Personal safety switch PRCD-S 15/0.03A	
279313	25m 3x1,5mm ² with protective contact plug	3 protective contact sockets 16A/230V		
281134	25m 3x1,5mm ² with protective contact plug	3 protective contact sockets 16A/230V	Personal safety switch PRCD-S 15/0.03A	

All components can be supplied as spare parts.

512K series



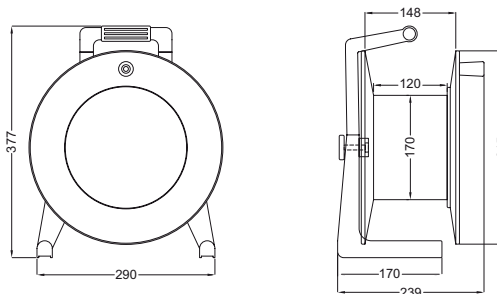
With residual current protection device PRCD-S

Product properties

- Robust reel bodies from Polycarbonat black, fully protective-in isolation
- Rack black Polycarbonat
- High mechanical stability
- UV and weather resistant
- Maintenance-free, impact-resistant, ageing-resistant
- All outlets individually replaceable
- Serially with protection against overheating
- After VDE 0620 and 0623 parts 300 and 100 built
- K2 labeling on request

Technical data

Dimensions: WxHxD=290x377x239mm
 Dimensions of reel body: Ø 315mm, width 148mm
 Empty weight: ca. 1,7kg



Capacities

- 3x1,5mm² / 40m
- 3x1,5mm² / 50m
- 5x2,5mm² / 25m

Art.-Nr.	Eingang	Ausgang	Absicherung	Symbole
280597	40m 3x1,5mm ² mit Schutzkontaktstecker	4 Schutzkontaktsteckdosen 16A/230V		
281137	40m 3x1,5mm ² mit Schutzkontaktstecker	4 Schutzkontaktsteckdosen 16A/230V	Personenschutzschalter PRCD-S 15/0,03A	
279315	50m 3x1,5mm ² mit Schutzkontaktstecker	4 Schutzkontaktsteckdosen 16A/230V		
281136	50m 3x1,5mm ² mit Schutzkontaktstecker	4 Schutzkontaktsteckdosen 16A/230V	Personenschutzschalter PRCD-S 15/0,03A	
279316	25m 5x2,5mm ² mit CEE-Stecker 5x16A/400V	1 CEE Steckdose 5x16A/400V 3 Schutzkontaktsteckdosen 16A/230V		

All components can be supplied as spare parts.

520/ Mini series



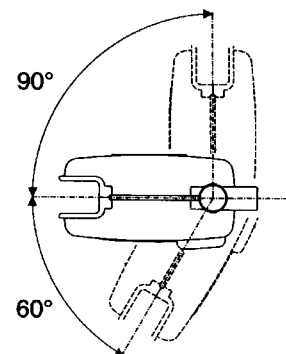
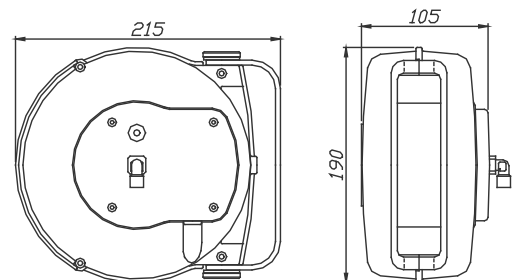
Product properties

- Fully equipped and pre-set
- Impact-resistant plastic
- Incl. wall mount
- Factory-fitted with lock (can be set to continuous tension)
- Thermal protection
- Small, easy to handle, sturdy, easy to assemble
- Standard: IEC 1242

Technical data

Pull-out length: 5 to 7 m
 Slip ring: 2 to 3-pole
 Operating voltage: max. 230 V
 Cable: 7m 2x1.0 mm² Thermoplast cable
 H05VV-F plus 1 m free-hanging
 Output coiled: 1100 W
 Output uncoiled: 1600 W
 Dimensions WxHxD: 105x190x215 mm
 Weight: approx. 2.3 kg
 Protection category: IP 42

Art. No.	Number of wires	Cross-section in mm ²	Cable length coiled + 1.0 m free	Output coiled in W	Output uncoiled in W
242554	2	1.0	7	1100	1600
242553	2	1.5	5	1300	1800
241760	3	1.0	6	1100	1600
242551	3	1.5	5	1400	1900



520/XF and 520/XL series



520/XF series



520/XL series



Product properties

- Fully-equipped and pre-set pull-out cable reels
- Sealed casing made from impact-resistant plastic
- Incl. fastening clip
- Thermal protection (2 to 5-pole)
- Special cable black, end cut smooth, no connection coupling
- Factory-fitted with lock, can be set to continuous tension
- Cable back stop with toothed lock every 50 cm
- Easy to disengage if the cable is to be continuously under tension
- Easy to handle, sturdy, easy to assemble
- Standard: IEC 1242

Technical data

Pull-out length:	5,5 to 12,5m
Slip ring:	2 to 5-pole
Operating voltage:	max. 400V
Protection category XF:	IP 42
XL:	IP 43
Cable:	H05VV-F or H07RN-F

520/XF accessories

To reduce the ingress of dirt at the cable inlet, a covering cap is available as an accessory. This can be fitted at a later date and increases the protection category to IP 43.

Cover securing mechanism

When the cover is fitted and in the case of a vertical cable uncoiling / coiling motion, the reel body is secured into the fastening clip.

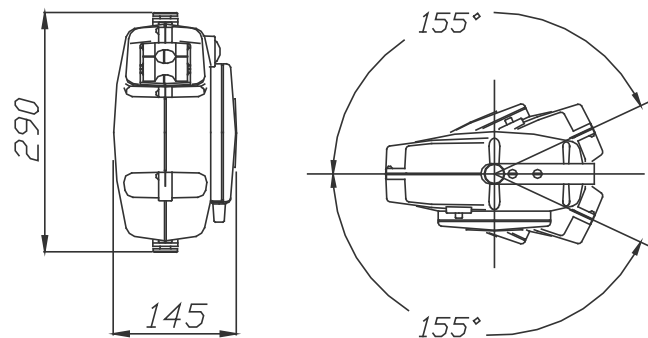
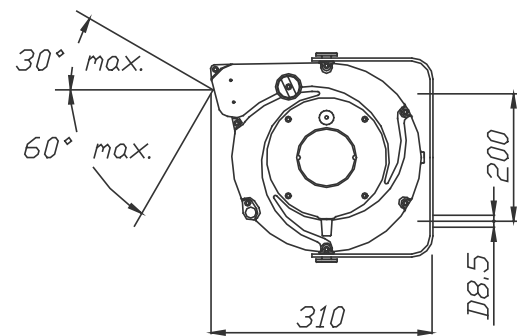
Installation instructions

Suitable installation options (see page 15)

A, C, G and N swivel motion

E and F fixed position with adjusting screw

Limited use with cover cap (cable inlet)



520/XF and 520/XL series

Art. No.	Designation	Number of wires	Cross-section in mm ²	Cable length coiled + 1.5m free	Output coiled in W	Output uncoiled in W	Current strength of the collector
242646	520/XF series	2	1.0	10	900	1400	10
242535	520/XF series	2	1.0	14	900	1400	10
242648	520/XF series	3	1.0	8	900	1400	10
242500	520/XF series	3	1.0	12.5	900	1400	10
242541	520/XF series	4	1.0	10.5	1100	1600	10
242533	520/XF series	5	1.0	7.5	1000	1500	10
242222	520/XF series	2	1.5	11	1100	1600	10
242649	520/XF series	3	1.5	7	1200	1800	10
242283	520/XF series	3	1.5	10	1200	1800	10
242652	520/XF series	4	1.5	5.5	1350	1900	10
242540	520/XF series	4	1.5	8	1350	1900	10
242532	520/XF series	5	1.5	5.5	1350	1900	10
242612	520/XF series	2	2.5	8.5	1750	2300	10
242715	520/XF series	3	2.5	7	1850	2500	20
241324	520/XF series	4	2.5	5.5	2000	2700	20
242702	520/XL series	2	1.0	10	900	1400	10
242694	520/XL series	2	1.0	14	900	1400	10
242703	520/XL series	3	1.0	8	900	1400	10
242737	520/XL series	3	1.0	12.5	900	1400	10
242695	520/XL series	4	1.0	10.5	1100	1600	10
242697	520/XL series	5	1.0	7.5	1000	1500	10
242735	520/XL series	2	1.5	11	1100	1600	10
242704	520/XL series	3	1.5	7	1200	1800	10
242738	520/XL series	3	1.5	10	1200	1800	10
242696	520/XL series	4	1.5	8	1350	1900	10
242698	520/XL series	5	1.5	5.5	1350	1900	10
242736	520/XL series	2	2.5	8.5	1750	2300	10
242739	520/XL series	3	2.5	7	1850	2500	20
242740	520/XL series	4	2.5	5.5	2000	2700	20

520/XF accessories

Art. No.	Designation
242284	520/XF covering cap
242723	Optional device

520/PRC and 520/PRL series



520/PRC series



520/PRL series



Product properties

- Fully-equipped and pre-set pull-out cable reels
- Sealed casing made from cast aluminium (silver-grey)
- Fastening clip
- Return spring made from special steel
- Special cable black, end cut smooth, no connection coupling
- Factory-set to continuous tension, adjustable locking mechanism
- Easy to handle, sturdy
- Easy to assemble
- Standard: IEC 1242

Technical data

Pull-out length:	8 to 24m
Slip ring:	2 to 5-pole
Operating voltage:	max. 400V
Protection category PRC:	IP 42
PRL:	IP 43
Cable:	H05VV-F or H07RN-F

520/PRC accessories

To reduce the ingress of dirt at the cable inlet, a covering cap is available as an accessory. This can be fitted at a later date and increases the protection category to IP 43.

Installation instructions

Suitable installation options (see page 15)

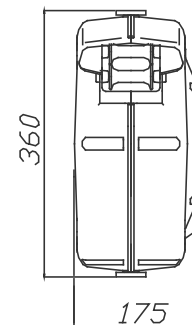
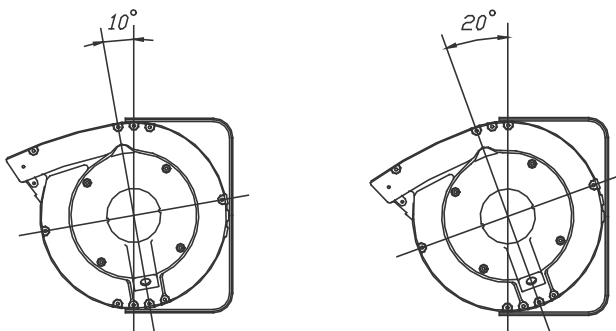
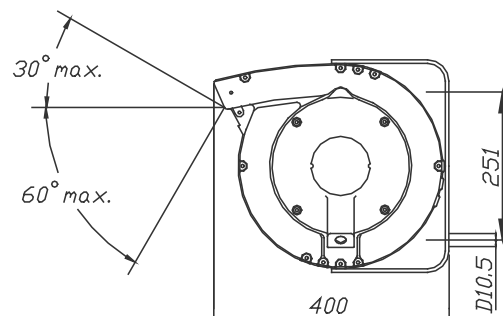
A, C, G and N = swivel motion

E and F = fixed position with adjusting screw

Limited use with cover cap (cable inlet)

Cover securing mechanism

When the cover is fitted and in the case of a vertical cable uncoiling / coiling motion, the reel body is secured into the fastening clip.



520/PRC and 520/PRL series

Art. No.	Designation	Number of wires	Cross-section in mm ²	Cable length coiled +2.0m free	Output coiled in W	Output uncoiled in W	Current strength of the collector
242574	520/PRC series	3	1.0	24	1000	1700	10
242576	520/PRC series	4	1.0	24	800	1400	10
242579	520/PRC series	5	1.0	16	800	1400	10
242572	520/PRC series	2	1.5	24	1100	1800	10
242543	520/PRC series	3	1.5	20	1100	1800	10
242390	520/PRC series	3	1.5	24	1100	1800	10
242544	520/PRC series	4	1.5	16	1100	1800	10
242577	520/PRC series	4	1.5	21	1100	1800	10
242580	520/PRC series	5	1.5	11	1500	2200	10
242542	520/PRC series	3	2.5	12	2000	3000	20
242575	520/PRC series	3	2.5	15	2000	3000	20
242545	520/PRC series	4	2.5	10	2000	3000	20
242501	520/PRC series	4	2.5	15	2000	3000	20
242546	520/PRC series	5	2.5	8	2000	3000	20
242391	520/PRC series	5	2.5	10	2000	3000	20
242741	520/PRL series	2	1.0	24	1000	1700	10
242744	520/PRL series	3	1.0	24	1000	1700	10
242747	520/PRL series	4	1.0	24	800	1400	10
242751	520/PRL series	5	1.0	16	800	1400	10
242742	520/PRL series	2	1.5	24	1100	1800	10
242754	520/PRL series	3	1.5	20	1100	1800	10
242745	520/PRL series	3	1.5	24	1100	1800	10
242756	520/PRL series	4	1.5	16	1100	1800	10
242749	520/PRL series	4	1.5	21	1100	1800	10
242752	520/PRL series	5	1.5	11	1500	2200	10
242755	520/PRL series	3	2.5	12	2000	3000	20
242746	520/PRL series	3	2.5	15	2000	3000	20
242757	520/PRL series	4	2.5	10	2000	3000	20

520PRC accessories

Art. No.	Designation
261182	Covering cap

520/PRL accessories

Art. No.	Designation
242723	Optional device

520/1700 series



Type 1



Type 2

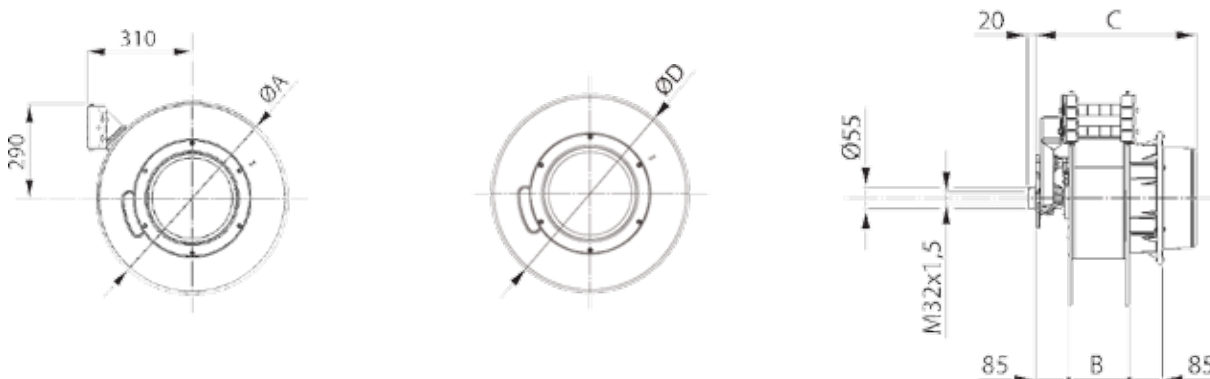
Product properties

- Pull-out cable reel made from hot-varnished aluminium and steel
- On the back is an additional bracket made from aluminium for secure ceiling or wall mounting.
- Optimum traction of the cable thanks to a steel spring
- The cable reel can be supplied with H05VV-F or H07RN-F cables or no cable.

Technical data

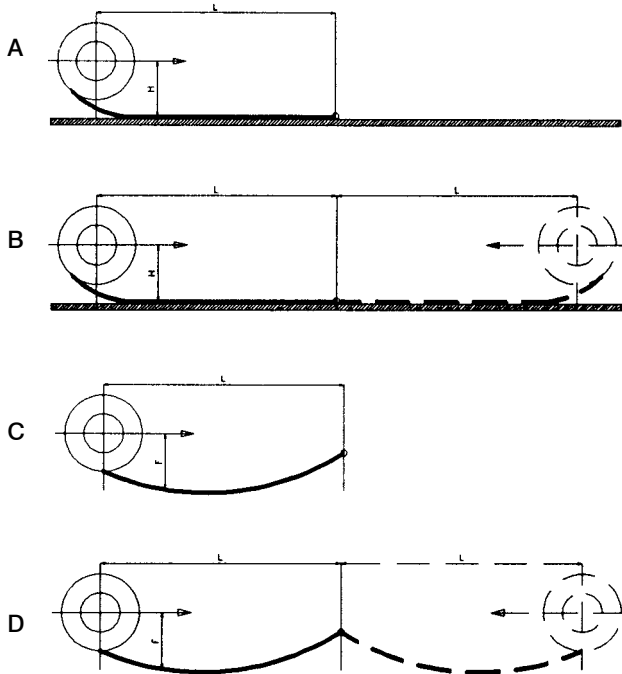
Ambient temperature:	-5°C/+40°C
Max. coiling speed:	40 m per minute
Insulating voltage slip ring:	2.5KV
Protection category:	IP65
Cable:	H05VV-F or H07RN-F
Suitable:	- for 1 to 24-pin cables with a pull-out length of max. 53 m - up to 63A

Art. No.	Number of wires	Cross-section in mm ²	Cable length coiled + 2.0 m Free	Output when coiled in W	Output when uncoiled in W	Cable	Type	Dimensions A	Dimensions B	Dimensions C	Dimensions D
262751	5	6.0	15	17000	22000	H05VV-F	1	Diam. 550	160	410	
269415	3	2.5	29	2000	3500	H07RN-F	1	Diam. 440	160	365	
271838	3	2.5	39	2000	3500	H07RN-F	1	Diam. 440	160	365	
273423	12	1.5	15	max. 4.5 A		H05VV-F	2		190	440	Diam. 550
274147	4	2.5	53	6000	8500	H07RN-F	2		190	395	Diam. 550
274434	4	2.5	29	6000	8500	H07RN-F	1	Diam. 550	160	365	
274707	5	6.0	14	17000	22000	H07RN-F	1	Diam. 550	160	410	
276813	5	6.0	24	17000	22000	H05VV-F	1	Diam. 550	160	410	



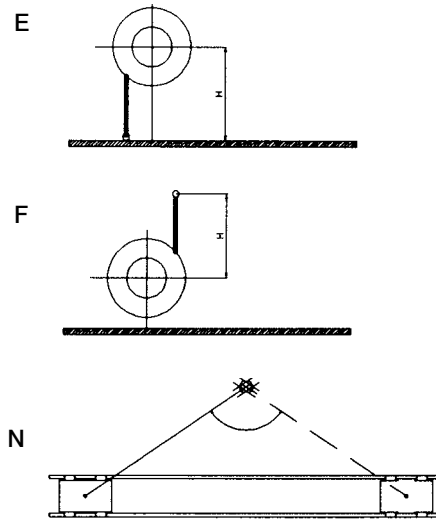
Installation instructions for pull-out cable reels (electric)

Drum mounted on moving part, horizontal uncoiling



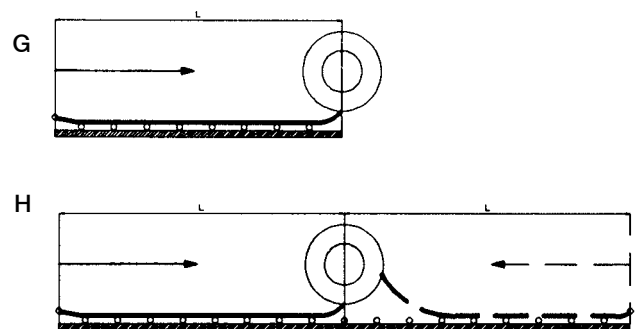
- A Uncoiled cable at the base, uncoiling in one direction. Optimum installation with max. usage options.
- B Uncoiled cable at the base, uncoiling in two directions.
- C Cable hanging, uncoiling in one direction. Small number of wires, short length.
- D Cable hanging, uncoiling in two directions.

Drum mounted on fixed-location or mobile part, vertical uncoiling



- E With drum mounted at the top. Reduced meter count due to weight of the cable.
- F With drum mounted at the bottom. Optimum installation with max. usage options.
- N With hanging cable. Swivel max. 350°.

Drum mounted on fixed-location part, horizontal uncoiling.



- G Cable on castors, uncoiling in one direction.
- H Cable on castors, uncoiling in two directions.

When the length and cross-section increase, the reel's own weight increases too. The cable installation options are therefore restricted. The most suitable types of application are marked on the cable reel type with the letters A, B, C, D, E, F, G, H or N.

Hose reels for air / water

Product properties

- Type Mini / 810 housing made from impact-resistant plastic
- Type 813 PR housing made from cast aluminium, enamelled yellow
- Incl. wall mount
- Factory-fitted with lock, set at approx. every 50 cm
- Can be converted to continuous tension
- Simple assembly

Product properties, type 8000

- Large model for air and cold water
- Reel body and carrying frame made from zinc-plated sheet steel
- Simple installation
- Large variety of assembly options



Mini series

Art. No.	Hose length in m*	Internal diam. in mm	Connection	pressure in bar	Dimensions WxHxD in mm	Weight in kg
242816	5.5	6	1/4"	12	135x285x302	approx. 3.9

* coiled + 1 m free



810 series

Art. No.	Hose length in m*	Internal diam. in mm	Connection	pressure in bar	Dimensions WxHxD in mm	Weight in kg
242590	9	8	1/4"	15	130x315x330	approx. 4.0

* coiled + 1 m free



813 PR series

Art. No.	Hose length in m*	Internal diam. in mm	Connection	pressure in bar	Dimensions WxHxD in mm	Weight in kg
242592	10	8	1/4"	12	175x251x400	10.50
242594	7	10	3/8"	12	175x251x400	10.50

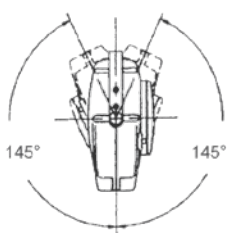
* coiled + 2m free



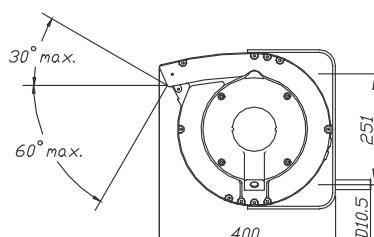
Type 8000

Art. No.	Hose length in m*	Internal diam. in mm	Connection	pressure in bar	Dimensions WxHxD in mm	Weight in kg
242595	20	10	3/8"	20	180x430x600	19
242596	11	13	1/2"	20	180x430x600	16

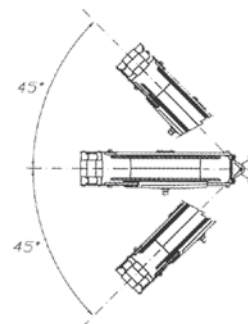
* coiled + 1 m free



Type 810



Type 813 PR



Type 8000, can be swivelled with additional equipment



CONTACT US TODAY

New products and specialist solutions, along with the latest product catalogue, can be found on our website:

www.gifas.de



Technical modifications reserved 05/2015

GIFAS
ELECTRIC

GIFAS ELECTRIC GmbH
Borsigstrasse 9
41469 Neuss
GERMANY

Phone +49 2137 105-0
Fax: +49 2137 105-230
verkauf@gifas.de
www.gifas.de